

# ET369B; ET369G ET369W

Octagon

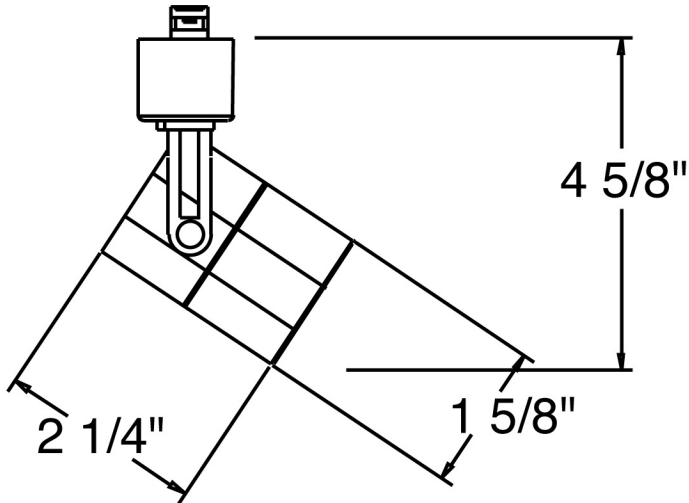
## PROJECT INFORMATION:

Project Name: \_\_\_\_\_

Fixture Type: \_\_\_\_\_

Date: \_\_\_\_\_

## DIMENSIONS



## PRODUCT SPECIFICATIONS

All track heads except HID have adjustable track adapter to allow for use with single circuit and double circuit tracks.

- Octagon
- Metal Housing
- 90 degree vertical movement of 358 degree rotation

**Lamp:** 35W MR11 12V

**Transformer:** Not Included - Low Voltage Track or Monopoint Only

**Dimensions:** Length: 2 1/4"  
Diameter: 1 5/8"  
Max. Extension: 4 5/8"

**Finish:** (B) Black, (G) Gold, (W) White

**Labels:** U.L. or E.T.L. listed

**LAMP NOT INCLUDED**

## CATALOG NUMBER

**Example:** ET369B (Black)  
ET369G (Gold)  
ET369W (White)