

# ET545B

# ET545W

Miniature Projector

## PROJECT INFORMATION:

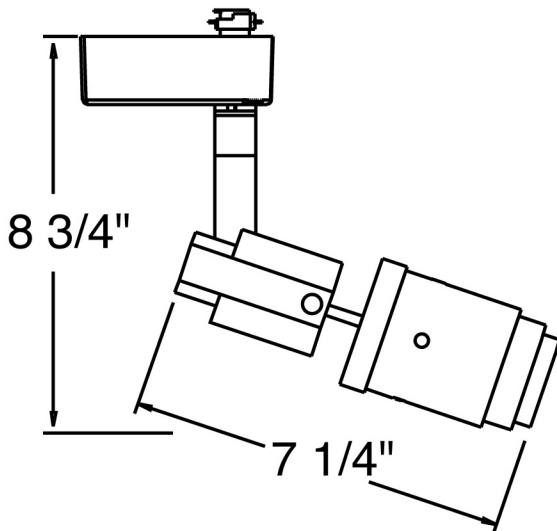
Project Name: \_\_\_\_\_

Fixture Type: \_\_\_\_\_

Date: \_\_\_\_\_

ET545B; ET545W

## DIMENSIONS



## PRODUCT SPECIFICATIONS

All track heads except HID have adjustable track adapter to allow for use with single circuit and double circuit tracks.

- Miniature Projector
- Metal Housing
- 90 degree vertical movement of 358 degree rotation
- Includes Transformer
- 4 Internal Adjustable Side Shutters

**Lamp:** 50W MR16 12V (included)

**Transformer:** Low Voltage Electronic (included)

**Dimensions:** Length: 7 1/4"  
Diameter: 2 1/4"  
Max. Extension: 8 3/4"

**Finish:** (B) Black, (W) White

**Labels:** U.L. or E.T.L. listed

**LAMP NOT INCLUDED**

## CATALOG NUMBER

**Example:** ET545B (Black)  
ET545W (White)

