

4" Low Voltage Airtight IC Housing

4" new construction housing with a magnetic or electronic transformer. Uses a GU5.3 Bi-Pin socket for use with Bi-Pin LED MR16 lamps.



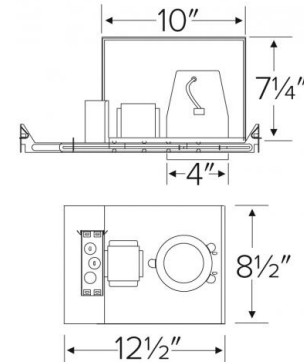
Features

- Double wall IC construction, for use in insulated ceilings.
- Trims sold separately.
- Lamp: 50W MAX, 12V, MR16 GU/GX5.3 bi-pin LED/Halogen (not included).
- Lamp Holder: MR16 GU/GX5.3 bi-pin socket.
- Note: Use only dimmers specifically designed for use with magnetic transformers. Low voltage luminaires may produce audible sound when used with dimmers.

Specifications

Wattage	20W - 50W
Voltage	120V or 277V
Lamp Type	GU5.3 BiPin
Damp Location	Listed

Dimensions



Technical Details

Construction:

- Double wall IC rated for direct contact with insulation, for use in IC or non-IC conditions.
- Housing adjusts in frame to accommodate up to 1 1/4" ceiling thickness.
- Airtight housing with gasket to restrict airflow in accordance with ASTM E-283 air-tight requirements.
- Steel housing for greater heat dissipation. Stamped galvanized steel frame.

Installation: Designed for ceiling plenums where 2x6 joists or taller joists are used. High strength hanger bars can easily be nailed to joists. Maximum hole cutout is 4 1/4". Suitable for T-grid and drop ceiling applications. See installation sheet for detailed information.

Junction Box: Positioned to accommodate straight conduit runs. Seven 1/2" trade size conduit knockouts, four 3/4" knockouts with pry-out knockout slots. 4 Romex pryouts with strain relief.

Hanger Bars: Pre-installed hanger bars with True Nail facilitate easy installation in regular lumber, engineered lumber, and laminated beams. Integral T-bar slots for easy installation in T-bars. Spans up to 24" and can be repositioned 90°. Score lines allow for tool-free hanger bar size reduction. Integral leveling flange allows for single-person installation while aligning the housings with the joists.

Electrical:

- Input Voltage: 120V AC.
- Output Voltage: 12V AC.
- Magnetic or electronic transformer available.
- Thermally protected against improper lamping.

Trims: Compatible with ELCO 4" MR16 trims.

Dimmability:

- Magnetic transformer dims with MLV type dimmers.
- Electronic transformer dims with ELV type dimmers.
- See dimming compatibility list for a full list of compatible dimmers.
- Note: Lamp used may affect dimmability.

Lamp: Designed for use with GU5.3 MR16 LED lamps.

Listings: UL Listed for Damp Location. UL Listed for Wet Location with select trims. UL Listed for Feed Through. UL Listed for Direct Contact with Insulation and Combustible Material. Airtight per ASTM E-283. Install

Product Numbers

Item	Description	Lamp type	Watts	Voltage
EL1499ICA	Magnetic Transformer	GU5.3 BiPin	50W	120V
EL1499ICEA	Electronic Transformer	GU5.3 BiPin	50W	120V
EL1499IC20A	Magnetic Transformer	GU5.3 BiPin	20W	120V
EL1499ICA-277	Magnetic Transformer	GU5.3 BiPin	50W	277V
EL1499IC35A	Magnetic Transformer	GU5.3 BiPin	35W	120V
EL1499ICA-L	Economy Version	GU5.3 BiPin	50W	120V

a JA8-2016-E lamp/luminaire for Title 24 Compliance.

Warranty: ELCO Lighting warrants products will be free from defects in materials and workmanship for a period of 3 years.
