

# 4" Low Voltage Airtight Universal Housing



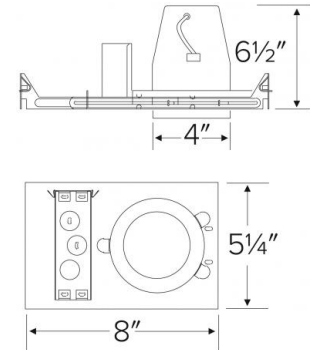
## Features

- Single wall airtight construction.
- Trims sold separately.
- Lamp: 75W MAX 12V MR16 GU/GX5.3 bi-pin Halogen (not included).
- Lamp Holder: MR16 GU/GX5.3 bi-pin socket.
- Note: Use only dimmers specifically designed for use with magnetic low voltage transformer.

## Specifications

<b>Wattage</b>	75W
<b>Voltage</b>	120V
<b>Dimmable</b>	MLV
<b>Lamp Type</b>	GU5.3 BiPin
<b>Damp Location</b>	Listed

## Dimensions



## Technical Details

### Construction:

- Single wall new construction.
- Housing adjusts in frame to accommodate up to 1 1/4" ceiling thickness.
- Airtight housing with gasket to restrict airflow in accordance with ASTM E-283 air-tight requirements.
- Steel housing for greater heat dissipation. Stamped galvanized steel frame.

**Installation:** Designed for ceiling plenums where 2x8 joists or taller joists are used. High strength hanger bars can easily be nailed to joists. Maximum hole cutout is 4 1/4". Suitable for T-grid and drop ceiling applications. See installation sheet for detailed information.

**Junction Box:** Positioned to accommodate straight conduit runs. Seven 1/2" trade size conduit knockouts, four 3/4" knockouts with pry-out knockout slots. 4 Romex pryouts with strain relief.

**Hanger Bars:** Pre-installed hanger bars with True Nail facilitate easy installation in regular lumber, engineered lumber, and laminated beams. Integral T-bar slots for easy installation in T-bars. Spans up to 24" and can be repositioned 90°. Score lines allow for tool-free hanger bar size reduction. Integral leveling flange allows for single-person installation while aligning the housings with the joists.

### Electrical:

- Input Voltage: 120V AC.
- Output Voltage: 12V AC.
- Thermally protected against improper lamping.

**Trims:** Compatible with ELCO 4" MR16 trims.

### Dimmability:

- Magnetic transformer dims with MLV type dimmers.
- See dimming compatibility list for a full list of compatible dimmers.
- Note: Lamp used may affect dimmability.

**Lamp:** Designed for use with GU5.3 MR16 Halogen lamps.

**Listings:** UL Listed for Damp Location. UL Listed for Wet Location with select trims. UL Listed for Feed Through. UL Listed for Direct Contact with Insulation and Combustible Material. Airtight per ASTM E-283.

**Warranty:** ELCO Lighting warrants products will be free from defects in materials and workmanship for a period of 3 years.

## Product Numbers

Item	Lamp type	Watts	Voltage	Dimming
<b>EL1499-75A</b>	GU5.3 BiPin	75W	120V	MLV

