

EL99PL; EL99PL-HP EL99PL-277; EL99PLE

4" Compact Fluorescent
Vertical Downlight

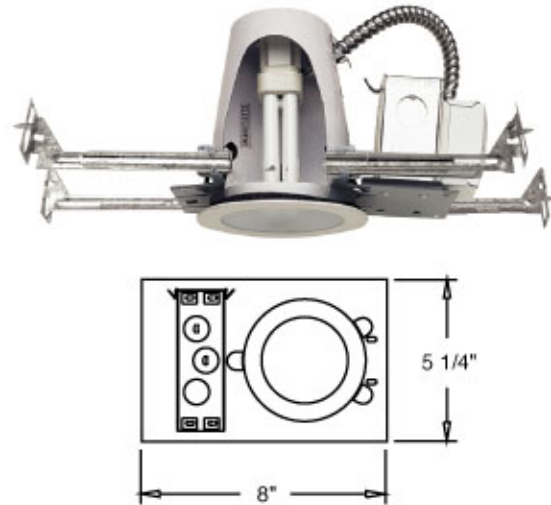
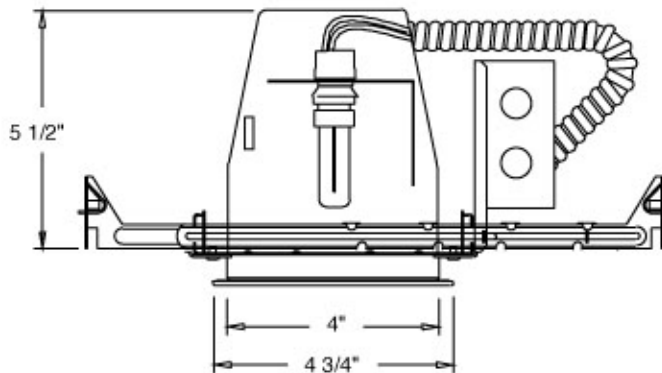
PROJECT INFORMATION:

Project Name: _____

Fixture Type: _____

Date: _____

DIMENSIONS



PRODUCT SPECIFICATIONS

Housing Features: Integral thermal protector guards against improper lamping. Single wall construction.

Adjustable socket bracket allows the use of different lamp types and sizes as well as proper and consistent lamp positioning.

Lamp: Designed for (1) 13W Quad tube or twin tube compact fluorescent lamp

Trim Ring: Polycarbonate trim ring, designed to conceal ceiling cut-out.

EL99PL = (1) 13W 2 Pin PL/Quad 120V
N.P.F. Magnetic Ballast

EL99PL-HP = (1) 13W 2 Pin PL/Quad 120V
H.P.F. Magnetic Ballast

EL99PL-277 = (1) 13W 2 Pin PL/Quad 277V
H.P.F. Magnetic Ballast

EL99PLE = (1) 13W 4 Pin Quad 120/277V
Electronic Ballast

INSTALLATION

Junction Box: Pre-wired junction box provided with 1/2" & 3/4" knockout, U.L. listed / C.U.L. listed for through branchwiring, maximum (8) No. 12 AWG branch circuit conductors (4 in, 4 out). Junction box provided with removable access plates.

Mounting: Hanger Bars span 24" joists and can be repositioned 90 degrees

Mounting Frame: Stamped steel material and painted for corrosion resistance

Labels:

- U.L. listed for damp locations
- U.L. listed for feed through

CATALOG NUMBER

Example: EL99PL - EL999C

See trims page for variety of trims available