

3" Remodel Airtight Miniature Housing

3" airtight miniature housing for remodel applications. For use with 50W GU10 MR16 lamp.



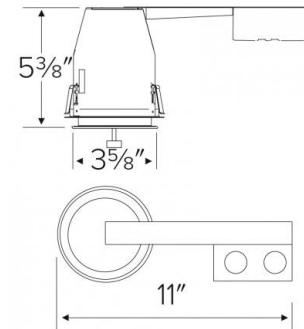
Features

- Single wall construction.
- For use in non-insulated ceilings, where insulation must be kept 3" from all sides of fixture.
- Integral thermal protector guards against improper lamping.
- Lamp: 50W MAX 120V GU10 MR16.
- Lamp Holder: Twist-and-lock GU10 MR16 lampholder.
- Trims sold separately.

Specifications

Wattage	50W
Voltage	120V
Lamp Type	GU10
Damp Location	Listed

Dimensions



Technical Details

Construction:

- Housing adjusts in frame to accommodate up to 1 1/4" ceiling thickness.
- Airtight housing with gasket to restrict airflow in accordance with ASTM E-283 air-tight requirements.
- Steel housing for greater heat dissipation. Stamped galvanized steel frame.

Installation: Designed for ceiling plenums where 2x6 joists or taller joists are used. Maximum hole cutout is 3 5/8". Suitable for T-grid and drop ceiling applications. See installation sheet for detailed information.

Junction Box: Positioned to accommodate straight conduit runs. Seven 1/2" trade size conduit knockouts, four 3/4" knockouts with pry-out knockout slots. 4 Romex pryouts with strain relief.

Electrical:

- Input Voltage: 120V AC.
- Thermally protected against improper lamping.

Trims: Compatible with ELCO 3" MR16 trims.

Lamp: Designed for use with GU10 MR16 LED lamps.

Dimmability:

- Dimmability based on lamp.

Listings:

- UL Listed for Damp Location.
- UL Listed for Wet Location with select trims.
- UL Listed for Feed Through.
- Airtight per ASTM E-283.

Product Numbers

Item	Lamp type	Watts	Voltage
EL39RA	GU10	50W	120V