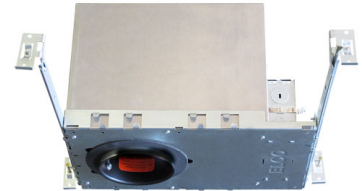


# 3" Low Voltage Airtight IC Housing for MR16 Bi-Pin



## Features

- Double wall IC construction, for use in insulated ceilings.
- Trims sold separately.
- Lamp: 50W MAX, 12V, MR16 GU5.3 BiPin LED/Halogen (not included)
- Note: Use only dimmers specifically designed for use with magnetic transformers.

## Technical Details

### Construction:

- IC rated for direct contact with insulation, for use in IC or non-IC conditions.
- Housing adjusts in frame to accommodate up to 1 1/4" ceiling thickness.
- Airtight housing with gasket to restrict airflow in accordance with ASTM E-283 air-tight requirements.
- Aluminum housing for greater heat dissipation. Stamped galvanized steel frame.

**Installation:** Designed for ceiling plenums where 2x6 joists or taller are used. High strength hanger bars can easily be nailed to joists. Maximum hole cutout is 3 3/4". Suitable for T-grid and drop ceiling applications. See installation sheet for detailed information.

**Junction Box:** Positioned to accommodate straight conduit runs. Seven 1/2" trade size pryout conduit knockouts, 4 Romex pryouts with strain relief.

**Hanger Bars:** Pre-installed hanger bars with True Nail facilitate easy installation in regular lumber, engineered lumber, and laminated beams. Integral T-bar slots for easy installation in T-grids. Spans up to 24" and can be repositioned 90°. Score lines allow for tool-free hanger bar size reduction. Integral leveling flange allows for single-person installation while aligning the housing with the joists.

### Electrical:

- Input Voltage: 120V AC.
- Output Voltage: 12V AC.
- Magnetic or electronic transformer available.
- Thermally protected against improper lamping.

**Trims:** Compatible with ELCO Low Voltage MR16 trims.

### Dimmability:

- Magnetic transformer dims with MLV type dimmers.
- Electronic transformer dims with ELV type dimmers.
- See dimming compatibility list for a list of compatible dimmers.
- Note: Lamp used may affect dimmability.

**Lamp:** Designed for use with GU5.3 MR16 lamps up to 50W.

**Listings:** UL Listed for Damp Location. UL Listed for Wet Location with Shower trims. UL Listed for Feed Through. UL Listed for Direct Contact with Insulation and Combustible Material. Airtight per ASTM E-283. Install a JA8-2016-E lamp/luminaire for Title 24 Compliance.

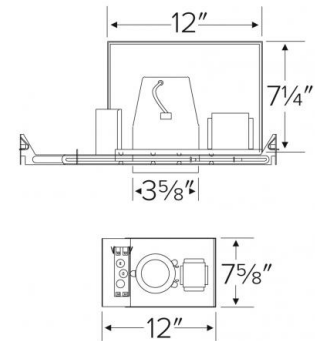
## Specifications

**Lamp Type** GU5.3 BiPin

**Damp Location** Listed

## Options

### Dimensions



## Product Numbers

| Item       | Description                          | Lamp type   |
|------------|--------------------------------------|-------------|
| EL2699ICA  | 3" Magnetic Low Voltage IC Housing   | GU5.3 BiPin |
| EL2699ICEA | 3" Electronic Low Voltage IC Housing | GU5.3 BiPin |

**Warranty:** ELCO Lighting warrants products will be free from defects in materials and workmanship for a period of 3 years.

---