

4" Low Voltage Miniature Universal Housing

4" new construction housing with a magnetic or electronic transformer. Uses a GU5.3 Bi-Pin socket for use with Bi-Pin LED MR16 lamps.



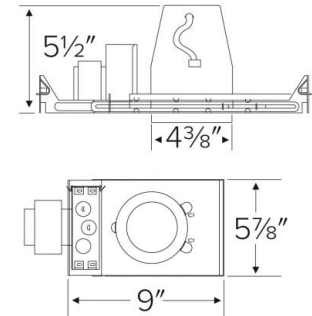
Features

- Single wall airtight construction.
- Trims sold separately.
- Lamp: 50W MAX 12V MR16 GU/GX5.3 bi-pin LED/Halogen (not included).
- Lamp Holder: MR16 GU/GX5.3 bi-pin socket.
- Note: Use only dimmers specifically designed for use with electronic transformer.

Specifications

Wattage	20W - 50W
Voltage	120V or 277V
Lamp Type	GU5.3 BiPin
Damp Location	Listed

Dimensions



Technical Details

Construction:

- Single wall new construction.
- Housing adjusts in frame to accommodate up to 1 1/4" ceiling thickness.
- Airtight housing with gasket to restrict airflow in accordance with ASTM E-283 air-tight requirements.
- Steel housing for greater heat dissipation. Stamped galvanized steel frame.

Installation: Designed for ceiling plenums where 2x6 joists or taller joists are used. High strength hanger bars can easily be nailed to joists. Maximum hole cutout is 4 1/4". Suitable for T-grid and drop ceiling applications. See installation sheet for detailed information.

Junction Box: Positioned to accommodate straight conduit runs. Seven 1/2" trade size conduit knockouts, four 3/4" knockouts with pry-out knockout slots. 4 Romex pryouts with strain relief.

Hanger Bars: Pre-installed hanger bars with True Nail facilitate easy installation in regular lumber, engineered lumber, and laminated beams. Integral T-bar slots for easy installation in T-bars. Spans up to 24" and can be repositioned 90°. Score lines allow for tool-free hanger bar size reduction. Integral leveling flange allows for single-person installation while aligning the housings with the joists.

Electrical:

- Input Voltage: 120V AC.
- Output Voltage: 12V AC.
- Magnetic or electronic transformer available.
- Thermally protected against improper lamping.

Trims: Compatible with ELCO 4" MR16 trims.

Dimmability:

- Magnetic transformer dims with MLV type dimmers.
- Electronic transformer dims with ELV type dimmers.
- See dimming compatibility list for a full list of compatible dimmers.
- Note: Lamp used may affect dimmability.

Lamp: Designed for use with GU5.3 MR16 LED lamps.

Listings: UL Listed for Damp Location. UL Listed for Wet Location with select trims. UL Listed for Feed Through. UL Listed for Direct Contact with Insulation and Combustible Material. Airtight per ASTM E-283. Install a JA8-2016-E lamp/luminaire for Title 24 Compliance.

Product Numbers

Item	Description	Lamp type	Watts	Voltage
EL1499A	Magnetic Transformer	GU5.3 BiPin	50W	120V
EL1499-20A	Magnetic Transformer	GU5.3 BiPin	20W	120V
EL1499EA	Electronic Transformer	GU5.3 BiPin	50W	120V
EL1499-277A	Magnetic Transformer	GU5.3 BiPin	50W	277V

Warranty: ELCO Lighting warrants products will be free from defects in materials and workmanship for a period of 3 years.
