

6" Sloped Shower Trim with Fresnel Lens

ELCO Slant allows for installation in sloped ceilings ranging from 2/12 (10°) to 12/12 (45°). Can be used in insulated ceilings. Fits in 2" x 8" joist construction.



Features

- Fresnel Shower Trim.
- Lamp: 60W MAX. A19 or LED.
- O.D.: 8" .

Specifications

Technical Details

Construction: Meticulously manufactured trim with a powder coated or anodized finish.

Installation: Clips securely mount trim into the housing and keeps ring flush with ceiling.

Compatible Housings: EL936ICA, EL918ICA, EL918RICA, EL900HT, EL900RT.

Lamp: Compatible with Medium base (E26) PAR type.

Options



White



Bronze



Copper



White Lexan



Gold



Nickel



Black

Product Numbers

Item	Finish
EL13BZ	Bronze
EL13CP	Copper
EL13G	Gold
EL13N	Nickel
EL13W	White
EL13SH	White Lexan
EL13B	Black

Product Number Builder Example: EL13BZ

6" Fresnel Shower Trim

Finish

EL13

BZ Bronze

CP Copper
G Gold
N Nickel
W White
SH White Lexan
B Black

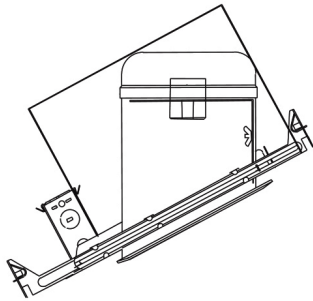
Product Custom Image

Compatible Products



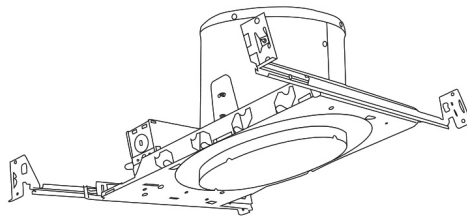
For use with **6" Sloped Trims**

6" E26 Base Sloped Ceiling Housings



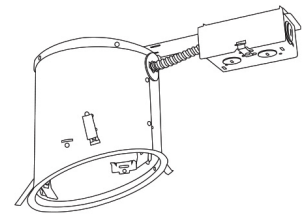
6" E26 Medium Base Sloped Housing
New Construction

CAT NO.	SPECIFICATIONS
EL936ICA	90W Max.



6" E26 Medium Base Sloped Housing
New Construction

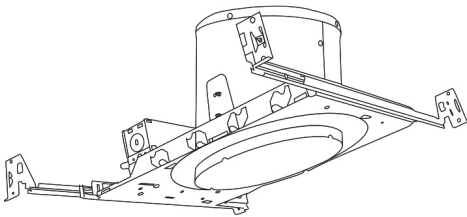
CAT NO.	SPECIFICATIONS
EL918ICA	75W Max.



6" E26 Medium Base Sloped Housing
Remodel

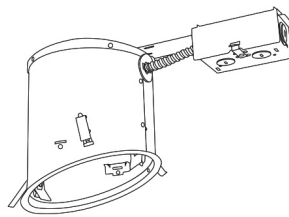
CAT NO.	SPECIFICATIONS
EL918RICA	75W Max.

6" E26 Base Sloped Ceiling Non-IC Housings



6" E26 Medium Base Sloped Housing
Remodel

CAT NO.	SPECIFICATIONS
EL900HT	150W Max.



6" E26 Medium Base Sloped Housing
Remodel

CAT NO.	SPECIFICATIONS
EL900RT	150W Max.