

# 6" Super Sloped Ceiling LED Baffle Inserts

Sloped Ceiling LED inserts feature an integral gimbal for  $\pm 25^\circ$  adjustability. Compatible with most incandescent and electronic low voltage dimmers.



## Features

- Sloped Ceiling LED Inserts feature an integral gimbal for  $\pm 25^\circ$  adjustability.
- Compatible with most incandescent and electronic low voltage dimmers.
- ENERGY STAR® Certified. California Title 24 (JA8-2016-E).
- Life Span: 50,000 hours L70.

## Specifications

<b>Wattage</b>	15W
<b>Lumens</b>	1050 lm
<b>Voltage</b>	120V
<b>Color Temp.</b>	2700K
<b>Dimmable</b>	Triac/ELV
<b>Lamp Type</b>	LED
<b>CRI</b>	90+
<b>Damp Location</b>	Listed

## Options



White



Black w/White Ring



Bronze

## Technical Details

**Optics:** LED light engine has frosted polycarbonate lens with reflector to diffuse light evenly while reducing glare.

**Construction:** Deep baffle trim with torsion springs to be held into the housing. High quality powder coat finish preventing rust and paint cracking on metal parts. Integral gimbal allows for  $25^\circ$  adjustability to match slope.

**Installation:** Designed to install into ELCO 6" Super Sloped ceiling housing with torsion springs brackets. For retrofitting other manufacturers sloped ceiling cans always test the product to ensure proper fit and function.

### Electrical:

- Driver connects to 120VAC power supply.
- High efficiency, high power factor > 0.9 driver.

### LED Technology:

- Accurate color rendering with 90+ CRI.
- Lumen Maintenance of 50,000 hours L70 Life based on LM80 standardized test results.
- Superior Thermal Management by utilizing aluminum diecast heat sink.

**Housings:** Compatible with EL971ICA, EL971RICA.

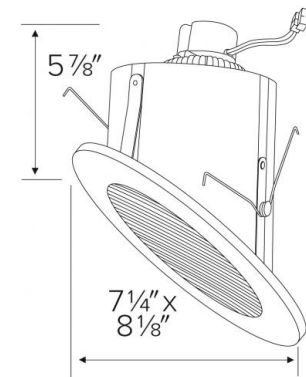
### Dimmability:

- Dimmable with most standard TRIAC and ELV type dimmers.
- Dimming range of 100% down to 10%. Dimming range may vary depending on dimmer model.
- For full list of dimmers refer to the Dimmer Compatibility List.

### Listings:

- UL Listed for Damp Location.
- ENERGY STAR® Certified.
- California Title 24 (JA8-2016-E).

## Dimensions



## Product Number

Item	Lamp type	Lumens	CCT	Watts	Voltage	Dimming	Finish
EL76327B	LED	1050 lm	2700K	15W	120V	Triac/ELV	Black w/White Ring

**Warranty:** ELCO Products are built to last. 5-year Limited warranty.

## Product Number Builder Example: EL76327B

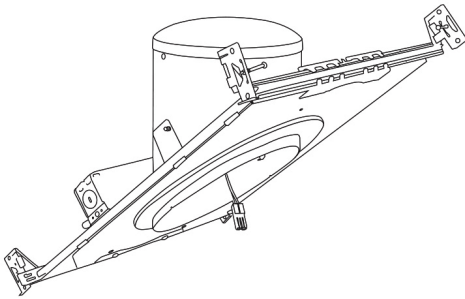
ELCO 6" Baffle Insert	Wattage	Color Temp.	Finish
<b>EL76</b>	<b>3</b> 15W <b>4</b> 18W	<b>27</b> 2700K <b>30</b> 3000K <b>CT5</b> 2700K - 5000K	<b>W</b> White <b>B</b> Black <b>BZ</b> Bronze

# Compatible Products

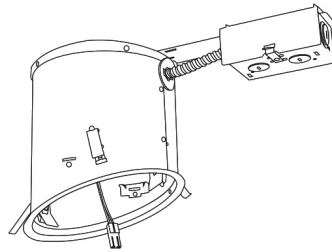


For use with **6" LED Super Sloped Inserts**

## 6" Dedicated LED Super Sloped Ceiling IC Housings



6" LED Sloped Housing  
**New Construction**

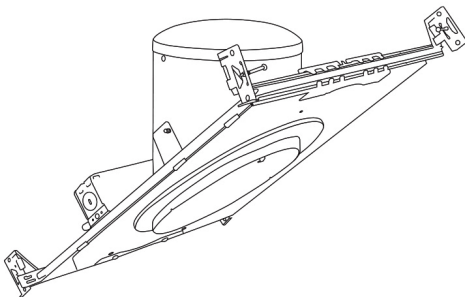


6" LED Sloped Housing  
**Remodel**

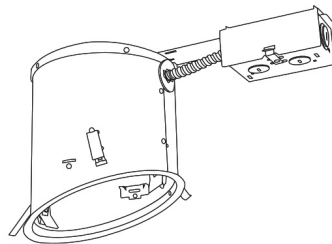
CAT NO.	SPECIFICATIONS
EL971ICA	24W Max.

CAT NO.	SPECIFICATIONS
EL971RICA	24W Max.

## 6" E26 Base Super Sloped Ceiling Housings



6" E26 Medium Base Sloped Housing  
**New Construction**



6" E26 Medium Base Sloped Housing  
**Remodel**



**PSA30**  
Medium base to Ideal terminal connector

CAT NO.	SPECIFICATIONS
EL901ICA	75W Max.

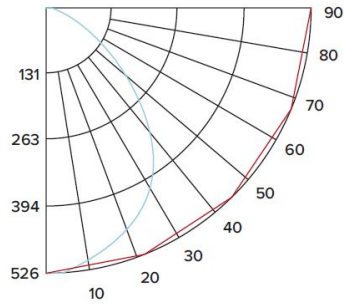
CAT NO.	SPECIFICATIONS
EL901RICA	75W Max.

# Super Sloped Ceiling LED Baffle Insert

Multiplier: 2700K (x 0.96)

## PHOTOMETRIC REPORT

Product #: EL76430  
 Wattage/Lumens: 17.1W/ 1191 Lm  
 Luminaire LPW: 70 Lm/W



## CANDLE POWER SUMMARY

Degrees Vertical	0°
0	524
5	523
15	501
25	456
35	384
45	265
55	129
65	63
75	41
85	7
90	0

## ILLUMINANCE AT A DISTANCE

Distance to Target Plane	Footcandles Beam Center	Beam Diameter
4'	32.7	7.9'
6'	14.5	11.8'
8'	8.18	15.8'
10'	5.24	19.7'

## ZONAL LUMEN SUMMARY

Zone	Lumens	% Luminaire
0-30°	398.39	33.50
0-40°	639.58	53.70
0-60°	1037.74	87.10
0-90°	1188.04	99.80