

4" Remodel Housing

4" remodel housing with a magnetic or electronic transformer. Uses a GU5.3 Bi-Pin socket for use with Bi-Pin LED MR16 lamps.



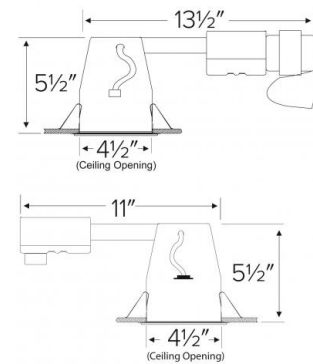
Features

- Single wall IC remodel construction, for use in insulated or non-insulated ceilings.
- Flicker Free LED Dimming.
- Lamp: 12V, MR16 GU/GX5.3 bi-pin LED (not included).
- Lamp Holder: MR16 GU/GX5.3 bi-pin socket.
- Trims sold separately.

Specifications

Wattage	12W
Voltage	120V
Lamp Type	GU5.3 BiPin
Wet Location	Listed with wet location trims
Damp Location	Listed

Dimensions



Technical Details

Construction:

- Remodel IC airtight housing rated for direct contact with insulation, for use in IC or non-IC conditions.
- Housing adjusts in frame to accommodate up to 1 1/4" ceiling thickness.
- Airtight housing with gasket to restrict airflow in accordance with ASTM E-283 air-tight requirements.
- Steel housing for greater heat dissipation.

Installation: Designed for ceiling plenums where 2x6 joists or taller joists are used. Maximum hole cutout is 4 1/4". Suitable for T-grid and drop ceiling applications. See installation sheet for detailed information.

Electrical:

- Input Voltage: 120V AC.
- Output Voltage: 12V AC.
- Magnetic or electronic transformer available.
- Thermally protected against improper lamping.

Trims: Compatible with ELCO 4" MR16 trims.

Dimmability:

- Magnetic transformer dims with MLV type dimmers.
- Electronic transformer dims with ELV type dimmers.
- Dimmability based on lamp.

Lamp: Designed for use with GU5.3 MR16 LED lamps.

Listings:

- UL Listed for Damp Location.
- UL Listed for Wet Location with select trims.
- UL Listed for Feed Through.
- UL Listed for Direct Contact with Insulation and Combustible Material.
- Airtight per ASTM E-283.
- Install a JA8-2016-E lamp/luminaire for Title 24 Compliance.

Warranty: ELCO Lighting warrants products will be free from defects in materials and workmanship for a period of 3 years.

Product Number

Item	Description	Lamp type	Watts	Voltage
EL1499LDRICA	Magnetic Transformer	GU5.3 BiPin	12W	120V