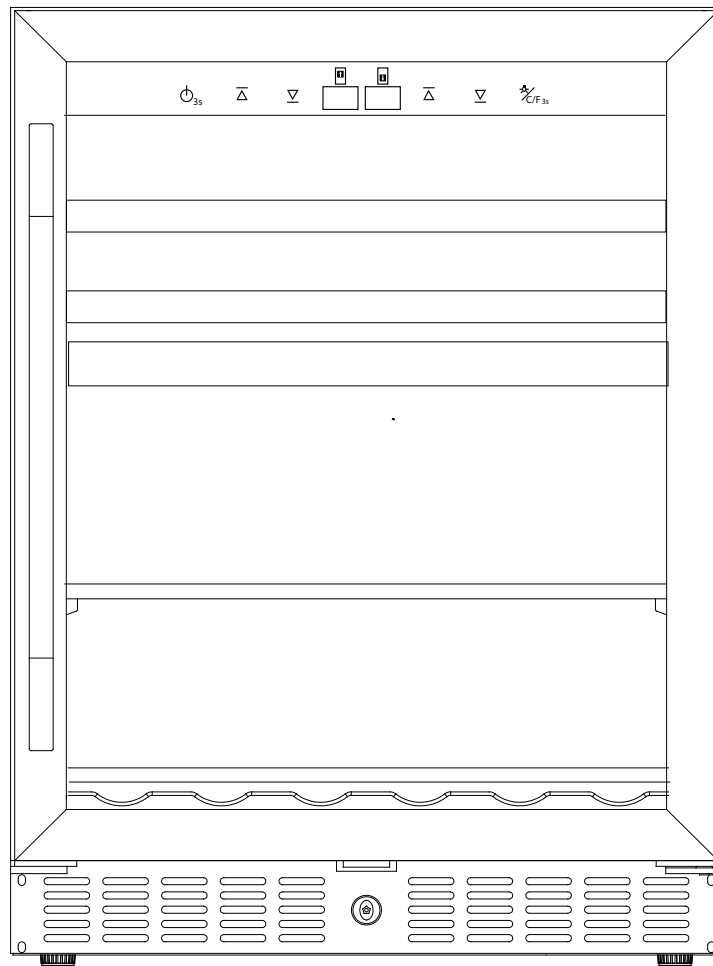


EDGE STAR[®]

Wine and Beverage Refrigerator



CWB8421DZ

Owner's Manual

Important Safety Information

Improper handling can cause serious damage to the EdgeStar refrigerator and / or injury to the user. This refrigerator is designed for domestic indoor use only. **Do not use the unit for industrial or commercial use.** Any other use may invalidate the warranty. Please review the ratings label on the interior lower left wall of the unit for electrical and other technical data related to this unit. The unit must be used in a properly grounded wall outlet.


Important R600a Safe Handling



Warning: Read this section carefully before installing or operating your new wine refrigerator.



CAUTION:
Risk of fire
flammable

- This appliance contains a small quantity of R600a refrigerant which is environmentally friendly, but flammable. It does not damage the ozone layer, nor does it increase the greenhouse effect.
- During transportation and installation, ensure that the tubing of the refrigerant circuit is not damaged.
- Avoid using sharp objects near the refrigerator.
- In the event any damage does occur:
 - avoid exposure to open fires and any device which creates a spark.
 - Disconnect the appliance from the main power.
 - Thoroughly ventilate the room in which the appliance is located for several minutes.
- The room for installing the appliance must be at least 140 ft³ (4 m³).
- **WARNING:** To avoid a hazard due to instability of the appliance, it must be secured in accordance with the instructions.
- The symbol  is a warning and indicates the refrigerant and insulation are flammable.
- **WARNING:** Risk of fire / flammable materials
- **WARNING:** Do not store explosive substances such as aerosol cans with a flammable propellant in this appliance.
- **WARNING:** When positioning the appliance, make sure the supply cord is not trapped or damaged.
- **WARNING:** Do not locate power strips or portable power supplies at the rear of the appliance.
- **WARNING:** The refrigerant and insulation in the unit are flammable. When disposing of the appliance, do so only at an authorized waste disposal center. Do not expose to flame.

Important Safety Information



General Safety

- This appliance is not intended for use by persons (including children) with reduced physical, sensory, or mental capabilities unless they are given supervision or instruction by a person responsible for their safety.
- Children should not clean or maintain the refrigerator without supervision.
- Children should be supervised to ensure that they do not play with this product.
DANGER: Risk of child entrapment. Never allow children to crawl inside the refrigerator. If you are disposing of the unit, remove the door(s) and leave the shelves in place.
- If your model of refrigerator is equipped with a lock, keep the keys away from children.
- To prevent injuries, use at least two people to move and install the refrigerator.
- Install the refrigerator in a well-ventilated area where the ambient temperature is above 50° F and below 90° F.
- This unit is designed to be installed indoors, and protected from rain, sleet, snow, and / or moisture.
- The temperature range for this refrigerator is optimized for storage. Perishable food items may require a different storage environment.
- Do not place hot or warm items into the refrigerator before they cool down to room temperature.
- Do not use this appliance near flammable gas or combustibles such as gasoline, benzene, or thinner.
- Do not place the unit near heat sources such as ovens, grills, or direct sunlight.
- Only use in an upright position on a flat, level surface and provide proper ventilation.
- Do not leave any cleaning solutions in the unit.
- Do not use solvent-based cleaning agents or abrasive solutions to clean the unit as they may damage the interior and exterior.
- Do not place any other appliances on top of the unit.
- Do not turn the unit upside down, on its side, or at an angle off level.
- Do not move the unit without emptying the contents and securing the door in a closed position.
- This appliance is meant for use in the household or similar settings.
- Keep all ventilation openings clear of obstruction.
- Do not use mechanical devices or other means to accelerate the defrosting process.
- Do not damage the refrigerant circuit.
- Do not use other appliances inside the refrigerator unless recommended by the manufacturer.
- If the power cord is damaged, it must be replaced by the manufacturer, its service agent, or a similarly



DISPOSAL: This appliance may not be treated as regular household waste. It should be taken to the appropriate waste collection center.

Important Safety Information

Please read and follow the safety information listed below to reduce the risk of fire, electric shock, or injury.



Electrical Safety

- Do not exceed the power outlet ratings.
- It is recommended the refrigerator be connected on its own circuit.
- The unit must be installed in accordance with state and local electrical codes.
- A standard electrical supply (120 V, 60Hz), that is properly grounded in accordance with the National Electrical Code and local codes and ordinances is required.
- Use outlets that cannot be turned off by a switch or pull chain.
- Always turn the unit off and unplug it from the outlet when cleaning.
- Unplug the unit if it is not going to be used for an extended period of time.
- Do not operate the unit with a power plug missing the ground plug, a damaged cord, or a loose socket.
- Be sure the refrigerator is properly grounded.
- Avoid installation in high humidity environments such as bathrooms and non-acclimatized basements. Excess moisture may create condensation on the door and impact the performance of the refrigerator.
- Never plug or unplug the unit with wet hands.
- Do not bypass, cut, or remove the grounding plug.
- Do not use extension cords or power strips with this unit. You may need to contact your electrician if it is necessary to use a longer cord or if you do not have a grounded outlet. Do not modify the power cord's length or share the outlet with other appliances.
- Do not start or stop the unit by switching the circuit's power on and off.
- If the power cord is damaged, it must be replaced by the manufacturer or a qualified technician.
- Never repair the unit while it is plugged in.
- Immediately unplug the unit if it makes strange sounds, emits smells, or smoke comes out of it, and contact customer service.
- Do not remove any part of the casing unless instructed to do so by an authorized technician.
- You should never attempt to repair the unit yourself. Contact customer service for service options if the unit needs service.
- In locations where there is frequent lightning, it is recommended to use surge protectors.



DANGER: Flammable Refrigerant Used! When handling, moving, and using the refrigerator, make sure to avoid damaging the refrigerant tubing or increasing the risk of a leak.

Table of Contents

Important Safety Information	2
First-Time Operating Instructions	6
Introduction	6
Parts Identification	7
Installation	8
Unpacking the Wine and Beverage Refrigerator	8
Types of Installation.....	8
Clearance Requirements.....	9
Electrical Requirements	10
Recommended Grounding Method	10
Leveling the Refrigerator	10
Installing the Door Handles	11
Installing the Beverage Shelves	11
Removing the Beverage Shelves	11
Installing the Wine Shelves	12
Removing the Wine Shelves	12
Operation.....	12
Installation Checklist before Operation.....	12
Loading the Wine Refrigerator	13
Using the Temperature Control Panel	13
Normal Sounds.....	14
Alarm	14
Defrosting.....	14
Reversing the Door Swing.....	15
Preparing the Refrigerator for Storage	16
Cleaning and Maintenance.....	16
Troubleshooting.....	17
Specifications	19
EdgeStar Limited Warranty	20

First-Time Operating Instructions

Before use, make sure all packaging labels and materials are removed from the unit. Be sure to keep track of all included parts and pieces before discarding the packaging materials. It is advised that you keep the original box and packaging materials in case you ever need to move or ship the appliance in the future.

Let the unit stand for at least 24 hours before you use it; this allows the cooling components time to settle from transit. The instruction manual should be read before use.

Introduction

Thank you for purchasing this EdgeStar refrigerator. We hope that this purchase will be the beginning of a lasting and rewarding relationship between you and EdgeStar. We will provide the customer support and exemplary products necessary to nurture that relationship.

This manual contains important information regarding the proper installation, use, and maintenance of your refrigerator. Following this manual will ensure that your product will work at its peak performance and efficiency.

Please save the original product packaging in case you need to safely transport your refrigerator.

For Your Records:

Please write down the model number and serial number below for future reference. Both numbers are located on the ratings label on the interior lower left wall of the unit and are needed to obtain warranty service. You may also want to staple your receipt to this manual as it is the proof of your purchase, and is also needed for service under your warranty.

Model Number: _____

Serial Number: _____

Date of Purchase: _____

For a more efficient experience, please do the following before contacting customer service:

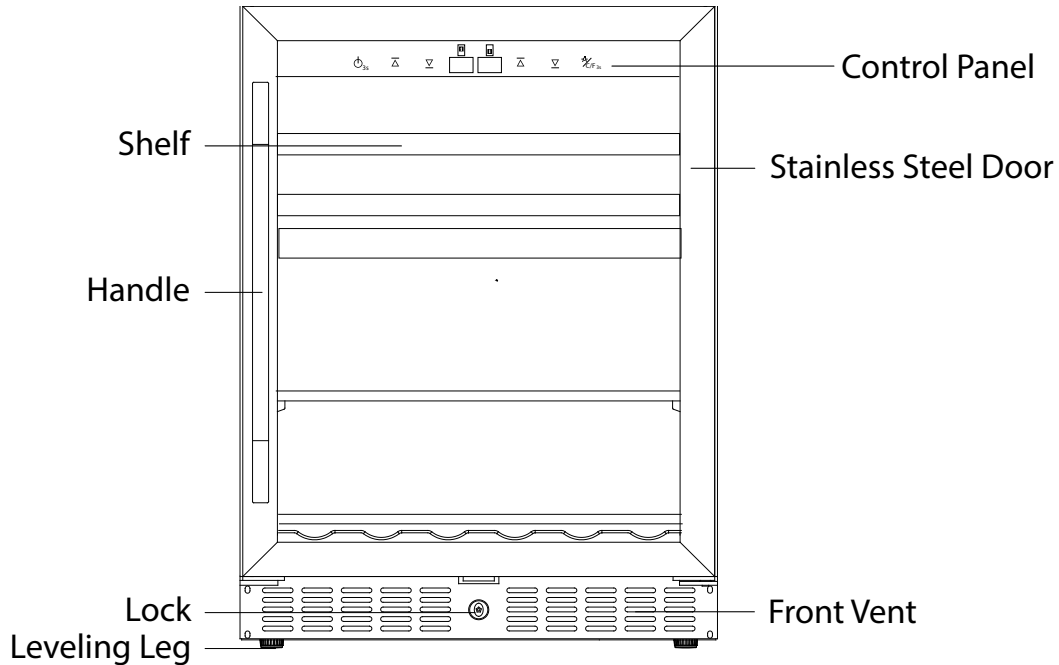
- If you received a damaged product, immediately contact the retailer or dealer who sold the product.
- Read and follow this instruction manual carefully to help you install, use, and maintain your refrigerator.
- Read the troubleshooting section of this manual. It will help you diagnose and solve common issues.
- Visit us on the web at www.edgestar.com to register your product, download product guides, and access additional troubleshooting resources and up-to-date information.
- For warranty service, customer service representatives are available at **service@edgestar.com**.

Parts Identification



Note: Gather the model and serial number from the product label and write them down before installing the refrigerator.

Front View:



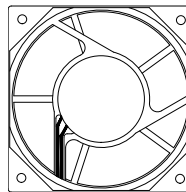
Carbon Filter:

A built-in carbon filter protects your contents by acting as a natural barrier against harmful odors.



Internal Fan:

This is an air-cooled unit equipped with an internal fan that maintains a consistent internal temperature.



Note: The carbon filter should be replaced every 3 - 6 months depending on the unit's exposure level to odor. If the unit is placed in the kitchen, regular replacement every 3 months is ideal.

Installation

The refrigerator should be installed in accordance with local electrical code requirements. The refrigerator should also be placed in a location that is strong enough to support its total weight, keeping in mind that it will weigh substantially more when fully loaded than when empty. **Before you plug the refrigerator into a power supply, be sure to let it stand upright for at least 24 hours to allow the compressor's oils to settle.**

Unpacking the Wine and Beverage Refrigerator



Warning: Use two or more people to move and install the refrigerator. Failure to do so can result in back or other injury. Carefully remove the packaging materials. Remove any shipping tape and glue from your refrigerator before use. Do not use sharp instruments, rubbing alcohol, flammable fluids, or abrasive cleaners to remove tape or glue. These products can damage the surface of your refrigerator.



Warning: Do not remove any safety, warning, or product information labels from your refrigerator.

Types of Installation

This refrigerator has been designed for freestanding or built-in installation. In each case, there must be adequate ventilation and access for service.

Freestanding Installation:

A freestanding installation will allow you to install the refrigerator in almost any place you desire. You must follow the stated instructions for electrical requirements and leveling the refrigerator.

Built-in Installation:

A built-in installation will allow you to install the refrigerator under a counter as long as the required clearance space around the refrigerator is provided. It is necessary to allow adequate ventilation space around the unit, including at the back of the unit.

The following additional items must be observed:

1. Place the refrigerator in front of the installation location. Adjust the feet and place the unit flat on the floor or on a platform depending on your installation requirements.
2. If the electrical outlet for the refrigerator is behind the cabinet, plug in the refrigerator.
3. Push the refrigerator into position.



Warning: DO NOT install the refrigerator behind a closed cabinet door.

Clearance Requirements

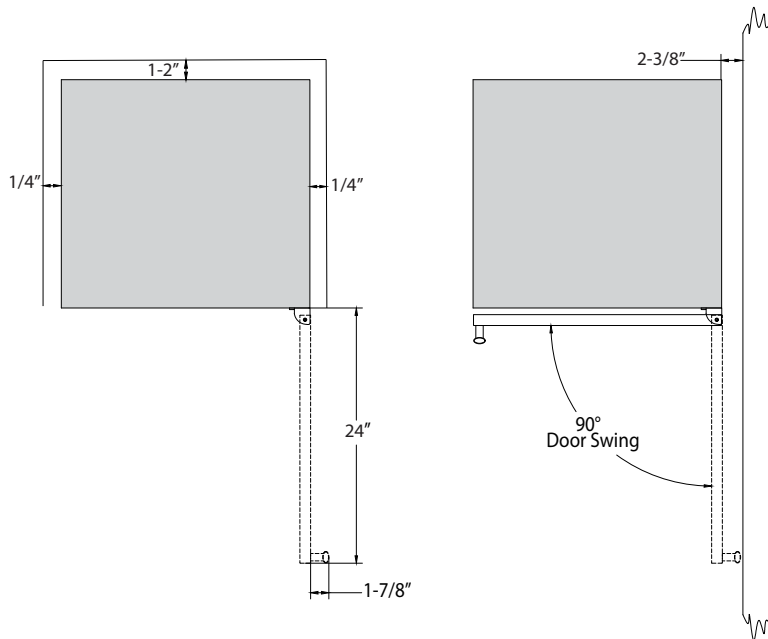
Notes:

- Choose a location that has ambient temperatures above 50°F and below 90°F. Operation outside these temperatures may result in lowered efficiency or cause other adverse effects.
- This unit **MUST** be installed in an area protected from the elements, e.g. direct sunlight, wind, rain, water spray or drips.
- The unit should not be installed in a damp environment.
- The refrigerator should not be located next to ovens, grills, or other heat sources.
- Locate the refrigerator at least three feet away from microwave ovens. Some microwaves may affect the operation of the wine refrigerator.
- Do not kink or pinch the power supply cord between the refrigerator and the wall or cabinet.

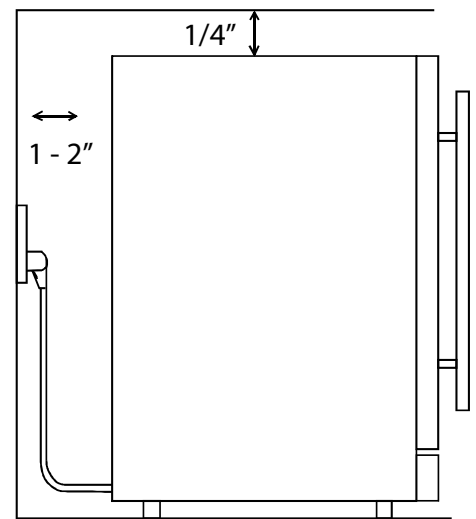
When installing the refrigerator under a counter, follow the recommended spacing dimensions shown.

To ensure proper service access and ventilation, allow at least 1-2" of clearance at the back, 1/4" at the top, and 1/4" at the sides. If the door side is against a wall, allow at least 2-3/8" of clearance. The installation should allow the unit to be pulled forward for servicing, if necessary.

Top View:



Side View:



Note: The refrigerator should be installed on a firm and level surface that will be able to support the entire weight of a fully loaded unit. It is important for the refrigerator to be level in order to work properly. If needed, you can adjust the height of the refrigerator by rotating the feet. See the "Leveling the Refrigerator" section.

Electrical Requirements

ELECTRIC SHOCK HAZARD!



- Plug into a grounded 3-prong outlet.
- Never remove the grounding prong from the plug.
- Never use an adapter to bypass the grounding prong.
- DO NOT use an extension cord.
- Failure to follow these instructions can result in fire, electrical shock, or death.

Before you move your Refrigerator into its final location, it is important to make sure you have the proper electrical connection:

A standard electrical supply (120V, 60 Hz), properly grounded in accordance with the National Electrical Code and local codes and ordinances is required.

It is recommended that a separate circuit, serving only your refrigerator, be provided. Use receptacles that cannot be turned off by a switch or pull chain.

The fuse (or circuit breaker) size should be 15 Amps.

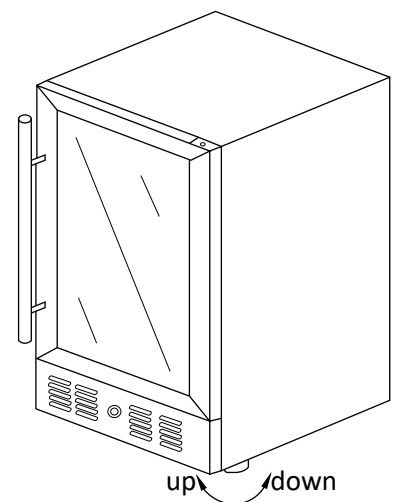
Recommended Grounding Method

For your personal safety, this appliance must be grounded. It is equipped with a power supply cord that has a 3-pronged grounding plug. To minimize possible shock hazard, the cord must be plugged into a mating 3-pronged wall socket and grounded in accordance with the National Electrical Code and local codes and ordinances. If a mating wall socket is not available, it is the personal responsibility of the customer to have a properly grounded, 3-prong wall receptacle installed by a qualified electrician.

Leveling the Refrigerator

It is important for the refrigerator to be level in order to work properly. It can be raised or lowered by rotating the plastic sheaths around each of the feet on the bottom of the machine. If you find that the surface is not level, rotate the feet until the refrigerator becomes level. You may need to make several adjustments to level it. We recommend using a carpenter's level to check the machine.

1. Place a carpenter's level on top of the product to see if the refrigerator is level from front to back and side to side.
2. Adjust the height of the feet as follows:
 - Turn the leveling feet to the right to lower that side of the refrigerator.
 - Turn the leveling feet to the left to raise that side of the refrigerator.



Note: Once you are ready to install the unit in a cabinet or directly on the floor, you must adjust the feet to level the refrigerator.

Installing the Door Handles

To install the door handles:

1. Open the left door and carefully pull the door gasket around the area where the handle is to be installed.
2. Carefully remove the two pre-installed decorative plugs from the front of the door.
3. Insert each Phillips head screw through the gasket side of the door until the screw passes through the door.
4. Align the handle with the screws and tighten using a Phillips head screwdriver until the handle is flush against the door frame.
5. Carefully press the door gasket into its original position.
6. Repeat steps 1 through 5 for the right door handle.



Warning: Do not over-tighten the screws as this may cause damage to the handle or the stainless steel door.

Installing the Beverage Shelves

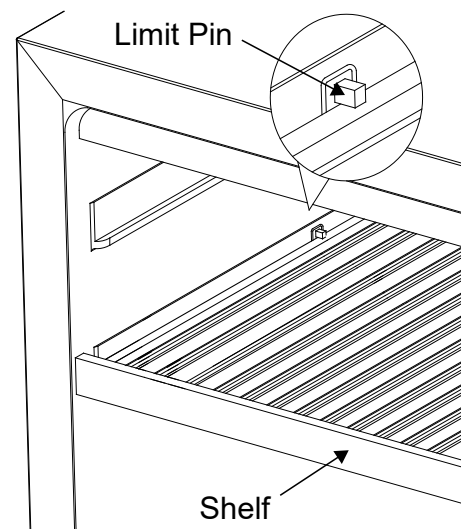
To prevent damaging door gasket, make sure to open the door fully before pulling the shelves off their tracks.

To Install the Shelves:

1. Open the doors completely.
2. Place the back of the shelf on the desired shelf track.
3. Slide the shelf into the refrigerator until it reaches the limit pins (on both sides of the shelf track).
4. Press the limit pins in on both sides and slide the shelf fully into the unit.

Removing the Beverage Shelves

1. Open the door completely.
2. Remove all the contents on the shelf.
3. Press the limit pins in on both sides of the refrigerator simultaneously and pull the shelf out of the unit.

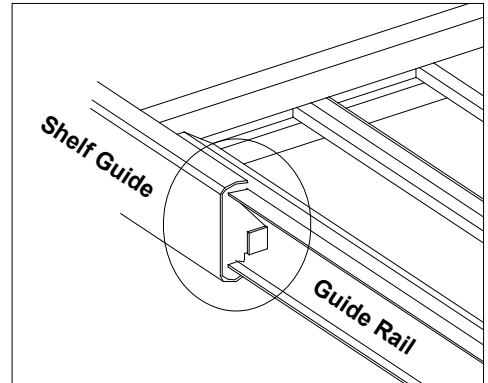


Installing the Wine Shelves

To prevent damaging door gasket, make sure to open the door fully before installing or removing the shelves.

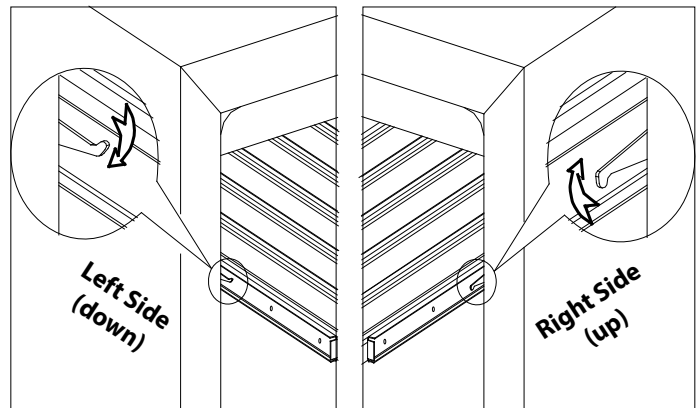
To Install the Shelves:

1. Open the door completely.
2. Line up the shelf guides with the guide rails and slide the shelf into the refrigerator.



Removing the Wine Shelves

1. Open the door completely.
2. Remove all the contents on the shelf.
3. Push the left side lever down while pulling the right side lever up and pull out the shelf.



Operation

Installation Checklist before Operation

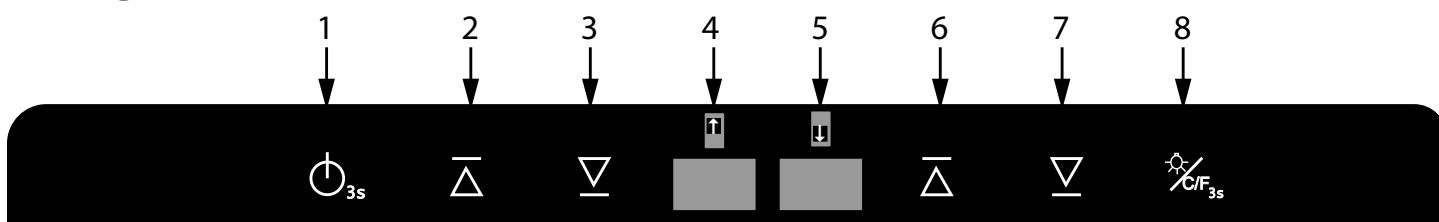
1. Have all packing materials and tape been removed from the interior and exterior of the refrigerator?
2. Have the installation instructions been followed, including connecting the machine to electricity? And has proper grounding been installed for the refrigerator?
3. Has the machine been leveled?
4. Is the refrigerator in a site where the ambient temperature is between 50°F and 90°F all year round?
5. Is there a clearance of at least 1-2" at the rear, 1/4" at the top, and 1/4" at the sides for proper air circulation?

Loading the Wine Refrigerator

The wine cellar can hold 18 bottles of wine. Load your wine bottles in single or double rows. If you do not have enough bottles to fill the wine refrigerator, distribute the bottles evenly throughout the wine cellar.

- Do not overload the wine cellar.
- Do not stack bottles on the shelves.
- Do not block the internal fans (located inside on the back panel).
- Do not slide shelves out past their fixed position or bottles could fall out.
- Do not pull out more than one loaded shelf at a time or the unit could tip over.
- Do not cover the shelves with tinfoil or other materials. This could hinder circulation.
- Never move the refrigerator when it is full. This could cause back injuries or unit damage.

Using the Temperature Control Panel



This wine and beverage refrigerator has two cooling zones that are controlled independently by two separate control panels, one for the upper zone and one for the lower zone. The upper wine zone has a temperature range from 41°F to 68°F (5°C to 20°C). The lower beverage zone has a temperature range from 36°F to 50°F (2°C to 10°C). The control panel in each zone will display the set temperature inside the cabinet.

1. **Power Button:** Press to turn the unit on. Press and hold for three seconds to turn the unit off.



Caution: If you turn the unit off, please wait at least five minutes before turning it back on.

2. **Upper Zone Increase Button:** Press to increase the temperature by one degree increments.
 3. **Upper Zone Decrease Button:** Press to decrease the temperature by one degree increments.
 4. **Upper Zone Display Window:** Displays the upper zone temperature.
 5. **Lower Zone Display Window:** Displays the lower zone temperature.
 6. **Lower Zone Increase Button:** Press to increase the temperature by one degree increments.
 7. **Lower Zone Decrease Button:** Press to decrease the temperature by one degree increments.
 8. **Light Button:** Press the button to turn the lights on or off.
 - If the light is multicolored, it will change one color each time the button is pressed, then turn off.
- C/F Button:** Press and hold for three seconds to switch between Celsius and Fahrenheit.

Normal Sounds

Your new refrigerator may make noise during normal operation. Most of these sounds are normal. Hard surfaces like the floor and walls can make sounds seem louder than they actually are.

The following describes several sounds you may hear and what may be making them:

- Rattling noises may come from the flow of the refrigerant or the water line. Items stored on top of the refrigerator can also make noises.
- The high efficiency compressor may make a pulsating or high-pitched sound.
- Water running from the evaporator to the water bin may make a splashing sound.
- As each cycle ends, you may hear a gurgling sound due to the refrigerant flowing in your

Alarm

This unit is equipped with an alarm. The alarm will sound under the following conditions:

- The door has been left open for more than 3-1/2 minutes.
- The temperature is too high for one hour or longer (above 74°F/23°C). The display flashes “HH.”
- The temperature is too low for 1/2 hour (below 32°F/0°C). The display flashes “LL.”

Simply pressing the power button once will disable the alarm.

Defrosting

The beverage refrigerator will automatically defrost. Defrost water drains automatically. Part of the water goes into a drainage container, located at the back of the beverage cellar next to the compressor. The compressor heats and evaporates the water.



Warning: Never attempt to remove frost with a sharp object!



Caution:

- Do not touch the power plug when your hands are wet.
- Never unplug the unit by pulling on the cord.

Reversing the Door Swing

Follow the instructions below to reverse the door swing from right to left.



Warning: The glass door is heavy. Use two people to handle the door.

Figure 1

- Use a small knife to remove the decorative nails.
 - With a six angle screwdriver, remove the four M5 screws holding the drop-proof device.
- Save all parts for later use.*

Figure 2

- Holding the door, remove the door shaft cores on the top and bottom of the door with a six angle screwdriver. Remove the glass door and place it on a padded surface to avoid damaging it.
- Save all parts for later use.*

Figure 3

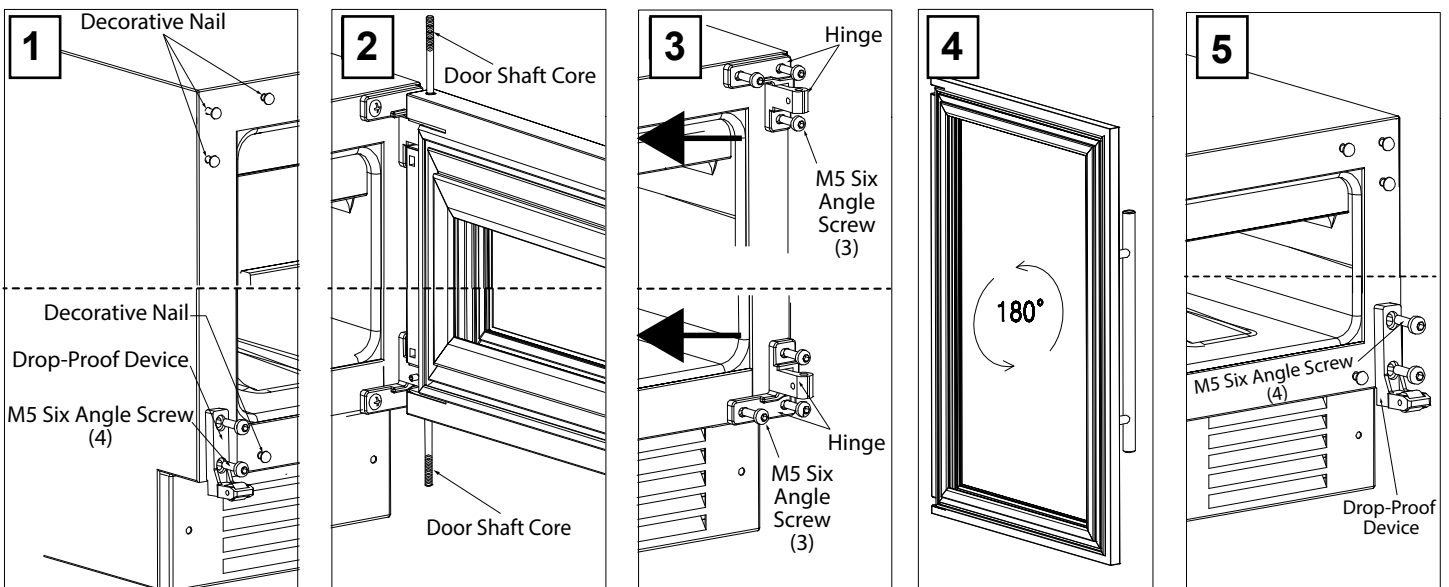
- With a six angle screwdriver, remove the six M5 screws holding the upper and lower door hinges on the right side of the cabinet.
- Install the door hinges and M5 screws on the left side of the cabinet.
- Use the decorative nails removed in Figure 1 to plug the nail holes on the right side of the cabinet.

Figure 4

- Rotate the door 180 degrees, then install the door on the left side of the cabinet.
- Use the door shaft cores removed in Figure 2 to attach the door to the hinges.

Figure 5

- Install the drop-proof device on the right side of the cabinet.



Preparing the Refrigerator for Storage

If the refrigerator will not be used for a long time, or is to be moved to another place, it will be necessary to defrost the unit and dry the interior.

1. Disconnect the Refrigerator from the power supply by removing the power plug from the wall socket.
2. Leave the door open to allow for air circulation and to prevent mold, mildew, and unpleasant smells.



Caution: Store the unit out of reach from children. If you have children, you may want to take precautions such as removing the door to prevent a child from being trapped inside.

Cleaning and Maintenance

Periodic cleaning and proper maintenance will ensure efficiency, top performance, and long life.

Exterior Cleaning

The door and cabinet may be cleaned with a mild detergent or hand soap mixed with warm water. Do not use solvent based or abrasive cleaners. Use a soft sponge and rinse with clean water. Wipe with a soft clean towel to prevent water spotting. If the door panel is stainless steel, it can discolor when exposed to chlorine gas and moisture. Clean stainless steel using a cloth dampened with a mild detergent and warm water solution. Never use an abrasive or caustic cleaning agent.

Interior Cleaning

The refrigerator's interior should be cleaned occasionally.

1. Disconnect power to the unit.
2. Open the door and remove the contents and shelves.
3. Wait until the unit defrosts.
4. With a clean cloth, wipe down the interior of the unit.
5. Reinsert the shelves and items.

Troubleshooting

Before Calling for Help:

If the unit appears to be malfunctioning, read through the “Operation” section of this manual first. If the problem persists, check the Troubleshooting Guide below and on the following page. The problem may be something that can easily be solved or explained.

Symptoms	Possible Causes	Solutions
The refrigerator turns on and off frequently.	The room temperature is higher than the recommended ambient environment.	Run the refrigerator at the appropriate ambient temperature.
	The door is being opened too often.	Minimize the number of times the door is opened.
	The door is not completely closed.	Make sure the door is completely closed.
	The door gasket is not sealing properly.	Make sure the door gasket is sealing properly.
	The refrigerator does not have the suggested ventilation.	Read and follow the “Installation Clearance Requirements” section.
The refrigerator does not turn on.	There is a power failure.	Ensure that the refrigerator is plugged in and the power outlet has power.
	The refrigerator is not plugged in.	Plug the unit in to a power outlet that has sufficient amperage.
	A house fuse has blown or the circuit breaker is tripped.	Replace the broken fuse in your fuse box or reset the breaker.
The refrigerator will not reach the desired temperature.	The refrigerator is placed too close to a heat source.	Keep the refrigerator away from direct sunlight or other heat sources.
	The refrigerator does not have sufficient ventilation.	Read and follow the “Installation Clearance Requirements” section.
	The door is opened too frequently or for a long period of time.	Close the door tightly and do not open the door too frequently or for a long period of time.
The refrigerator is making strange noises.	Certain sounds are normal.	Read the “Normal Sounds” section.
	The unit is not level or is touching another appliance.	Check to make sure that the refrigerator is level, and that it is not in contact with another appliance or furniture.

Symptoms	Possible Causes	Solutions
The body of the refrigerator is electrified.	The unit is not grounded properly.	Contact your local electrician to test your electrical grounding system.
Frost is forming in the refrigerator.	The environment is humid.	Manual defrosting is required; unplug the unit to allow the frost to melt. If frost builds up frequently, you can move the unit to a location with a warmer temperature, minimize the number of times you open the door, or check the door gasket for a good seal.
	The ambient temperature is too low.	
	The door gasket is not installed properly.	
	The door is being opened too frequently.	
The door will not shut properly.	The refrigerator is not level.	Make sure the refrigerator is on a level surface.
	The door gasket is dirty.	Clean the door gasket.
	The door gasket is not installed correctly.	Make sure the door gasket is correctly installed.
	The shelves are incorrectly installed.	Install the shelves correctly.

Specifications



Note: Technical data and performance information are provided for reference only. Specifications are subject to change. Check the rating label on the refrigerator for the most accurate information.

Product Type	Wine and Beverage Refrigerator
Model	CWB8421DZ
Voltage / Frequency	AC 120V~60Hz
Amperage	1.0
Color	Black Cabinet; Stainless Steel Door
Refrigerant	R600a
Storage Capacity	14 Bottles 79 Standard 12 oz. Cans
Temperature Range	Upper Zone: 41°F to 68°F (5°C to 20°C) Lower Zone: 36°F to 50°F (2°C to 10°C)
Dimensions (Height x Width x Depth)	32-1/4" x 23-7/16" x 24-1/4"



Note: The refrigerator can store 14 standard 750 ml. wine bottles.



Note: The depth indicated includes the product handle. Depth without the handle is 22-7/16"

EdgeStar Limited Warranty

One (1) Year Parts & One (1) Year Labor

This product is warranted by EdgeStar and is subject to any conditions set forth as follows:

WHAT IS COVERED:

LABOR: For a period of ONE (1) YEAR from the date of original purchase, labor will be performed free of charge at an authorized EdgeStar repair facility. At its option, EdgeStar will repair the product with new or re-manufactured parts, or exchange the defective product with a new, refurbished, or re-manufactured product. If a product is replaced, it will carry the remaining warranty of the original product. After the one (1) year period, EdgeStar will no longer be responsible for labor charges incurred. All defective products and parts covered by this warranty will be repaired or replaced on a mail-in basis to an EdgeStar authorized repair facility.

PARTS: For a period of ONE (1) YEAR from the date of original purchase, EdgeStar will supply new, rebuilt, or refurbished parts free of charge. EdgeStar may request a defective part be returned in exchange for the replacement part. All replacement parts or products will be new, re-manufactured, or refurbished. All products and parts replaced by EdgeStar under warranty service become the property of EdgeStar.

This warranty applies to the original purchaser only, and only covers defects in workmanship experienced during operation of the product under normal service, maintenance, and usage conditions. This warranty applies to the purchase and use of this product in residential settings within the contiguous United States of America.

WHAT IS NOT COVERED- The following limitations apply to the coverage of this warranty. This warranty does not cover:

- Labor charges for installation, setup or training to use the product.
- Shipping damage, and any damage caused by improper packaging for shipment to an authorized service center, and any damaged caused by improper voltage or any other misuse, including abnormal service, handling, or usage.
- Cosmetic damage such as scratches and dents.
- Normal wear and tear on parts or replacement of parts designed to be replaced, e.g. filters, cartridges, batteries.
- Service trips to deliver, pick-up, or repair, install the product, or to instruct in proper usage of the product.
- Damages or operating problems resulting from misuse, abuse, operation outside environmental specifications, uses contrary to instructions provided in the owner's manual, accidents, acts of God, vermin, fire, flood, improper installation, unauthorized service, maintenance negligence, unauthorized installation or modification, or rental or commercial use.
- Labor, service transportation, and shipping charges incurred 91 days or more after the date of original purchase.
- The use of EdgeStar products in commercial or rental settings.
- Optional accessories, attachments, and appearance items.
- Products that have been modified to perform outside of specifications without the prior written permission of EdgeStar.
- Products lost in shipment, or theft.
- Products sold AS IS or from an unauthorized reseller.
- Products that have had their serial numbers removed or defaced. Products with serial numbers that have been invalidated.
- Damage to personal property from use of product.
- Replacement of repair of household fuses, circuit breakers, wiring, or plumbing.

OBTAINING WARRANTY SERVICE: If you believe your product is defective, contact EdgeStar Customer Support for troubleshooting assistance and warranty service at www.edgestar.com or call 1-866-319-5473. Before contacting Customer Support you are required to have your model number, serial number, and proof of purchase available upon request. Once an EdgeStar authorized representative has confirmed that your product is defective and eligible for warranty service, the product must be returned to an EdgeStar authorized repair facility. EdgeStar is not responsible for damage resulting from shipper mishandling or improper packaging. Do not return a defective product to the place of purchase. Products received without a return authorization number will be refused.

THIS WARRANTY IS IN LIEU OF ANY OTHER WARRANTY, EXPRESS OR IMPLIED, INCLUDING WITHOUT LIMITATION, ANY WARRANTY OF MERCHANTABILITY OR FITNESS FOR A PARTICULAR PURPOSE. TO THE EXTENT ANY IMPLIED WARRANTY IS REQUIRED BY LAW, IT IS LIMITED IN DURATION TO THE EXPRESS WARRANTY PERIOD ABOVE. NEITHER THE MANUFACTURER NOR ITS DISTRIBUTORS SHALL BE LIABLE FOR ANY INCIDENTAL, CONSEQUENTIAL, INDIRECT, SPECIAL, OR PUNITIVE DAMAGES OF ANY NATURE, INCLUDING WITHOUT LIMITATION, LOST REVENUES OR PROFITS, OR ANY OTHER DAMAGE WHETHER BASED IN CONTRACT, TORT, OR OTHERWISE. IN NO EVENT AND UNDER NO CIRCUMSTANCE OF ANY TYPE OR KIND SHALL THE SELLER, MANUFACTURER AND/OR DISTRIBUTOR BE LIABLE FOR ANY REASON, UNDER ANY THEORY, FOR MORE THAN THE BASIC COST OF THE PRODUCT TO THE PURCHASER OR END USER. SOME STATES DO NOT ALLOW THE EXCLUSION OF INCIDENTAL OR CONSEQUENTIAL DAMAGES, SO THE ABOVE EXCLUSION MAY NOT APPLY TO YOU. THIS WARRANTY GIVES YOU SPECIFIC LEGAL RIGHTS. YOU MAY HAVE OTHER RIGHTS THAT VARY FROM STATE TO STATE.