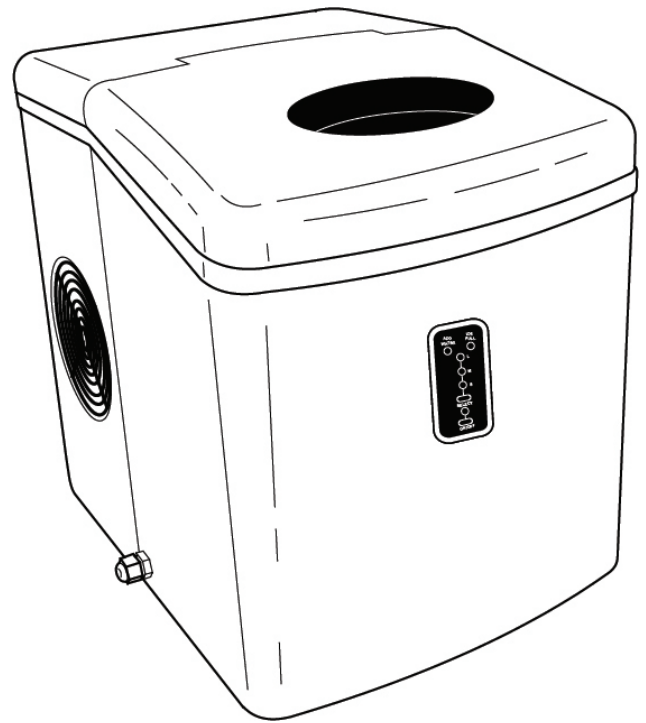
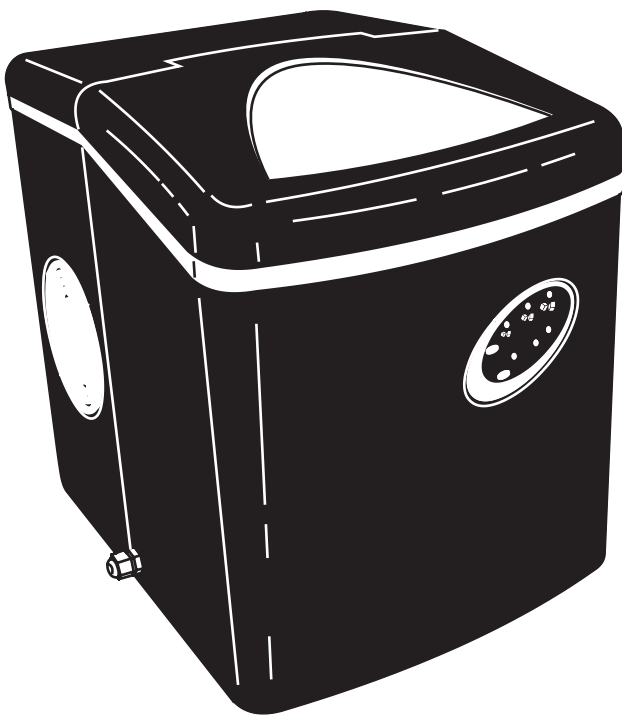


EDGE STAR[®]

Portable Ice Maker



PIM100BL

PIM100SS

Owner's Manual

Important Safety Information

Improper handling can cause serious damage to the EdgeStar ice maker and / or injury to the user. This ice maker is designed for domestic indoor use only. **Do not use the unit for industrial or commercial use.** Any other use may invalidate the warranty. Please review the ratings label located on the rear panel of the unit for electrical and other technical data related to this unit. The unit must be used in a properly grounded wall outlet.

Please read and follow the safety information listed below to reduce the risk of fire, electric shock, or injury.



Electrical Safety

- Do not exceed the power outlet ratings.
- It is recommended the ice maker be connected on its own circuit.
- The unit must be installed in accordance with state and local electrical codes.
- A standard electrical supply (115 V, 60Hz), that is properly grounded in accordance with the National Electrical Code and local codes and ordinances is required.
- Use outlets that cannot be turned off by a switch or pull chain.
- Always turn the unit off and unplug it from the outlet when cleaning.
- Unplug the unit if it is not going to be used for an extended period of time.
- Do not operate the unit with a power plug missing the ground plug, a damaged cord, or a loose socket.
- Be sure the ice maker is properly grounded.
- Never plug or unplug the unit with wet hands.
- Do not bypass, cut, or remove the grounding plug.
- Do not use extension cords or power strips with this unit. You may need to contact your electrician if it is necessary to use a longer cord or if you do not have a grounded outlet. Do not modify the power cord's length or share the outlet with other appliances.
- Do not start or stop the unit by switching the circuit's power on and off.
- If the power cord is damaged, it must be replaced by the manufacturer or a qualified technician.
- Never repair the unit while it is plugged in.
- Immediately unplug the unit if it makes strange sounds, emits smells, or smoke comes out of it, and contact customer service.
- Do not remove any part of the casing unless you are instructed to do so by an authorized technician.
- You should never attempt to repair the unit yourself.
- Contact customer service for service options if the unit needs service.

Important Safety Information



General Safety

- To prevent injuries, use at least two people to move and install the ice maker.
- This appliance is not intended for use by persons, including children, with reduced physical, sensory or mental capabilities, unless they have been given supervision or instruction concerning the use of the appliance by the person(s) responsible for their safety.
- Install the ice maker in a well-ventilated area where the ambient temperature is above 50° F and below 90° F.
- This unit is designed to be installed indoors, and protected from rain, sleet, snow, and / or moisture.
- This unit is not intended to be used by children.
- Children should be supervised to ensure that they do not play with this product.
- Do not use this appliance near flammable gas or combustibles such as gasoline, benzene, or thinner.
- Do not store explosive substances such as aerosol cans with a flammable propellant in this appliance.
- Do not place the unit near heat sources such as ovens, grills, or direct sunlight.
- Only use in an upright position on a flat, level surface and provide proper ventilation.
- Do not pinch or kink the power supply line between the unit and cabinet.
- Do not leave any cleaning solutions in the unit.
- Do not use solvent-based cleaning agents or abrasive solutions to clean the unit as they may damage the interior and exterior.
- Do not place any other appliances on top of the unit.
- Do not turn the unit upside down, on its side, or at an angle off level.
- Do not move the unit without emptying the contents and securing the lid in a closed position.
- This appliance is meant for use in the household or similar settings.
- Keep all ventilation openings clear of obstruction.
- Do not use mechanical devices or other means to accelerate the defrosting process.
- Do not damage the refrigerant circuit.
- Do not use other appliances inside the ice maker unless recommended by the manufacturer.
- If the supply cord is damaged, it must be replaced by the manufacturer, its service agent, or a similarly qualified individual.



DANGER: Flammable Refrigerant Used! When handling, moving, and using the ice maker, make sure to avoid either damaging the refrigerant tubing, or increasing the risk of a leak.

Table of Contents

Important Safety Information	2
First-Time Operating Instructions	5
Introduction.....	5
Parts Identification	6
Installation	7
Unpacking the Ice Maker.....	7
Clearance and Environment Requirements	7
Water Requirements	7
Electrical Requirements	8
Recommended Grounding Method	8
Cleaning Prior to Use	8
Operation.....	9
Installation Checklist before Operation.....	9
First Time Operation.....	9
Control Panel Operation.....	10
How the Ice Maker Produces Ice	11
Normal Sounds.....	11
Draining the Unit.....	12
Cleaning and Maintenance.....	12
Troubleshooting	13
Specifications	15
EdgeStar Limited Warranty	16

First-Time Operating Instructions

Before use, make sure all packaging labels and materials are removed from the unit. Be sure to keep track of all included parts and pieces before discarding the packaging materials. It is advised that you keep the original box and packaging materials in case you ever need to move or ship the appliance in the future.

Let the unit stand for at least 24 hours before you use it; this allows the cooling components time to settle from transit. The instruction manual should be read before use.

Introduction

Thank you for purchasing this EdgeStar ice maker. We hope that this purchase will be the beginning of a lasting and rewarding relationship between you and EdgeStar. We will provide the customer support and exemplary products necessary to nurture that relationship.

This manual contains important information regarding the proper installation, use, and maintenance of your ice maker. Following this manual will ensure that your product will work at its peak performance and efficiency.

Please save the original product packaging in case you need to safely transport your ice maker.

For Your Records:

Please write down the model number and serial number below for future reference. Both numbers are located on the ratings label on the back of your unit and are needed to obtain warranty service. You may also want to staple your receipt to this manual as it is the proof of your purchase, and is also needed for service under your warranty.

Model Number: _____

Serial Number: _____

Date of Purchase: _____

For a more efficient experience, please do the following before contacting customer service:

If you received a damaged product, immediately contact the retailer or dealer who sold the product. Read and follow this instruction manual carefully to help you install, use, and maintain your ice maker. Read the troubleshooting section of this manual. It will help you diagnose and solve common issues. Visit us on the web at www.edgestar.com to register your product, download product guides, and access additional troubleshooting resources and up-to-date information.

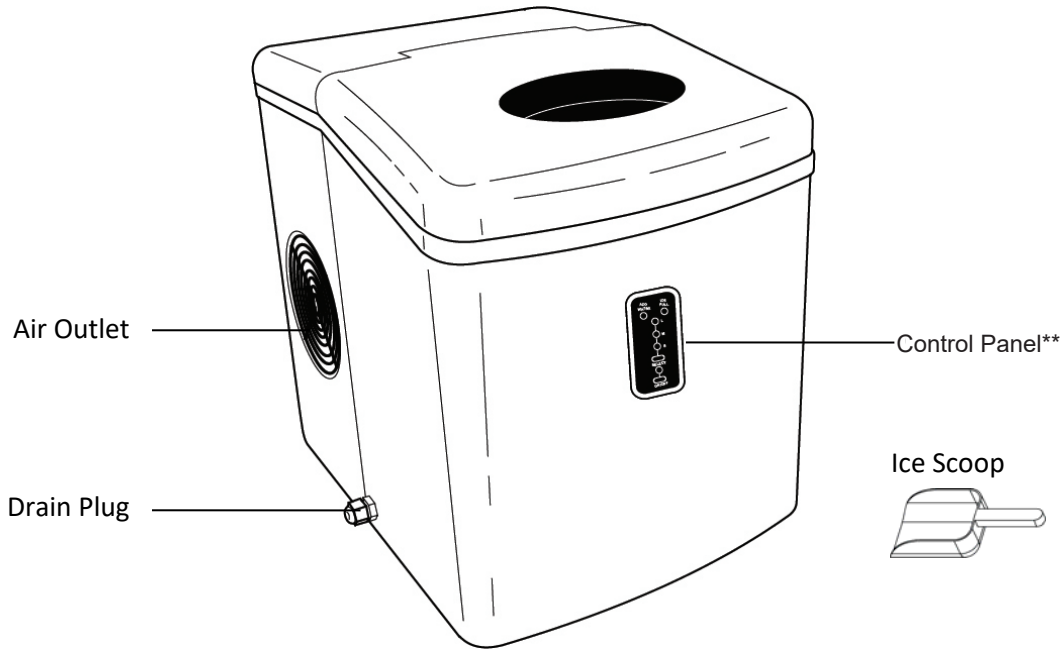
For warranty service, customer service representatives are available at **service@edgestar.com**.

Parts Identification



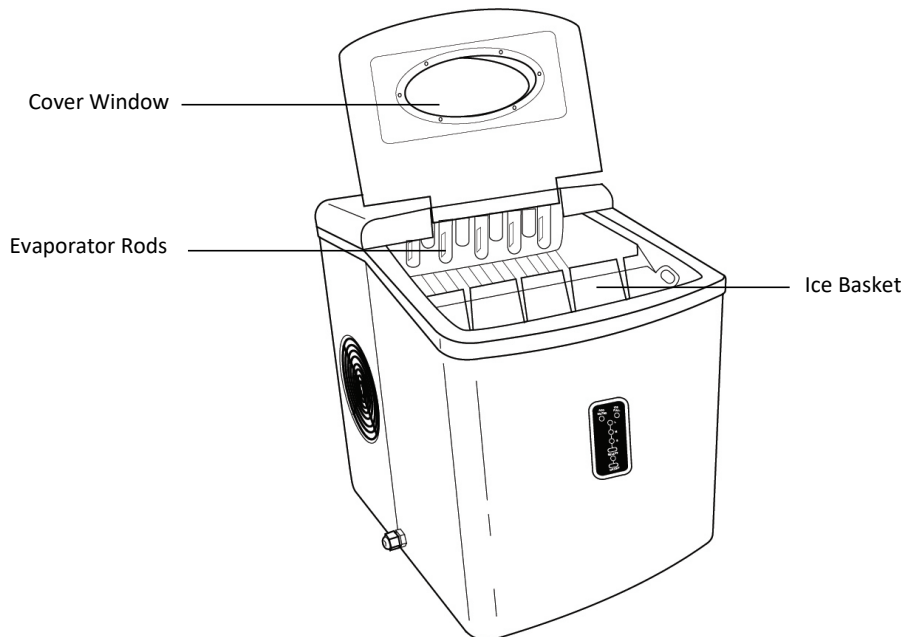
Note: Gather the model and serial number from the product label and write them down on the previous page before installing the ice maker.

Outer View:



**Control panel appearance may vary by model. Operation will remain consistent.

Inner View:



Installation

The ice maker should be installed in accordance with local electrical code requirements. The ice maker should also be placed in a location that is strong enough to support its total weight, keeping in mind that it will weigh substantially more when fully loaded with water and ice than when empty. **Before you plug the ice maker into a power supply, be sure to let it stand upright for at least 24 hours to allow the compressor's oils to settle.**

Unpacking the Ice Maker

Carefully remove the packaging materials. Remove any shipping tape and glue from your ice maker before using. Do not use sharp instruments, rubbing alcohol, flammable fluids, or abrasive cleaners to remove tape or glue. These products can damage the surface of your ice maker. Check to make sure the ice basket and ice scoop are included. If any parts are missing, please contact our customer service. Put the ice maker on a level and flat surface away from direct sunlight and other sources of heat such as a stove, furnace, radiator, etc. The appliance must be positioned so that the power plug is accessible.



Warning: Do not remove any safety, warning, or product information labels from your ice maker.

The ice maker has been designed for free-standing installation, which will allow you to install the unit in almost any place you desire provided you level the unit and follow the instructions for clearance, water and electrical requirements.

Clearance and Environment Requirements

- Choose a well ventilated area with temperatures above 50°F and below 90°F. Operation outside these temperatures may result in lowered production or may cause other adverse effects.
- This unit **MUST** be installed in an area protected from the elements, e.g., wind, rain, water spray or drips. The icemaker should not be located next to ovens, grills or other high heat sources.
- The unit should be located on a firm and level surface that is able to support the ice maker's total weight with water.
- There must be at least 4 inches of space around the back and sides of the unit for proper air circulation.

Water Requirements

- Only use potable water or water suitable for drinking.
- The temperature of the water should be between 51°F and 90°F.
- Change the water in the water reservoir every 24 hours to ensure a reasonable hygiene level.



Note: The add water light uses an electronic sensor that may not detect purified, filtered, reverse osmosis, or distilled water. You may need to add a pinch of salt to the water to increase the mineral content.

Electrical Requirements

ELECTRIC SHOCK HAZARD!



- Plug into a grounded 3-prong outlet.
- Never remove the grounding prong from the plug.
- Never use an adapter to bypass the grounding prong.
- DO NOT use an extension cord.
- Failure to follow these instructions can result in fire, electrical shock, or death.

Before you move your ice maker into its final location, it is important to make sure you have the proper electrical connection:

A standard electrical supply (115 V, 60Hz), properly grounded in accordance with the National Electrical Code and local codes and ordinances is required.

It is recommended that a separate circuit, serving only your ice maker, be provided. Use receptacles that cannot be turned off by a switch or pull chain.

The fuse (or circuit breaker) size should be 15 Amps.

Recommended Grounding Method

For your personal safety, this appliance must be grounded. It is equipped with a power supply cord that has a 3-pronged grounding plug. To minimize possible shock hazard, the cord must be plugged into a mating 3-pronged wall socket and grounded in accordance with the National Electrical Code and local codes and ordinances. If a mating wall socket is not available, it is the personal responsibility of the customer to have a properly grounded, 3-prong wall receptacle installed by a qualified electrician.



Warning: Do not, under any circumstances, cut or remove the third (ground) prong from the power cord.

Cleaning Prior to Use

Before using your ice maker it is strongly recommended that you clean it thoroughly. Follow the steps below, or refer to the “Cleaning and Maintenance” section of this manual for complete instructions.

1. Open the top cover and remove any packaging tape that may be holding down the ice case, ice shovel, ice basket, and ice scoop. Remove the ice scoop.
2. Take out the ice basket and clean it.
3. Clean the interior with a mild cleaning solution (such as a 10:1 mixture of warm water and either baking soda or vinegar) and a soft cloth. DO NOT use any caustic or abrasive solutions or clean your ice maker with flammable fluids.
4. Clean the outside of the ice maker with a mild detergent and warm water.
5. Dry the interior and exterior with a soft cloth.

Operation

Installation Checklist before Operation

1. Have all packing materials and tape been removed from the interior and exterior of the ice maker?
2. Have the installation instructions been followed, including connecting the machine to electricity? And has proper grounding been installed for the ice maker?
3. Is the ice maker in a site where the ambient temperature is between 50° F and 90° F all year round?
4. Has the unit been thoroughly cleaned prior to use?
5. Is there a clearance of at least 4" around the back and sides of the unit?

First Time Operation

1. Pour water into the water reservoir. Keep the water level below the "MAX" water mark.
2. Insert the ice basket into the water reservoir.
3. Close the lid.
4. Plug the ice maker's power plug in to a grounded outlet.
5. Press the On/Off button on the Control Panel.
6. Press the Select button to choose between small, medium and large size cubes. If the room temperature is below 60°F, it is best to select the small size setting; otherwise, the ice cubes may stick together.
7. The ice making cycle should produce one batch of ice in approximately 13 minutes.



Note: Discard the first three batches of ice produced by the ice maker.



Note: If the water pump is unable to detect or pump water, the unit will stop automatically, and the "Add Water" indicator will illuminate. Once you have added water to the unit, it will restart automatically and continue making ice as normal. **Do not power on the unit without any water.**

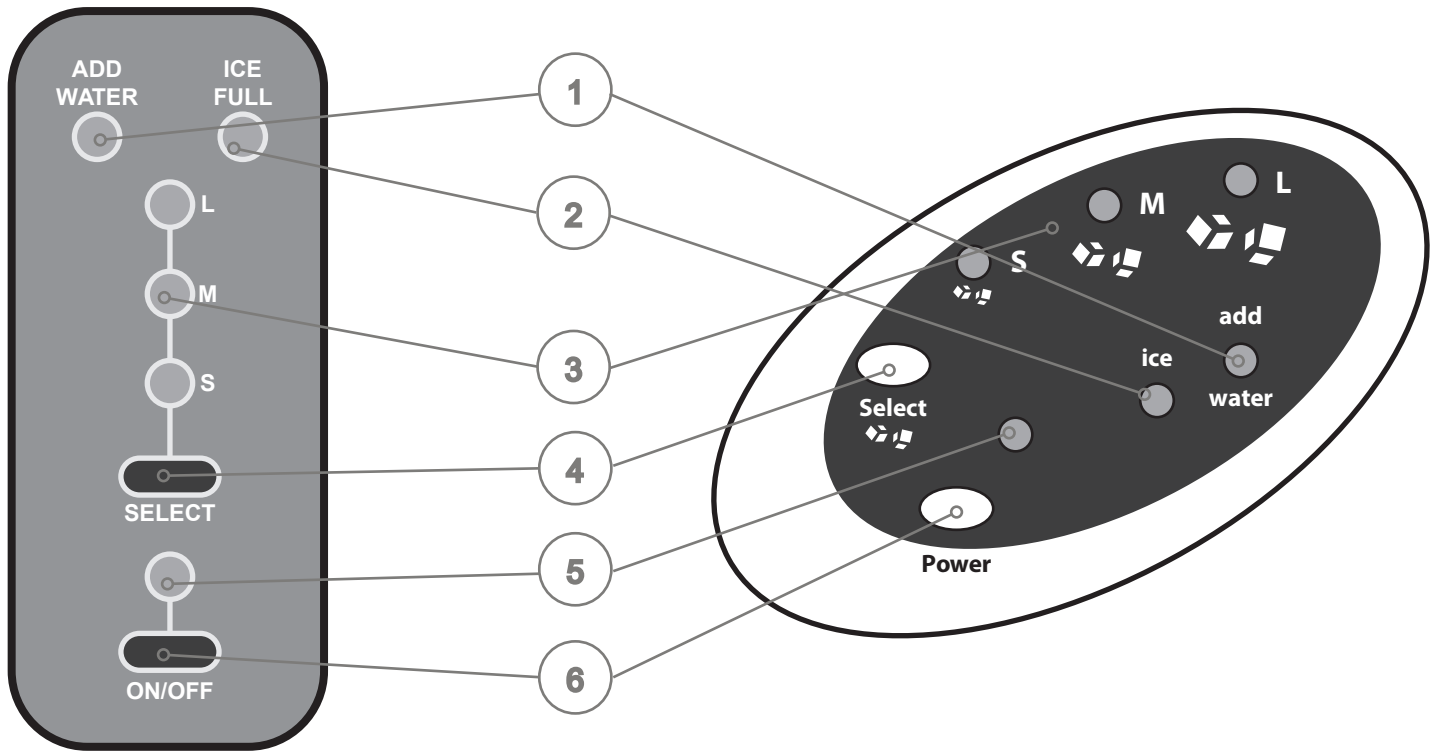


Note: Direct sunlight may cause the "ice full" infrared sensor to malfunction. If the unit continues to produce ice even though the basket is full, you may need to move the unit away from the sunlight.

Control Panel Operation

PIM100SS

PIM100BL



#	Feature	Function
1	Add Water Light	Illuminates when the water reservoir is low or empty. Turn the unit off, add water to the reservoir, and wait three (3) minutes before restarting.
2	Ice Full Light	Illuminates when the ice basket is full. Remove ice to continue ice production.
3	Ice Size Indicator	Displays the ice size (small, medium, or large) currently being produced.
4	Select Button	Press to switch between small, medium, and large ice sizes.
5	Power Light	Illuminates solid green when the unit is on and flashing when the unit is off but still plugged in.
6	Power Button	Press to power the unit on or off.

How the Ice Maker Produces Ice

After the unit is powered on, the ice maker begins by rotating the ice case into a horizontal water fill position under the evaporator. The water pump is engaged and fills the ice case with water. Water overflows for a few seconds before the compressor turns on. The compressor then pumps refrigerant, and the fan will turn on automatically after the condenser heats up. The unit then produces bullet-shaped ice around the evaporator. When a batch of ice has been fully formed, the ice maker stops the freeze cycle and begins the harvest cycle.

A valve opens, diverting hot refrigerant gas into the evaporator. The gas heats the evaporator, causing ice bullets to slide off the evaporator. The ice shovel will automatically push the newly formed ice into the basket and will move the ice case back into the water fill position for the next batch. The ice maker will produce ice until ice reaches the ice full sensor or until the unit is out of water. The ice bin compartment is insulated, but not refrigerated and the ice in the bin will slowly melt. Once enough of the ice has melted, the ice maker will automatically reuse this water to start making more ice.

Normal Sounds

The ice maker may make sounds during operation. Most of these sounds are normal. Hard surfaces like the floor or walls can make the sounds seem louder than they actually are. The following describes sounds you might hear and what might be causing them.

- The ice case motor will make a whirling noise when the ice case and shovel are moving.
- Rattling noises may be produced from the flow of the refrigerant.
- The compressor may make a pulsating or high-pitched sound.
- The compressor may also produce a low tone humming sound.
- Water that is being pumped into the ice case will make trickling, dripping or splashing sounds.
- As each cycle ends, you may hear a gurgling sound due to the refrigerant flowing.
- You may hear fan noise and air being forced over the condenser by the condenser fan.
- During the harvest cycle, you may hear the sound of ice cubes falling into the ice basket.
- If the ice maker is run without water, the water pump will make a screeching noise. Note: **Do not run the unit without water!**

Notes:



- If the ice maker will not be used for an long period of time, you should unplug the unit from power, drain the water from the reservoir and dry the interior with a clean soft cloth.
- Do not touch the power plug when your hands are wet.
- Do not try to remove the evaporator from the unit.
- Never unplug the unit by pulling on the cord.

Draining the Unit

Follow the steps below to drain the unit.

1. Carefully move the unit towards a sink or other suitable location for draining.
2. Unscrew the cap and remove the drain plug from the side of the unit to drain the water.
3. Firmly install the rubber drain plug into the drain port and replace the cap.



Note: An extra drain plug is included with the unit.

Cleaning and Maintenance

Periodic cleaning and proper maintenance will ensure efficiency, top performance, and long life. Never use a solvent-based cleaning agent. These cleaners may transmit taste to the ice cubes, or damage and discolor the interior. You should unplug the unit before cleaning the exterior and interior.

Routine maintenance:

1. Take out the ice basket.
2. Add a mild cleaning solution mixture to the water reservoir. Use a 10:1 ratio of water to either white vinegar or lemon juice.
3. Run the ice maker to make at least two (2) batches of ice. Discard the ice.
4. Drain the cleaning solution from the water reservoir.
5. Remove the water line from above the evaporator and clean and rinse it out.
6. Add fresh water to the water reservoir up to the water mark.
7. Run the ice maker to make at least two (2) batches of ice. Discard the ice.
8. Drain the water.
9. Add fresh water to the water reservoir to make ice, or dry the interior and exterior with a clean soft cloth to store the machine.
10. The ice scoop should be washed regularly. Wash it just like any other utensil.

If the ice has a strange taste:

If the ice has an unappealing taste or the unit develops a musty odor, try running a few cycles of the ice maker with a mild white vinegar or lemon juice solution. Then empty out all the vinegar or lemon juice solution and run a few cycles with plain water to eliminate all traces of the vinegar or lemon juice. If you find the bad taste remains after this procedure, use a solution of 2 tablespoons of baking soda to a full water reservoir of water left in the unit overnight to absorb any remaining odors/tastes. Drain the solution, rinse the water reservoir, and dry the interior.



Note: DO NOT turn the ice maker upside-down while you are cleaning or drying the unit. The oil inside the compression unit will shift, which could result in the ice maker breaking or becoming inoperable.

If the ice maker will not be used for an extended period of time, you should unplug the unit from power, drain the water from the reservoir and dry the interior with a clean soft cloth.

Troubleshooting

Before Calling for Help:

If the unit appears to be malfunctioning, read through the “Operation” section of this manual first. If the problem persists, check the Troubleshooting Guide below and on the following page. The problem may be something that can easily be solved or explained.

Issue	Possible Cause	Solution
No Power	The ice maker is unplugged.	Plug the ice maker in.
	The ice maker power switch is OFF.	Press the power button. The Power Indicator light should be solid green.
	Power outlet does not work.	Try a different power outlet. If the unit works on a different circuit, you may need to contact a certified electrician to resolve the power issue.
	Insufficient power	Connect the ice maker on a circuit that is able to provide enough power. Check the product label for power requirements.
	Hardware malfunction	Contact EdgeStar support.
Water is leaking out the unit.	The side drain plug is not installed.	Make sure the drain plug is firmly installed. An extra drain plug is included with the unit.
	An internal hose may have been dislodged or disconnected.	Contact EdgeStar support.
Noise during operation	The unit may not be level	Make sure the unit is level and not at an incline.
	Certain sounds are normal.	See the “Normal Sounds” section of this owner’s manual.
	A loud knocking or metallic pinging noise may be caused by a damaged compressor.	Contact EdgeStar support.

Issue	Possible Cause	Solution
Unit goes through the ice making process, but no ice is produced, or ice cubes are very thin and small.	The room temperature or water may be too hot. The unit is designed to work in a room that is above 50°F and below 90°F.	If the unit is run in a room that is particularly warm such as a sunroom or laundry room, please move the unit to a cooler room and try again.
	The fan may not be turning on to cool down the condenser coils.	Contact EdgeStar support.
The “Add Water” light is on even though the unit is full of water.	The water filter may be clogged.	Use a brush with plastic bristles to clean the filter at the bottom of the water reservoir.
	The type of water may not have enough impurities, i.e., distilled, reverse osmosis [RO], purified, etc.	Add a pinch of salt to the water. This will add minerals to the water which will allow the unit to detect the water.
The unit has a strange smell or the ice being produced has an unappealing taste	The unit may need to be cleaned.	Read the Cleaning and Maintenance section of this manual.
Power and ice size indicators are on, but the unit does not respond to the control panel.	The unit is in standby mode and the power light may be blinking on and off.	Press the On/Off button until the Power light turns on and is no longer blinking.
	The circuit board may need to be reset.	Unplug the unit for one hour. Plug the unit in and press the power button.
	If after resetting the unit the control panel does not respond, you may have a faulty control panel.	Contact EdgeStar support.
Ice case moves back and forth repeatedly, and the water pump does not turn on.	The unit may have a problem with a micro-switch.	Contact EdgeStar support.

Specifications

Product Type	Portable Ice Maker
Model (Color)	PIM100BL (Black) PIM100SS (Stainless Steel)
Voltage / Frequency	AC 115V ~ 60Hz
Current (Ice Making - Ice Harvesting)	1.7 - 2.1A
Ice Storage Capacity	2.2 lbs
Ice Making Capability	Up to 26.5 lbs / day
Refrigerant	R600a (0.99oz / 28g)
Dimensions (Width x Depth x Height)	11 11/16" x 14 7/16" x 14 7/8"
Net Weight	22 lbs (PIM100BL) / 23 lbs (PIM100SS)



Note: The actual quantity of ice produced in a 24hour period will vary with room and water conditions.



Note: Technical data and performance information are provided for reference only. Specifications are subject to change. Check the rating label on the ice maker for the most accurate information.

EdgeStar Limited Warranty

One Year Parts & 90 Days Labor

This product is warranted by EdgeStar and is subject to any conditions set forth as follows:

WHAT IS COVERED:

LABOR: For a period of NINETY (90) DAYS from the date of original purchase, labor will be performed free of charge at an authorized EdgeStar repair facility. At its option, EdgeStar will repair the product with new or remanufactured parts, or exchange the defective product with a new, refurbished, or remanufactured product. If a product is replaced, it will carry the remaining warranty of the original product. After the ninety (90) day period, EdgeStar will no longer be responsible for labor charges incurred. All defective products and parts covered by this warranty will be repaired or replaced on a mail-in basis to an EdgeStar authorized repair facility.

PARTS: For a period of ONE (1) YEAR from the date of original purchase, EdgeStar will supply new, rebuilt, or refurbished parts free of charge. EdgeStar may request a defective part be returned in exchange for the replacement part. All replacement parts or products will be new, remanufactured, or refurbished. All products and parts replaced by EdgeStar under warranty service become the property of EdgeStar.

This warranty applies to the original purchaser only, and only covers defects in workmanship experienced during operation of the product under normal service, maintenance, and usage conditions. This warranty applies to the purchase and use of this product in residential settings within the United States of America.

WHAT IS NOT COVERED- The following limitations apply to the coverage of this warranty. This warranty does not cover:

The following limitations apply to the coverage of this warranty. This warranty does not cover:

- Labor charges for installation, setup or training to use the product.
- Shipping damage, and any damage caused by improper packaging for shipment to an authorized service center, and any damaged caused by improper voltage or any other misuse, including abnormal service, handling, or usage.
- Cosmetic damage such as scratches and dents.
- Normal wear and tear on parts or replacement of parts designed to be replaced, e.g. filters, cartridges, batteries.
- Service trips to deliver, pick-up, or repair, install the product, or to instruct in proper usage of the product.
- Damages or operating problems resulting from misuse, abuse, operation outside environmental specifications, uses contrary to instructions provided in the owner's manual, accidents, acts of God, vermin, fire, flood, improper installation, unauthorized service, maintenance negligence, unauthorized installation or modification, or commercial use.
- Labor charges incurred 91 days or more after the date of original purchase.
- The use of EdgeStar products in commercial settings.
- Optional accessories, attachments, and appearance items.
- Products that have been modified to perform outside of specifications without the prior written permission of EdgeStar.
- Products lost in shipment, or theft.
- Products sold AS IS or from an unauthorized reseller.
- Products that have had their serial numbers removed or defaced. Products with serial numbers that have been invalidated.

OBTAINING WARRANTY SERVICE: If you believe your product is defective, contact EdgeStar Customer Support for troubleshooting assistance and warranty service at www.edgestar.com or call 1-866-319-5473. Before contacting Customer Support you are required to have your model number, serial number, and proof of purchase available upon request. Once an EdgeStar authorized representative has confirmed that your product is defective and eligible for warranty service, the product must be returned to an EdgeStar authorized repair facility. EdgeStar is not responsible for damage resulting from shipper mishandling or improper packaging. Do not return a defective product to the place of purchase. Products received without a return authorization number will be refused.

THIS WARRANTY IS IN LIEU OF ANY OTHER WARRANTY, EXPRESS OR IMPLIED, INCLUDING WITHOUT LIMITATION, ANY WARRANTY OF MERCHANTABILITY OR FITNESS FOR A PARTICULAR PURPOSE. TO THE EXTENT ANY IMPLIED WARRANTY IS REQUIRED BY LAW, IT IS LIMITED IN DURATION TO THE EXPRESS WARRANTY PERIOD ABOVE. NEITHER THE MANUFACTURER NOR ITS DISTRIBUTORS SHALL BE LIABLE FOR ANY INCIDENTAL, CONSEQUENTIAL, INDIRECT, SPECIAL, OR PUNITIVE DAMAGES OF ANY NATURE, INCLUDING WITHOUT LIMITATION, LOST REVENUES OR PROFITS, OR ANY OTHER DAMAGE WHETHER BASED IN CONTRACT, TORT, OR OTHERWISE. IN NO EVENT AND UNDER NO CIRCUMSTANCE OF ANY TYPE OR KIND SHALL THE SELLER, MANUFACTURER AND/OR DISTRIBUTOR BE LIABLE FOR ANY REASON, UNDER ANY THEORY, FOR MORE THAN THE BASIC COST OF THE PRODUCT TO THE PURCHASER OR END USER. SOME STATES DO NOT ALLOW THE EXCLUSION OF INCIDENTAL OR CONSEQUENTIAL DAMAGES, SO THE ABOVE EXCLUSION MAY NOT APPLY TO YOU. THIS WARRANTY GIVES YOU SPECIFIC LEGAL RIGHTS. YOU MAY HAVE OTHER RIGHTS THAT VARY FROM STATE TO STATE.

EDGE STAR[®]