

EDGE STAR[®]

SUBMITTAL DATA: MSPLIT12000W (MSEVA12000W & MSCON12000W) Split Air Conditioner and Heat Pump

Job Name:	Location:
Purchaser:	P.O. No.:
Engineer:	Architect:
Submitted To:	Date:
Submitted By:	For: <input type="checkbox"/> Reference <input type="checkbox"/> Approval <input type="checkbox"/> Construction
Unit Designation:	Schedule No.:
	Model No.:

GENERAL FEATURES

- Wall-mounted indoor unit
- 5 operating modes: Auto, Cool, Dry, Fan, Heat
- 6 fan speeds: Low, Medium-low, Medium, Medium-high, High, Auto
- Multidirectional auto swing air louvers
- 24 hour timer
- Quiet operation
- Energy saving function
- Wireless remote control
- Manual power button on indoor unit
- Limited warranty: five year parts and two year labor



ACCESSORIES

Outdoor Unit

- 16.4' (5m) of copper pipe with insulation
- 6.5' (2m) of drainage pipe
- Wall cover
- Wrapping tape

Indoor Unit

- Mounting plates
- Mounting screws

SPECIFICATIONS

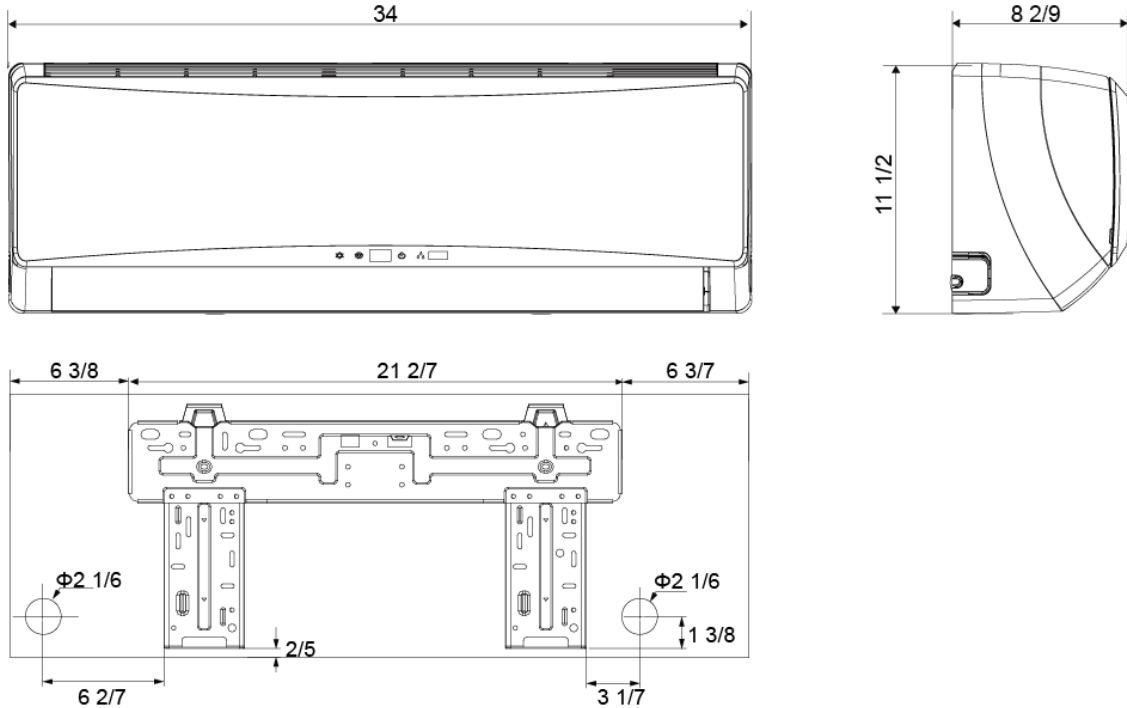
Description of product	Indoor Unit	Outdoor Unit
Model*	MSEVA12000W	MSCON12000W
Voltage / Frequency	208-230 V / 60 Hz	
Recommended Breaker Size	15A**	
BTUs (Cooling / Heating)	12,000 / 13,000	
Ambient Temperature Range Cooling (° F)	---	-0.4° ~ 115°
Ambient Temperature Range Heating (° F)	---	-4° ~ 75.2°
SEER	---	25.0
Rated Input	1,400 W	
Rated Current	9.0 A	
Dehumidification Capacity (Pints / Hour)	2.96	
Refrigerant	R410A, 45.86 oz.	
Indoor Unit (MSEVA12000W) Sound Pressure Level (db)	24 – 44 dB***	
Dimensions (W x D x H)	34 ¹ / ₈ " x 8 ¹ / ₄ " x 11 ¹ / ₂ "	35 ³ / ₈ " x 14 ⁷ / ₈ " x 23 ¹ / ₂ "
Net Weight	24.25 lbs.	87.1 lbs.

*The combined split air conditioner – composed of the MSEVA12000W indoor unit and the MCON12000W outdoor unit – is referenced as the EdgeStar **MSPLIT12000W**.

**The breaker must be 10 or 15 Amps for proper functionality.

***In quiet mode, the unit will emit as few as 24 decibels. Turbo mode, which accelerates the heating and cooling processes, may emit as many as 44 decibels.

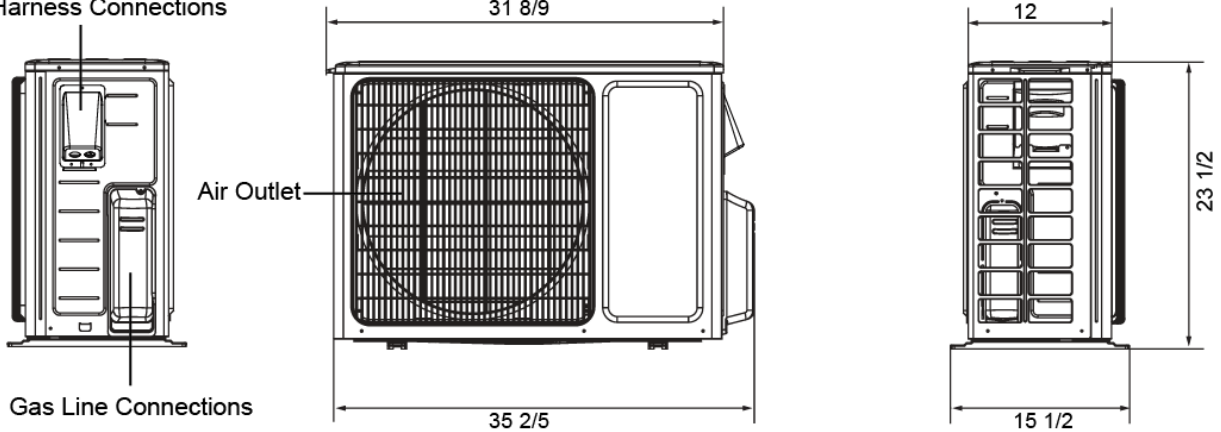
INDOOR UNIT (MSEVA12000W) DIMENSIONS



Unit: Inch

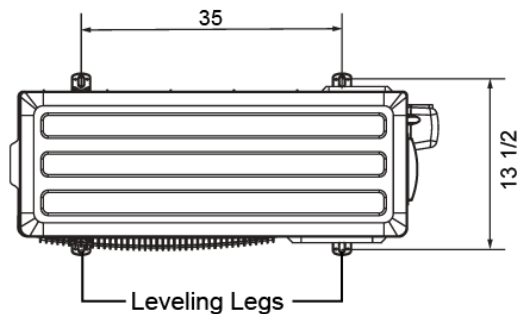
OUTDOOR UNIT (MCON12000W) DIMENSIONS

Wire Harness Connections



Gas Line Connections

Unit: Inch



Leveling Legs