

USER'S MANUAL

For information or service call or email:

Web: www.edgestar.com

Email: service@edgestar.com

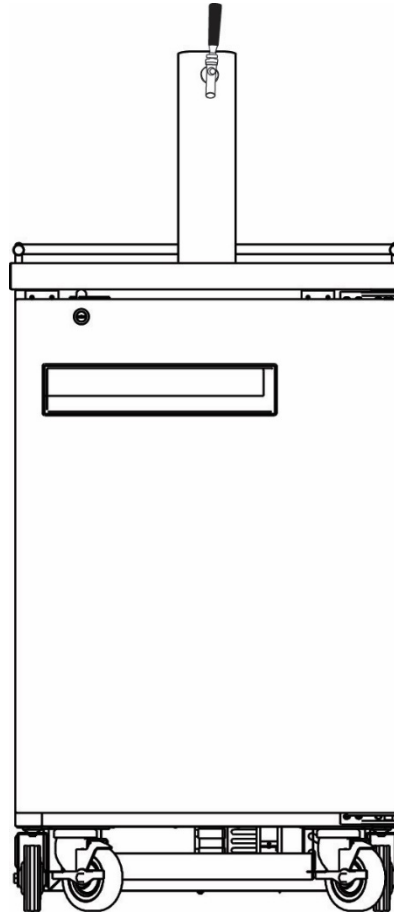
Phone: 1-866-319-5473

EdgeStar Products

500 N. Capital of Texas Hwy, Bldg 5

Austin, TX 78746

THE WARRANTY OF THIS KEGERATOR IS
DEPENDENT UPON REGULAR CLEANING
OF THE CONDENSER BEING PERFORMED.
PLEASE REFER TO BOTH THE CLEANING
AND MAINTENANCE AND WARRANTY
PAGES FOR MORE DETAIL AND
INSTRUCTION.



IMPORTANT SAFETY INFORMATION

Improper handling can cause serious damage to the EdgeStar kegerator and/or injury to the user. Please review the rating label located on the rear panel of the unit for electrical and other technical data related to this unit. The unit must be used in a properly grounded wall outlet. **Please read and follow the safety information listed below to reduce the risk of fire, electric shock, or injury.**



Electrical Safety

- Do not exceed the power outlet ratings.
- It is recommended the kegerator be connected on its own circuit.
- The unit must be installed in accordance with state and local electrical codes.
- A standard electrical supply (115 V, 60Hz), that is properly grounded in accordance with the National Electrical Code and local codes and ordinances is required.
- Use outlets that cannot be turned off by a switch or pull chain.
- Always turn the unit off and unplug it from the outlet when cleaning.
- Unplug the unit if it is not going to be used for an extended period of time.
- Do not operate the unit with a power plug missing the ground plug, a damaged cord, or a loose socket.
- Be sure the kegerator is properly grounded.
- Never plug or unplug the unit with wet hands.
- Do not bypass, cut, or remove the grounding plug.
- Do not use extension cords or power strips with this unit. You may need to contact your electrician if it is necessary to use a longer cord or if you do not have a grounded outlet. Do not modify the power cord's length or share the outlet with other appliances.
- Do not start or stop the unit by switching the circuit's power on and off.
- If the power cord is damaged, it must be replaced by the manufacturer or a qualified technician.
- Never repair the unit while it is plugged in.
- Immediately unplug the unit if it makes strange sounds, emits smells, or smoke comes out of it, and contact customer service.
- Do not remove any part of the casing unless instructed by an authorized technician.
- Contact customer service for service options if the unit needs service.

General Safety

- To prevent back and other types of injuries, use at least two people to move and install the kegerator.
- This unit is not intended for use by persons, including children, with reduced physical, sensory, or mental capabilities, unless they have been given supervision or instruction concerning the use of the appliance by the person(s) responsible for their safety.
- Install the unit in a well-ventilated area where the ambient temperature is above 50°F and below 90°F.
- The temperature range for this kegerator is optimized for beverage storage. Perishable food items may require a different storage environment.
- This unit is designed to be installed indoors, and protected from rain, sleet, snow, and/or moisture.
- This unit is not intended to be used by children.
- Never allow children to crawl inside the kegerator. If disposing the unit, remove the door.
- Do not use this unit near flammable gas or combustibles, such as gasoline, benzene, thinner, etc.
- Do not place the unit near heat sources such as ovens, grills, or direct sunlight.
- Only use in an upright position on a flat, level surface and provide proper ventilation.
- Do not pinch or kink the power supply line between the unit and cabinet.
- Do not leave any cleaning solutions in the unit.
- Do not use solvent-based cleaning agents or abrasive solutions to clean the unit as they may damage the interior and exterior.
- Do not place any other appliances on top of the unit.
- Do not turn the unit upside down, on its side, or at an angle off level.
- If your model is equipped with a lock, take care to keep the keys away from children.
- Do not move the unit without emptying the contents and securing the door in a closed position.

TABLE OF CONTENTS

IMPORTANT SAFETY INFORMATION	2
INTRODUCTION	4
REMOVAL FROM CRATE	5
INSTALLATION	5
Location	5
INSTALLATION OF ACCESSORIES	6
Guard Rail	6
Drip Tray	6
Internal Fan Pipe.....	6
Co2 Tank Assembly.....	6
OPERATION.....	7
Temperature Control.....	7
Self-Closing Door	7
DEFROSTING.....	7
CLEANING AND MAINTENANCE	8
Cleaning the Condenser	8
Interior Cleaning.....	8
Exterior Cleaning	8
PREPARING THE KEGERATOR FOR STORAGE	9
NORMAL SOUNDS	9
TROUBLESHOOTING	10
SPECIFICATIONS.....	11

First Time Operating Instructions:

Before use, make sure all packaging labels and materials are removed from the unit. Be sure to keep track of all included parts and pieces before discarding packaging materials. It is advised that you keep the original box and packaging materials in case you are ever to move or ship the appliance in the future.

Let the unit stand for at least 24 hours before you use it; this allows the cooling components time to settle from transit. The instruction manual should be read before use.

This owner’s manual is provided for reference use only. Specifications may change without prior notice. Refer to the product label on the back of your kegerator for the latest technical information.

INTRODUCTION

Thank you for purchasing this EdgeStar kegerator. We are glad you chose us. We believe that your purchase of this product opens a relationship between you and EdgeStar. We will provide the customer support needed to nurture that relationship.

This manual contains important information regarding the proper installation, use, and maintenance of your kegerator. Following this manual will ensure that your product will work at its peak performance and efficiency.

Please save the original product packaging in case you need to safely transport your kegerator.

For Your Records:

Please write down the model number and serial number below for future reference. Both numbers are located on the ratings label on the back of your unit and are needed to obtain warranty service. You may also want to staple your receipt to this manual as it is the proof of your purchase, and is also needed for service under your warranty.

Model Number: _____

Serial Number: _____

Date of Purchase: _____

To better serve you, please do the following before contacting customer service:

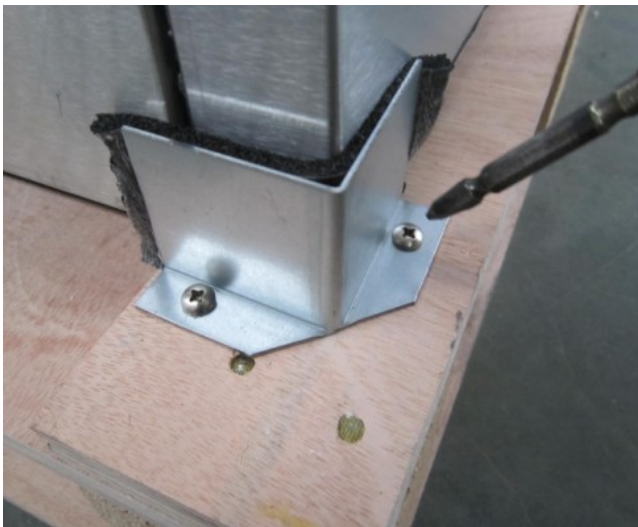
- If you received a damaged product, immediately contact the retailer or dealer that sold you the product.
- Read and follow this instruction manual carefully to help you install, use, and maintain your kegerator.
- Read the troubleshooting section of this manual as it will help you diagnose and solve common issues.
- Visit us on the web at <http://www.edgestar.com> to register your product and download product guides, additional troubleshooting resources, and up-to-date information.
- If you need warranty service, our friendly customer service representatives are available via email at service@edgestar.com or by telephone at 1 (866) 319-5473.

REMOVAL FROM CRATE

The kegerator is shipped with the casters or wheels already installed. To protect the refrigerator this product is shipped on a pallet secured with shipping brackets. These need to be removed before installation.

1. Remove the outer box and packaging materials.
2. Place the unit next to where the unit will be installed. **CAUTION:** Do not use the countertop as a lifting point when lifting the cabinet.
3. Using a screwdriver, remove the screws and brackets attached to the pallet as shown in the images below.
4. Discard the pallet and place the unit upright. **Note:** Before discarding pallet and packaging materials, ensure that there is no physical damage to the kegerator. Also, be sure to power on the kegerator and ensure that it is in good working order. See **Installation** section below for more details.

Remove the screws



Remove the bracket



INSTALLATION

The kegerator should be installed in accordance with local electrical code requirements. It should also be placed in a location that is strong enough to support its total weight, keeping in mind that it will weigh substantially more when fully loaded than when empty. The kegerator needs to be placed in a position where it will be level.

Before you plug the kegerator into a power supply, be sure to let it stand upright for at least 24 hours to allow the compressor's oils to settle.

Note: Instructions on assembling the dispense kit are separate from this manual and can be found on EdgeStar.com.

Location

This kegerator is designed for freestanding application. The unit should be located in an indoor, well-ventilated area with at least 3 inches of space between the surrounding walls and the cabinet for proper air circulation. Ensure that there will be proper access to the back of the unit for regular cleaning of the condenser. Please follow the safety information referenced on the Important Safety Information page in this manual.

INSTALLATION OF ACCESSORIES

The following accessories are included with the kegerator.

Guard Rail

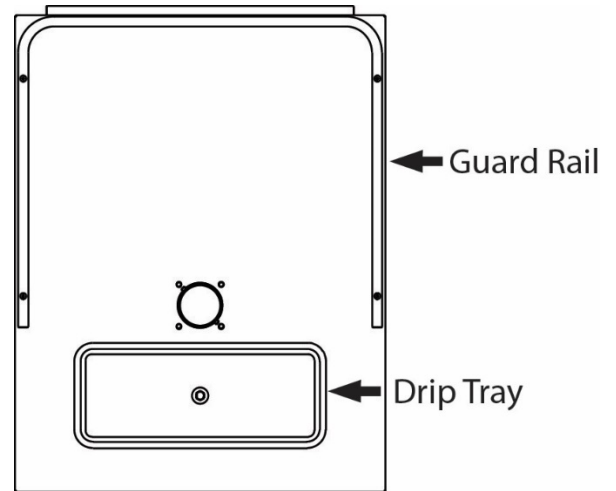
The guard rail helps to hold glasses on the top of the cabinet in order to avoid spills or broken glass. The guard rail should be installed to the countertop with the provided screws to lock it into position.

Drip Tray

The drip tray collects any runoff liquid from overfilled glasses, leaking faucets, or spills. There are several pieces included for this system including a grated panel cover for the countertop, drain hose, and bottle reservoir. The bottle reservoir allows excess drainage to flow into the cabinet to avoid having the tray overflow or having to frequently empty the tray. However, the bottle reservoir can only hold a certain amount of liquid and must be drained as well.

1. Connect drain hose inside the cabinet to the adapter located in the middle of the drip tray.
2. Ensure the hose is secured with the plastic clamp.
3. Attach the other end of the hose into the bottle reservoir.

NOTE: If the bottle reservoir is not used the hole in the drip tray must be plugged to avoid leakage into the cabinet.



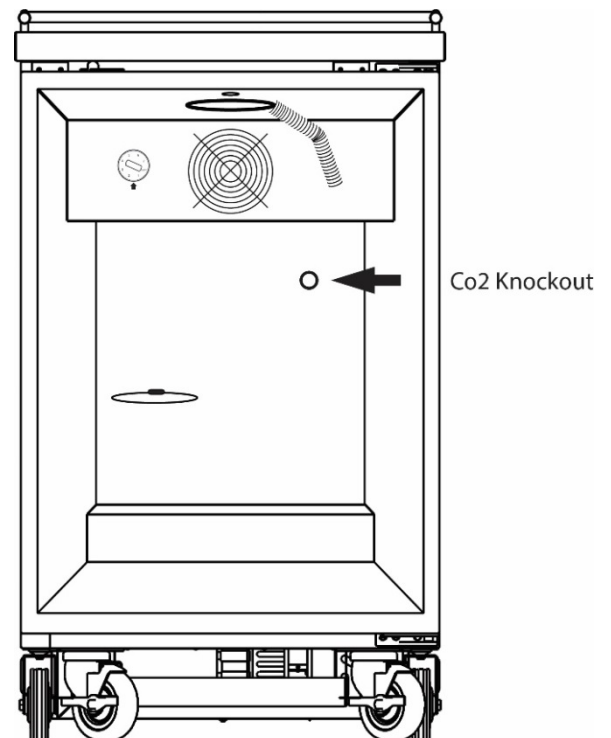
Internal Fan Pipe

The internal fan pipe is located to the right of the large internal fan inside the cabinet. The pipe allows cold air to be redirected up into the dispensing tower. This helps to ensure the liquid in the beverage line that runs through the tower stays cool like the rest of the refrigerator.

Co2 Tank Assembly

A Co2 tank holder is located inside the cabinet above the compressor step. Place the cylinder on top of this compressor step and secure into place using the strap. This will ensure the tank is locked into position. Cylinders larger than 5 lb. capacity may not fit inside the cabinet depending upon what keg configuration you have loaded.

The kegerator also has an option for an external Co2 tank assembly. The Co2 knockout is located inside the cabinet below the internal fan. It is designed to allow users to run a 9/16" O.D. gas line from inside the cabinet to an external large capacity Co2 (or other gas) tank. The knockout is optional; a rubber plug is included should the user decide to use an internal gas tank, when possible.

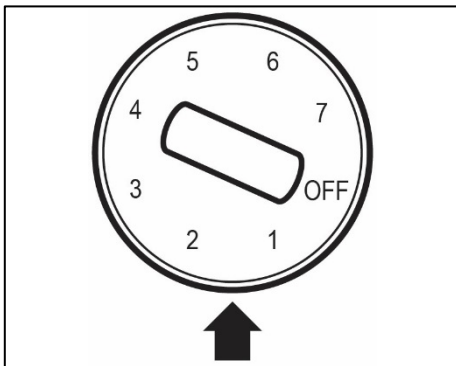


OPERATION

INSTALLATION CHECK LIST BEFORE OPERATION:

1. Have all packing materials and tape been removed from the interior and exterior of the kegerator?
2. Have the installation instructions been followed, including connecting the machine to electricity?
3. Has proper grounding been installed for the refrigerator?
4. Has the machine been leveled?
5. Is the kegerator in a site where the ambient temperature is between 50° F and 90° F all year round?
6. Is there a clearance around the unit for proper air circulation?

Temperature Control



The temperature control dial is located inside the cabinet next to the internal fan. To adjust the temperature of your kegerator rotate the control dial to the desired setting from 7 (coldest) to 1 (warmest).

NOTE: Whether your kegerator can reach the actual set temperature depends on the ambient environmental conditions.

CAUTION: Setting the temperature control to the coldest setting may cause the evaporator coil to freeze and ice up. This will eventually result in a warmer cabinet temperature. We recommend setting the temperature control dial to 4 when starting the kegerator and then progressively moving the dial up to 7 if a colder internal temperature is desired.

Self-Closing Door

The door of your new kegerator is designed to be self-closing when opened at an angle less than or equal to 90 degrees (perpendicular to the body of the kegerator). This is to ensure the door stays closed as frequently as possible, thus allowing the kegerator to reach and maintain the desired temperature as well as prevent frost from forming inside. When the door is open at an angle greater than 90 degrees, it will remain open, creating an easy work environment in which to change out kegs.

DEFROSTING

Note that under most refrigerating settings, the unit will automatically defrost under most ambient conditions. However, on colder settings, some frost may build up. Additionally, the more humid the ambient conditions, the more frost may build up. Keep the door closed as much as possible and avoid opening the door unnecessarily to minimize frost build-up.

If frost is preventing the door from closing properly, you may need to power the unit off until the frost melts. Use a soft absorbent towel to dry the unit.

WARNING: Never attempt to remove frost with a sharp object!

CLEANING AND MAINTENANCE

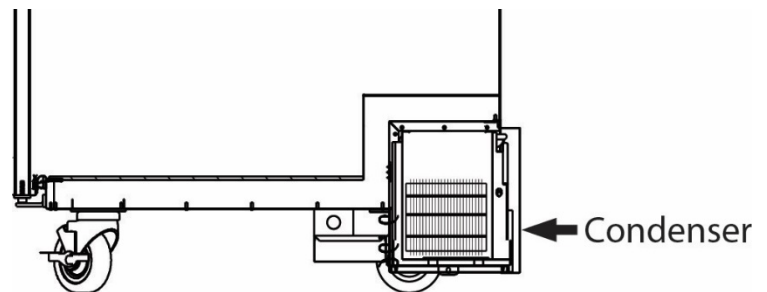
Periodic cleaning and proper maintenance of the refrigerator will ensure efficiency, top performance, and long life. Additionally, the dispense kit will need to be regularly cleaned. **NOTE:** Cleaning instructions of the dispense kit should be included in the separate installation guide of the dispense kit.

Cleaning the Condenser

It is common for commercial refrigerators to collect dirt, dust, and lint on the condenser during use. This collection of material will restrict air flow, reduce performance of the refrigerator, and will increase electrical costs. Regular cleaning of the condenser is imperative to ensure the unit runs efficiently and to maintain the life of the refrigerator. The condenser is located in the back of the refrigerator next to the external fan and compressor. To clean the condenser, follow these steps:

NOTE: *Cleaning of the condenser is not covered by the warranty. If you have any questions be sure to call EdgeStar service at 1-866-319-5473.*

1. Disconnect the power to the refrigerator.
2. Remove the screws of the compressor cover panel.
3. Using a vacuum, remove the dirt, dust, and lint built up on the condenser fins. Use care to not bend or damage the condenser fins.
4. Use a brush to clean any remaining particles. Be sure to brush the fins vertically, not side to side.
5. If needed, clean the condenser fan.
6. Reinstall the compressor cover and screws.
7. Reconnect power.



TIP: *It is recommended to clean the condenser every 30 days.*

Interior Cleaning

The refrigerator's interior should be cleaned occasionally.

1. Disconnect power to the unit.
2. Open the door and remove the contents.
3. Wait until the unit defrosts.
4. With a clean cloth, wipe down the interior of the unit.
5. Reconnect power to the unit.

Exterior Cleaning

The door and cabinet may be cleaned with a mild detergent and lukewarm water solution such as two (2) tablespoons of baking soda to one (1) quart of water. Do not use solvent based or abrasive cleaners. Use a soft sponge and rinse with clean water. Wipe with a soft clean towel to prevent water spotting. If the door panel is stainless steel, it can discolor when exposed to chlorine gas and moisture. Clean stainless steel with a cloth dampened with a mild detergent and warm water solution. Never use an abrasive or caustic cleaning agent.

PREPARING THE KEGERATOR FOR STORAGE

If the kegerator will not be used for a long time or is to be moved to another place, it will be necessary to defrost the unit and dry the interior.

1. Disconnect the refrigerator from the power supply by removing the power plug from the wall socket.
2. Leave the door open to allow for air circulation and to prevent mold, mildew, and unpleasant smells.
3. Once the interior is dry and clean the unit will be ready for storage.

CAUTION: *Store the unit out of the reach of children. If children are present, you may want to take additional precautions such as removing the door to prevent a child from being trapped inside the cooler.*

IMPORTANT: *Do NOT touch the power plug when your hands are wet. NEVER unplug the unit by pulling the plug.*

NORMAL SOUNDS

Your new kegerator may make sounds that are not familiar to you. Most of the new sounds are normal. Hard surfaces like the floor or walls can make the sounds seem louder than they actually are. The following describes the kinds of sounds that might be new to you and what may be making them.

- Rattling noises may come from the flow of the refrigerant or the water line.
- Items stored on top of the kegerator can also make noises.
- The high efficiency compressor may make a pulsating or high-pitched sound.
- Water running from the evaporator to the water bin may make a splashing sound.
- As each cycle ends, you may hear a gurgling sound due to the refrigerant flowing in your kegerator.
- You may hear air being forced over the condenser by the condenser fan.

TROUBLESHOOTING

Symptoms	Possible causes	Solutions
The kegerator turns on and off frequently.	The room temperature is higher than the recommended ambient environment.	Run the unit at the appropriate ambient temperature.
	The door is being opened often.	Minimize the number of times the door is opened.
	The door is not completely closed.	Make sure the door is completely closed.
	The door gasket is not sealing properly.	Make sure the door gasket is properly sealing.
The kegerator does not turn on.	There is a power failure.	Ensure the unit is plugged in and the power outlet has power.
	The unit is not plugged in.	Plug the unit in to a power outlet that has sufficient amperage.
	A fuse has blown or the circuit breaker is tripped.	Replace the broken fuse in your fuse box or reset the breaker.
The kegerator will not reach the desired temperature.	The unit is placed too close to a heat source.	Keep the unit away from direct sun light or other heat sources.
	The door is opened too frequently or for a long period of time.	Close the door tightly and do not open the door too frequently or for a long period of time.
	The condenser has particle buildup.	Read the "Cleaning the Condenser" section.
The kegerator is making strange noises.	Certain sounds are normal.	Read the "Normal Sounds" section.
	The unit is not level or is touching another appliance.	Check to make sure that the kegerator is level, and that it is not in contact with another appliance or furniture.
The body of the kegerator is electrified.	The unit is not grounded properly.	Contact your local electrician to test your electrical grounding system.
Frost is forming in the kegerator.	The environment is humid.	Though the unit uses an "auto-defrost" system, under certain conditions, manual defrosting may be required. If frost builds up, you can try running the kegerator on a warmer temperature setting, minimizing the number of times you open the door, or unplugging the unit to allow the frost to melt.
	The ambient temperature is too low.	
	The door is being opened too frequently.	
The door will not shut properly.	Your unit is not level.	Make sure the unit is on a level surface.
	The door gasket is dirty.	Clean the door gasket.
	The door gasket is not installed correctly.	Make sure the door gasket is properly installed.

SPECIFICATIONS

Description of product	Kegeerator
Model	ECK24BL / ECK24SS
Voltage/Frequency	AC 115V~60Hz
Amperage	1.8A
Input Power	178W
Color	ECK24BL – Black Cabinet; Black Door ECK24SS – Stainless Steel Cabinet; Stainless Steel Door
Storage Capacity Options	<ul style="list-style-type: none">• 1 Half Barrel Keg• 1 Half Barrel Oversized Keg• 1 Quarter Barrel Keg• 1-2 Slim Quarter Barrel Keg(s)• 1-4 Sixth Barrel Keg(s)• 1-4 Cornelius Keg(s)• 1 Slim Quarter Keg with 1 Sixth Barrel Keg
Refrigerant	R134a, 5.3 oz.
Temperature Range	33 - 39°F
Dimensions (H x W x D)	38 3/4" x 23 1/2" x 30 3/8"
Weight	132 pounds

Note: Technical data and performance information is provided for reference only.

Specifications are subject to change. Check the rating label on the kegeerator for the most accurate information.

This product is warranted by EdgeStar and is subject to any conditions set forth as follows:

WHAT IS COVERED:

For a period of TWO (2) YEARS from the date of original retail purchase, EdgeStar will repair or replace any part free of charge, including labor, that fails due to a defect in materials or workmanship. Labor will be performed free of charge at an authorized EdgeStar repair facility and EdgeStar will supply new, rebuilt or refurbished parts free of charge. EdgeStar may request a defective part be returned in exchange for the replacement part. All replacement parts or products will be new, remanufactured or refurbished. All products and parts replaced by EdgeStar under warranty service become the property of EdgeStar. After the 24 month period, EdgeStar will no longer be responsible for labor charges incurred or replacement parts. All defective products and parts covered by this warranty will be repaired or replaced on a mail-in basis to an EdgeStar authorized repair facility.

This warranty applies to the original purchaser only, and only covers defects in workmanship experienced during operation of the product under normal service, maintenance and usage conditions. This warranty applies to the purchase and use of this product within the United States of America.

Exceptions: Rental Use Warranty

90 days labor and parts from date of original purchase. No other warranty applies.

WHAT IS NOT COVERED - The following limitations apply to the coverage of this warranty. This warranty does not cover:

- Labor charges for installation, setup or training to use the product.
- Shipping damage, and any damage caused by improper packaging for shipment to an authorized service center, and any damaged caused by improper voltage or any other misuse, including abnormal service, handling or usage.
- Cosmetic damage such as scratches and dents.
- Cleaning of the condenser. (The condenser must be cleaned regularly).
- Normal wear and tear on parts or replacement of parts designed to be replaced, e.g. filters, cartridges batteries.
- Service trips to deliver, pick-up, or repair; install the product; or to instruct in proper usage of the product.
- Damages or operating problems resulting from misuse, abuse, operation outside environmental specifications, uses contrary to instructions provided in the owner's manual, accidents, acts of God, vermin, fire, flood, improper installation, unauthorized service, maintenance negligence, unauthorized installation or modification or commercial use.
- Labor, service transportation and shipping charges for the removal and replacement of defective parts, beyond the initial 24 month period.
- Products that have been modified to perform outside of specifications without the prior written permission of EdgeStar.
- Products lost in shipment, or theft.
- Products sold AS IS or from an unauthorized reseller.
- Products that have had their serial numbers removed, defaced or with serial numbers that have been invalidated.
- Damage from other than normal use.
- Replacement or repair of fuses, circuit breakers, wiring or plumbing.
- Damage to property from use of product.
- Damage from service other than from an authorized EdgeStar repair facility.
- Hoses, knobs, lint trays and all attachments, accessories and disposable parts.
- Any service charges not specifically identified as normal such as normal service area or hours.
- Any special or consequential damages arising out of the use of the product.

OBTAINING WARRANTY SERVICE: If you believe your product is defective, contact EdgeStar Customer Support for troubleshooting assistance and warranty service at www.edgestar.com or call 1-866-319-5473. Before contacting Customer Support you are required to have your model number, serial number and proof of purchase available upon request. Once an EdgeStar authorized representative has confirmed that your product is defective and eligible for warranty service, the product must be returned to an EdgeStar authorized repair facility. EdgeStar is not responsible for damage resulting from shipper mishandling or improper packaging. Do not return a defective product to the place of purchase. Products received without a return authorization number will be refused.

THIS WARRANTY IS IN LIEU OF ANY OTHER WARRANTY, EXPRESS OR IMPLIED, INCLUDING WITHOUT LIMITATION, ANY WARRANTY OF MERCHANTABILITY OR FITNESS FOR A PARTICULAR PURPOSE. TO THE EXTENT ANY IMPLIED WARRANTY IS REQUIRED BY LAW, IT IS LIMITED IN DURATION TO THE EXPRESS WARRANTY PERIOD ABOVE. NEITHER THE MANUFACTURER NOR ITS DISTRIBUTORS SHALL BE LIABLE FOR ANY INCIDENTAL, CONSEQUENTIAL, INDIRECT, SPECIAL, OR PUNITIVE DAMAGES OF ANY NATURE, INCLUDING WITHOUT LIMITATION, LOST REVENUES OR PROFITS, OR ANY OTHER DAMAGE WHETHER BASED IN CONTRACT, TORT, OR OTHERWISE. SOME STATES DO NOT ALLOW THE EXCLUSION OF INCIDENTAL OR CONSEQUENTIAL DAMAGES, SO THE ABOVE EXCLUSION MAY NOT APPLY TO YOU. THIS WARRANTY GIVES YOU SPECIFIC LEGAL RIGHTS. YOU MAY HAVE OTHER RIGHTS THAT VARY FROM STATE TO STATE.

EDGESTAR[®]

EdgeStar Products
500 N. Capital of TX Hwy, Bldg 5
Austin, TX 78746

Toll Free: 1-866-319-5473
Web: <http://www.edgestar.com>
E-mail: service@edgestar.com

Register your product, download owner's manuals, access additional troubleshooting resources, and obtain more information on other great EdgeStar products on the web at: **<http://www.edgestar.com>**

Product contents and specifications may change without notice.

Copyright © 2015 Living Direct, Inc. All rights reserved.