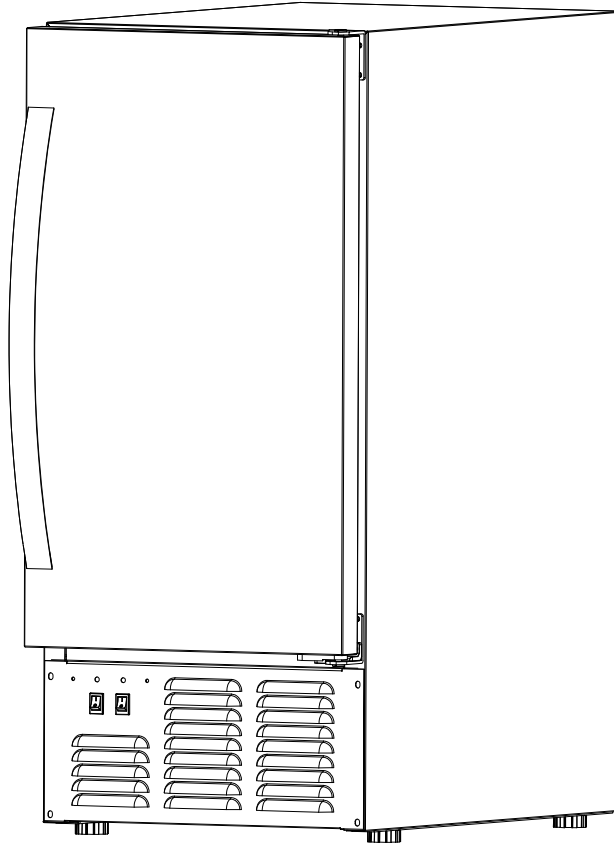


EDGESTAR[®]

Outdoor Ice Maker



OIM450SS

Owner's Manual

*For more information on other great EdgeStar products on the web, go to <http://www.edgestar.com>
To use the EdgeStar self-diagnostic tool, go to <https://support.edgestar.com>*

V2.7 04252022

Important Safety Information

Improper handling can cause serious damage to the EdgeStar ice maker and/or injury to the user. This ice maker is designed for domestic use only. Do not use the unit for industrial or commercial use. Any other use may invalidate the warranty. Please review the ratings label located on the rear panel of the unit for electrical and other technical data related to this unit. The unit must be used in a properly grounded wall outlet. Please read and follow the safety information listed below to reduce the risk of fire, electric shock, or injury. **Installation should only be done by a licensed plumber.**



Electrical Safety

- Do not exceed the power outlet ratings.
- It is recommended the ice maker be connected on its own circuit.
- The unit must be installed in accordance with state and local electrical, water and drain codes.
- A standard electrical supply (115 V, 60Hz), that is properly grounded in accordance with the National Electrical Code and local codes and ordinances is required.
- Do not use outlets that can be turned off by a switch or pull chain.
- Always turn the unit off and unplug it from the outlet when cleaning.
- Unplug the unit if it is not going to be used for an extended period of time.
- Do not operate the unit with a power plug missing the ground plug, a damaged cord or a loose socket.
- Be sure the ice maker is properly grounded.
- Never plug or unplug the unit with wet hands.
- Do not bypass, cut, or remove the grounding plug.
- Do not use extension cords or power strips with this unit. You may need to contact your electrician if it is necessary to use a longer cord or if you do not have a grounded outlet. Do not modify the power cord's length or share the outlet with other appliances.
- Do not start or stop the unit by switching the circuit's power on and off.
- If the power cord is damaged, it must be replaced by the manufacturer or a qualified technician.
- Never open the unit while it is plugged in.
- Immediately unplug the unit if it makes strange sounds, emits smells, or smoke comes out of it, and contact customer service.
- Do not remove any part of the casing unless instructed to do so by an authorized technician.
- You should never attempt to repair the unit yourself.
- Contact a customer service for service options if the unit needs service.



General Safety

- To prevent back and other types of injuries, use at least two people to move and install the ice maker.
- Install the ice maker in a well ventilated area where the ambient temperature is above 50° F and below 100° F.
- This unit is not intended to be used by children.
- Children should be supervised to ensure that they do not play with this product.
- Never allow children to crawl inside the ice maker.
- Do not use this appliance near flammable gas or combustibles, such as gasoline, benzene, thinner, etc.
- Do not place the unit near heat sources such as ovens and grills.
- Only use in an upright position on a flat, level surface and provide proper ventilation.
- Do not pinch or kink the water or power supply lines between the unit and cabinet.
- Unit installation must be in accordance with local plumbing code requirements.
- Make sure that the water supply lines and pipes are not pinched or kinked.
- Check for leaks after installation.
- Discard the first batch of ice cubes produced by the ice maker.
- Never turn the water supply tap off while the ice maker is running.
- If the unit has not been used for an extended period, thoroughly clean it before using it.
- Do not leave any cleaning solutions in the unit
- Do not use solvent-based cleaning agents or abrasive solutions on the interior as they may transmit taste to the ice cubes and damage the interior.
- Only connect a potable water supply.
- This appliance is not intended for use by persons, including children, with reduced physical, sensory or mental capabilities, unless they have been given supervision or instruction concerning the use of the appliance by the person(s) responsible for their safety.



Note: This owner's manual is provided for reference use only. Specifications may change without prior notice. Refer to the product label on the back of your ice maker for the latest technical information.



Note: Installation should only be done by a licensed plumber.

Table of Contents

| | |
|---|-----------|
| IMPORTANT SAFETY INFORMATION | II |
| TABLE OF CONTENTS | IV |
| INTRODUCTION | 1 |
| PARTS IDENTIFICATION | 2 |
| FRONT VIEW | 2 |
| BACK VIEW | 2 |
| INSTALLING THE ICE MAKER | 3 |
| <i>UNPACKING THE ICE MAKER</i> | 3 |
| TYPES OF INSTALLATION..... | 3 |
| <i>Freestanding installation:</i> | 3 |
| <i>Recessed installation:</i> | 3 |
| <i>Built-in installation:</i> | 3 |
| INSTALLATION CLEARANCE REQUIREMENTS | 4 |
| ELECTRICAL REQUIREMENTS | 5 |
| <i>Recommended Grounding Method</i> | 5 |
| INSTALLATION OF CASTERS | 6 |
| LEVELING THE ICE MAKER | 6 |
| REVERSING THE DOOR SWING..... | 7 |
| <i>To Remove the Door from the Hinges</i> | 7 |
| <i>To Replace the Door on the Hinges</i> | 7 |
| WATER SUPPLY CONNECTIONS | 8 |
| <i>Connecting the Water Line</i> | 8 |
| <i>Connecting the Drain Line:</i> | 9 |
| OPERATION | 9 |
| FINAL CHECK LIST BEFORE OPERATION | 9 |
| OPERATING METHOD | 10 |
| HOW THE MACHINE MAKES ICE | 10 |
| <i>Freeze</i> | 10 |
| <i>Harvest</i> | 10 |
| HOW THE MACHINE USES THE WATER | 11 |
| CONTROL PANEL (REAR OF UNIT)..... | 11 |
| NORMAL SOUNDS | 12 |
| PREPARING THE ICEMAKER FOR LONG STORAGE | 13 |
| CLEANING AND MAINTENANCE | 13 |
| <i>What Should be Kept Clean?</i> | 13 |
| EXTERIOR CLEANING..... | 14 |
| ICE BIN AND WATER TROUGH CLEANING | 14 |
| CONDENSER CLEANING..... | 14 |
| WATER DISTRIBUTION TUBE CLEANING | 15 |
| ICE-MAKING SYSTEM CLEANING | 16 |
| TROUBLESHOOTING | 17 |
| TROUBLESHOOTING CONTINUED | 18 |
| SPECIFICATIONS | 19 |
| EDGE STAR LIMITED WARRANTY | 20 |

Introduction

Thank you for purchasing this EdgeStar built in ice maker. We hope that this purchase will be the beginning of a lasting and rewarding relationship between you and EdgeStar. We will provide the customer support and exemplary products necessary to nurture that relationship.

This manual contains important information regarding the proper installation, use and maintenance of your ice maker. Following this manual will ensure that your product will work at its peak performance and efficiency.

Please save the original product packaging in case you need to safely transport your ice maker.

For Your Records:

Please write down the model number and serial number below for future reference. Both numbers are located on the ratings label on the back of your unit and are needed to obtain warranty service. You may also want to staple your receipt to this manual as it is the proof of your purchase, and is also needed for service under your warranty.

Model Number: _____

Serial Number: _____

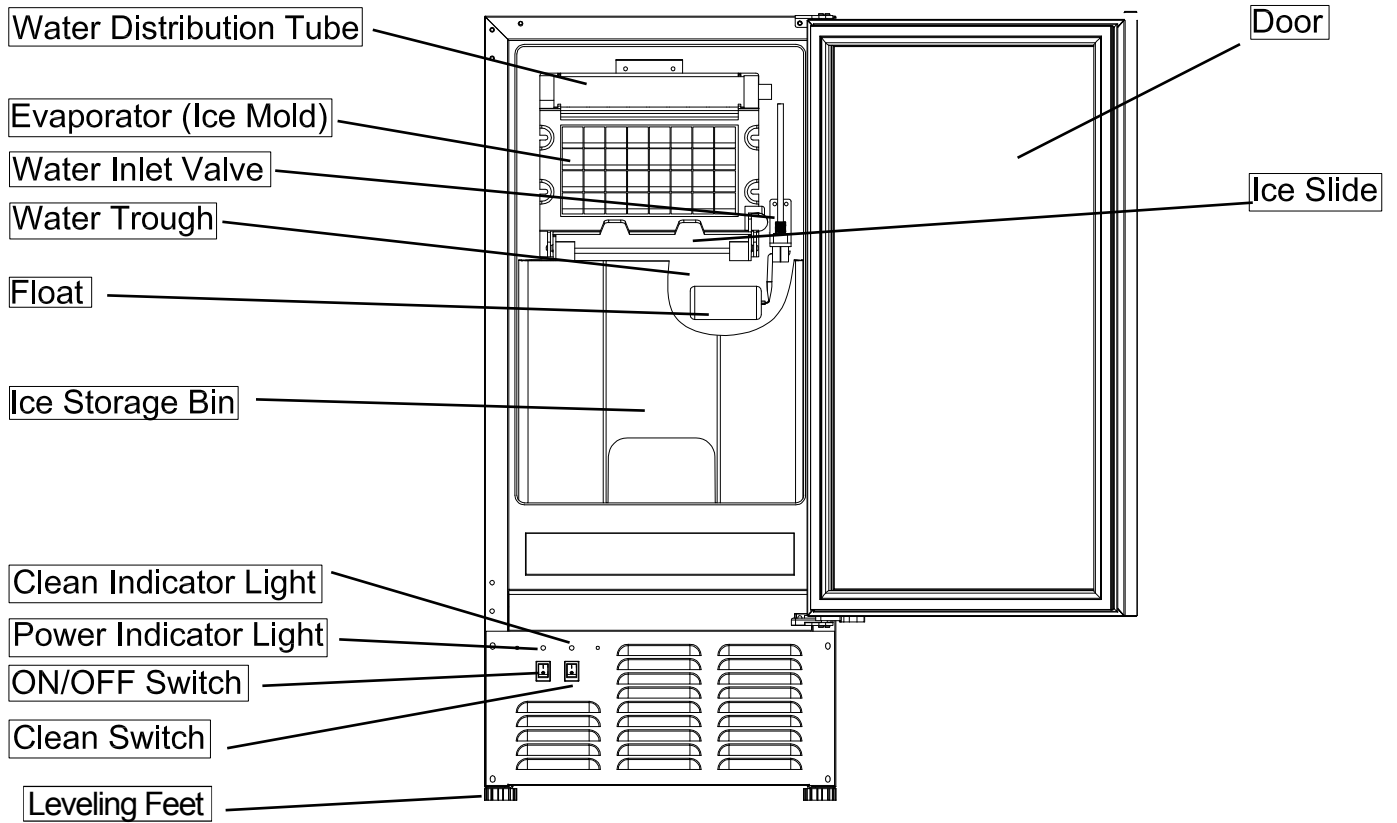
Date of Purchase: _____

For a more efficient experience, please do the following before contacting customer service:

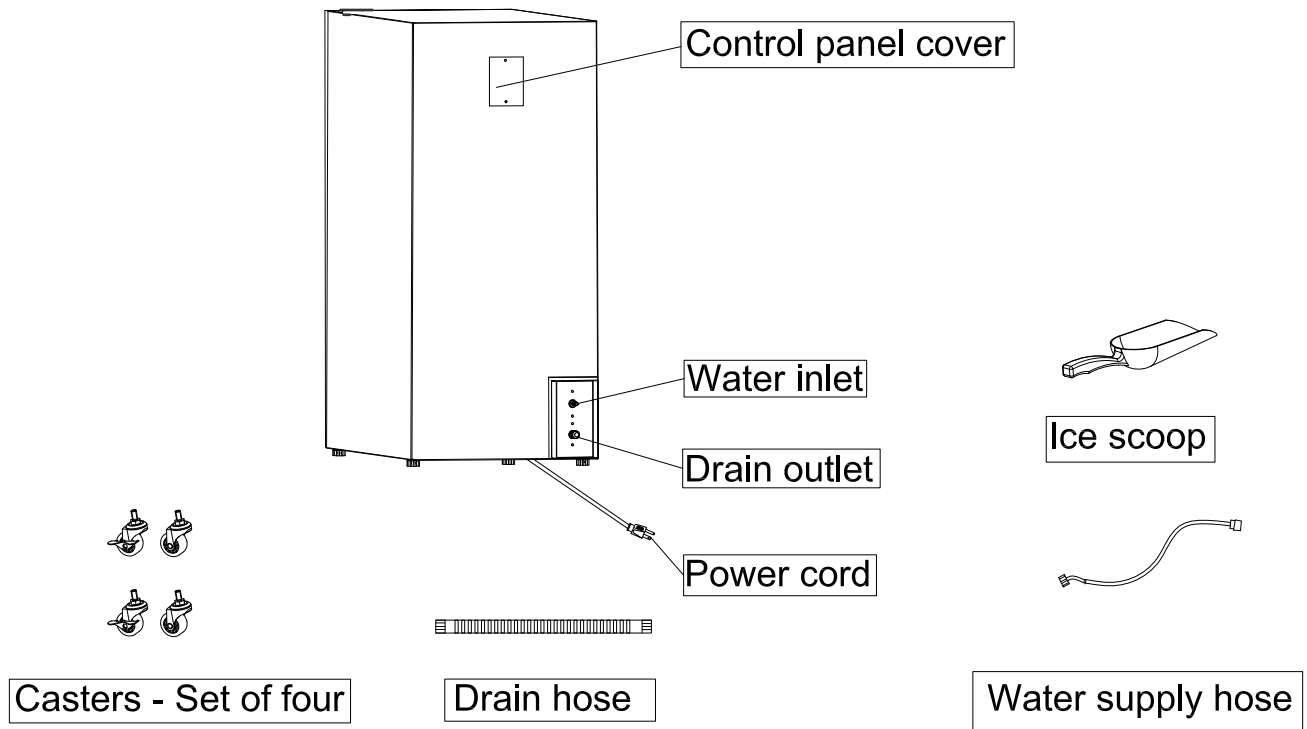
- If you received a damaged product, immediately contact the dealer that sold you the product.
- Read and follow this instruction manual carefully to help you install, use, and maintain your ice maker.
- Read the troubleshooting section of this manual as it will help you diagnose and solve common issues.
- Visit us on the web at <http://www.edgestar.com> to register your product, download product guides, additional troubleshooting resources, and up-to-date information. You can also find an interactive self-diagnostic tool at <https://support.edgestar.com>.
- If you need warranty service, our friendly customer service representatives are available via email at **service@edgestar.com**.

Parts Identification

Front View



Back View



Installing the Ice Maker



Warning: Use two or more people to move and install the ice maker. Failure to do so can result in back or other injury.

The ice maker should be installed by a licensed plumber in accordance with local electrical and plumbing code requirements.

Before you plug the ice maker in, be sure to let it stand upright for at least 24 hours to allow the compressor's oils to settle.

Unpacking the Ice Maker



Important: Do not remove any safety, warning, or product information labels from your ice maker.

Carefully remove the packaging materials. Remove any shipping tape and glue from your ice maker before using. Do not use sharp instruments, rubbing alcohol, flammable fluids, or abrasive cleaners to remove tape or glue. These products can damage the surface of your icemaker.

Types of Installation

This ice maker has been designed for freestanding, recessed, or built-in installation. In each case, there must be adequate ventilation and access for service in a location where the ambient temperature is between 50° and 100° F. Do not install near heat sources.

Freestanding installation:

Freestanding installation will allow you to install the icemaker in any place with access to a water supply and a drain. You must follow the stated instructions for electrical requirements, water supply and drain, and leveling the icemaker.

Recessed installation:

Recessed installation will allow you to install the icemaker under a counter or in a kitchen cabinet provided the required clearance space around the ice maker is followed. This installation has the same requirements as a built-in installation.

Built-in installation:

Ensure there is adequate ventilation space around the unit (make sure there is at least some ventilation room for the back of the unit). The following additional items must be observed.

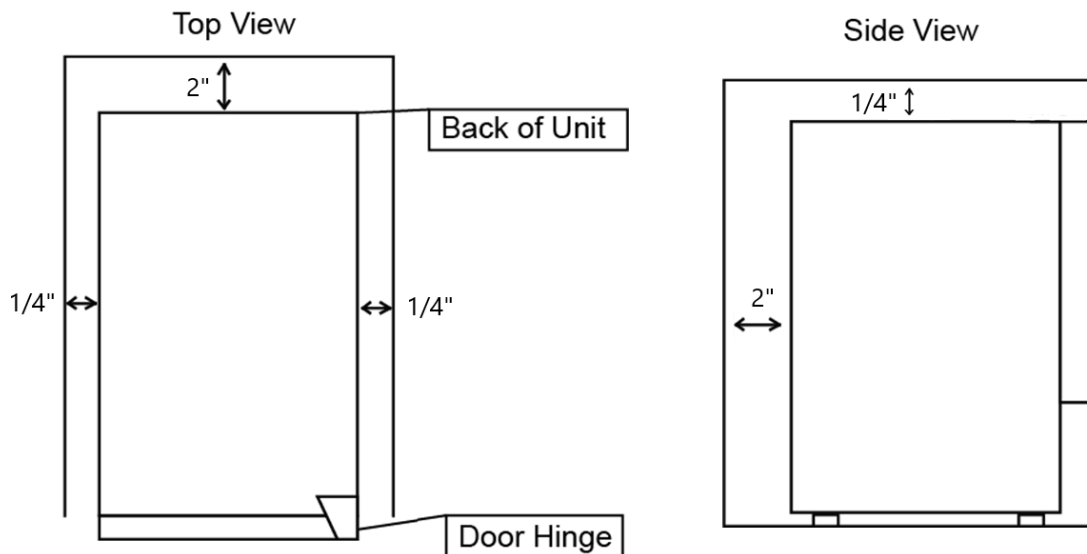
1. Place the ice maker in front of the installation location. Remove the feet and place the unit flat on the floor or on a platform depending on your installation requirements.
2. The water supply pipe must be plumbed before connecting to the ice maker. Install the drain line into your drain.
3. Turn on the main water supply and tap. Check for water supply connection leaks. Tighten any connections (including connections at the tie-in).
4. If the electrical outlet for the ice maker is behind the cabinet, plug in the ice maker.
5. Push the ice maker into position.
6. Seal all around the cabinet to the floor with an approved caulking compound.

Installation Clearance Requirements



Note: This icemaker should be installed by a licensed plumber only.

- To ensure proper service access and ventilation, allow more than 2" of clearance at the rear and 1/4" at the top and at the sides. The installation should allow the icemaker to be pulled forward for servicing if necessary.
- When installing the ice maker under a counter, follow the recommended spacing dimensions shown. Place electrical and water supplies and drain fixtures in the recommended locations as shown.
- Choose a well ventilated area with temperatures above 50° F and below 100° F. This unit **MUST** be installed in an area protected from the elements, e.g., wind, rain, water spray or drips.
- The icemaker should not be located next to ovens, grills or other high heat resources.
- The ice maker requires a continuous water supply with a minimum pressure of 15 PSI and a static pressure not to exceed 80 PSI. The temperature of the water feeding into the ice maker should be between 41° F and 90° F for proper operation. The ambient operational temperature should be between 50° F and 100° F. Operation outside these temperatures may result in lowered production or other adverse effects.



- The unit should be located on a firm and level surface. It is important for the ice maker to be level in order to work properly. If needed, you can adjust the height of the ice maker by rotating the feet. See the "Leveling the Ice Maker" section.
- A standard electrical supply (115 VAC only, 60 Hz, 15 A), properly grounded in accordance with National Electrical Code and local codes and ordinances is required.



IMPORTANT: Do not kink or pinch the power supply cord between the ice maker and wall or cabinet.

Electrical Requirements

⚠ DANGER ⚠



Electrical Shock Hazard

- Plug into a grounded 3-prong outlet.
- Never remove the grounding prong from the plug.
- Never use an adapter.
- Never use an extension cord.
- Failure to follow these instructions can result in fire, electrical shock, or death

Before you move your icemaker into its final location, it is important to make sure you have the proper electrical connection:

A standard electrical supply (115 V, 60Hz.), properly grounded in accordance with the National Electrical Code and local codes and ordinances, is required.

It is recommended that a separate circuit, serving only your icemaker, be provided. Use receptacles that cannot be turned off by a switch or pull chain.

The fuse (or circuit breaker) size should be 15 amps.

Recommended Grounding Method

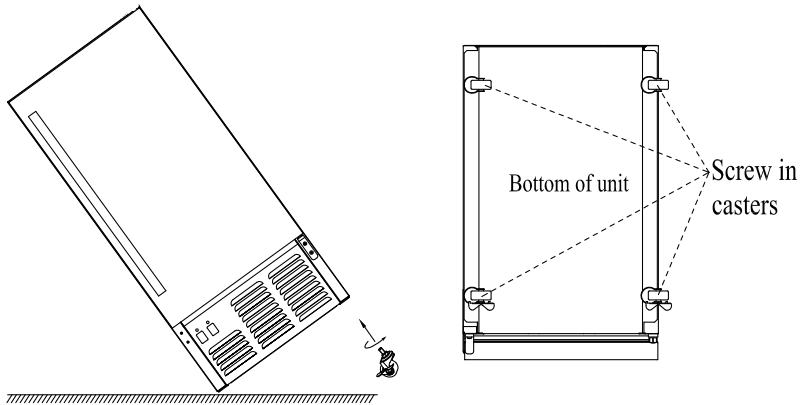
For your personal safety, this appliance must be grounded. It is equipped with a power supply cord having a 3-prong grounding plug. To minimize possible shock hazard, the cord must be plugged into a mating 3-pronged and grounding-type wall receptacle, grounded in accordance with the National Electrical Code and local codes and ordinances. If a mating wall receptacle is not available, it is the personal responsibility of the customer to have a properly grounded, 3-prong wall receptacle installed by a qualified electrician.

Installation of Casters



Important: Use at least two or more people to properly install casters.

1. Tilt the unit to one side with one person supporting it.
 2. Remove the existing leveling feet on the raised side.
 3. Insert the casters into the holes adjacent to leveling feet (the casters do not go into the same holes as the leveling feet) and tightly screw in clockwise.
 4. Repeat steps 1-3 for other side.
- Please follow the diagram pictured below.



Leveling the Ice Maker



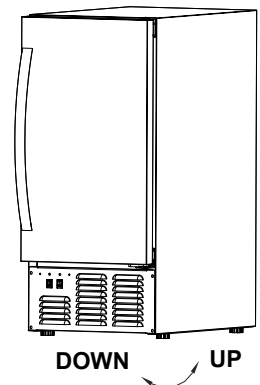
Important: Before you begin, unplug the ice maker or disconnect the power.

It is important for the icemaker to be leveled in order to work properly. It can be raised or lowered by rotating each of the four feet on the bottom of the machine. If you find that the surface is not level, rotate the feet until the ice maker becomes level. You may need to make several adjustments to level it. We recommend using a carpenter's level to check the machine.

1. Place a carpenter's level on top of the product to see if the ice maker is level from front to back and side to side.
2. Adjust the height of the feet as follows:

Turn the leveling feet to the right to lower that corner of the ice maker.
Turn the leveling feet to the left to raise that corner of the ice maker.

3. If using casters, add washers to the threaded section and re-tighten caster to raise that corner of the ice maker.



Important: Once you are ready to install it in a cabinet or directly on the floor, you must adjust the feet to level the ice maker. If the floor is level, just revolve the two front feet to touch the floor.

Reversing the Door Swing

Tools needed: flathead screwdriver, Phillips screwdriver



Important: Before you begin, unplug the ice maker or disconnect power.

To remove the door from hinges:

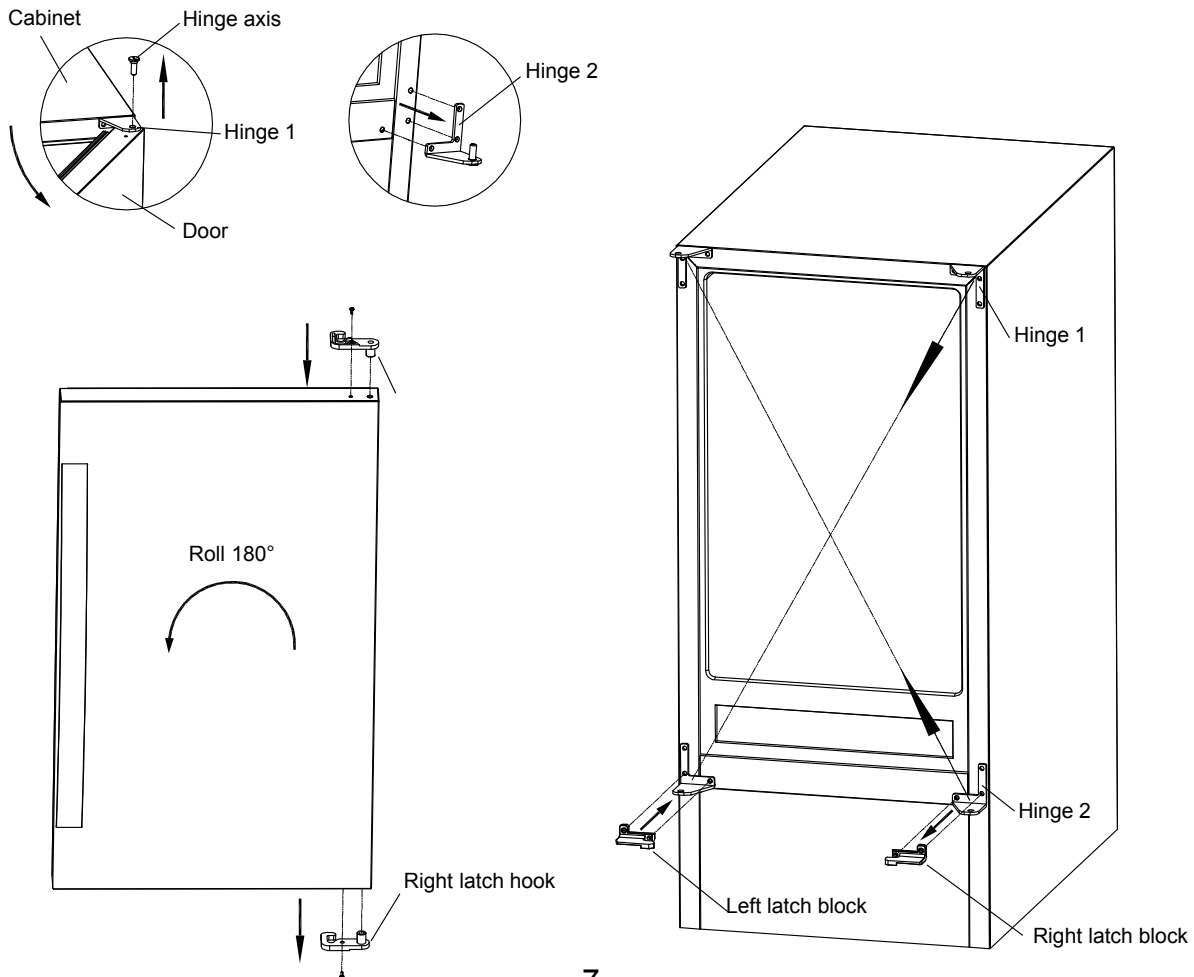
1. Using a flathead screwdriver, separate the hinge axis from Hinge 1. Set aside.
2. Open the door about 20° around the axis of Bottom Hinge 2, then lift the door off Bottom Hinge 2.

To reset the door latch

1. Remove the right latch hook located in the right bottom of the door and the sleeve in the Top of the door.
2. Install the left latch hook (in the accessory bag) on the top right and insert the sleeve to the bottom right. use the cap to cover the open holes.
3. Rotate the door 180°, ready to install to the other side. Please keep the right latch hook&block for later use.

To replace the door on hinges:

1. Using a flathead screwdriver, remove the plug buttons from the screw holes opposite the door hinges, top and bottom. Set aside.
2. Replace the axis on the Hinge 1 and tighten it firmly. Remove Hinge 1 and install it with left latch block (in accessory bag) on the opposite bottom side.
3. Remove Hinge 2 and take down the right latch block, place Hinge 2 on the opposite top side. Separate the axis from Hinge 2 and set it aside.
4. Install and align the door on Bottom Hinge 1 and replace axis on Hinge 2. Tighten it firmly.



Water Supply Connections

The water supply should be ready at the point of installation. The water supply pressure should be a minimum of 15 psig with a static pressure not more than 80 psig. (A wall outlet directly behind the ice maker will make installation easier.)



Important:

1. All installations must be in accordance with local plumbing code requirements.
2. Make certain that the pipes are not pinched or kinked or damaged during installation.
3. Check for leaks after connection.

Tools required: ½ in. open-end wrench, Phillips screwdriver

Connecting the Water Line

1. Turn off the main water supply. Turn on the nearest faucet long enough to clear the line of water.
2. Find a ½" to ¾" vertical cold water pipe near the installation location. The distance should be less than 9 feet. The water supply hose provided with the ice maker is about 9 feet long.
3. A shut-off valve must be installed to the main water supply. If the water pipe has a plain piece of copper tubing, attach a ¼" O.D. compression union to the tubing and remove the nut.
4. Connect nuts of the water supply hose to the tap and water inlet valve. Tighten the nuts firmly by hand, then one-half turn with wrench.
5. Turn on the main water supply and tap. Check for water supply connection leaks. Tighten every connection (including connections at the water inlet).



Note: In general, it is always a good idea to filter the water. A water filter can remove taste and odors as well as particles. Where water is very hard, softened water may result in white, mushy cubes that stick together. Deionized water is not recommended.

Connecting the Drain Line:



Note: There is a drain outlet on the ice maker. Please drain water through the drain hose provided with the ice maker.

1. Locate the floor drain near the ice maker. The distance should be less than 4.5 feet since the length of the long drain hose provided with the ice maker is about 4.5 feet.
2. Connect the drain hose to the back of ice maker, then insert the other end of the hose into the drain line.
3. All horizontal runs of drain lines must have a fall of 1/4" per foot. An air gap will likely be required between the ice maker drain hose and the drain/waste receptacle. A stand pipe with a trap below it would be acceptable for the drain/waste receptacle. A floor drain is also acceptable.
4. Pour 1 gallon of water into the ice storage bin to check for proper drainage.



Note: A condensate pump can allow for installation further from your drain. Consult your plumber for advice.

Operation

Final Check List before Operation

1. Have all packing materials and tape been removed from the interior and exterior of the ice maker?
2. Did you clean the ice storage bin?
3. Have the installation instructions been followed, including connecting the machine to water and electricity? Does the unit have proper drainage?
4. Has the machine been leveled?
5. Is the ice maker in a site where the ambient temperature is between 50° F and 100°F and the water temperature between 41° F and 90° F all year round?
6. Has the water supply pressure been checked to ensure a minimum of 15 psig with a static pressure not to exceed 80 psig?
7. Is there a clearance of at least 2" at the rear and 1/4" at the top and sides for proper air circulation?
8. Has the power supply voltage been checked or tested against the nameplate rating? And has proper grounding been installed for the ice maker?
9. Is the ice maker plugged in?
10. Have you turned on the main water supply and the tap?
11. Have you checked for leaks at all water supply connections - and at the drain?

Operating Method

1. Turn on the water tap, let the water trough fill, and then switch the ICE/OFF/WASH switch on the front panel to the ICE position. The ice maker will start working automatically.
2. After three minutes, the machine will automatically go to the ice making stage, and the sound of flowing water will be heard.
3. When the batch of ice has been fully formed, ice will automatically be harvested to the ice storage bin.
4. When the ice storage bin is full, the sheet of cubes will not fall completely and will hold the ice slide down. The machine stops making ice and automatically.
5. The unit will start making ice again after the ice cubes are removed. At that time, the ice slide will swing back to operating position.



Important:

- Although the unit has been tested and cleaned at the factory, due to long-term transit and storage, the first batch of ice cubes must be discarded.
- Never turn the water supply tap off when the ice maker is working.
- Never touch the evaporator when the machine is running.
- Except to take ice from the unit, keep the door closed to reduce melting and ensure proper ice formation.

How the machine Makes Ice

Turn the ICE/OFF/WASH switch to the ICE position. The machine will automatically start the ice making stage. There are two distinct cycles: freeze and harvest. During the freeze cycle, water flows across the evaporator surface to form the icde. In the harvest cycle, the ice is released. A complete cycle can take 15 to 40 minutes, depending on temperature and operating conditions.

Freeze

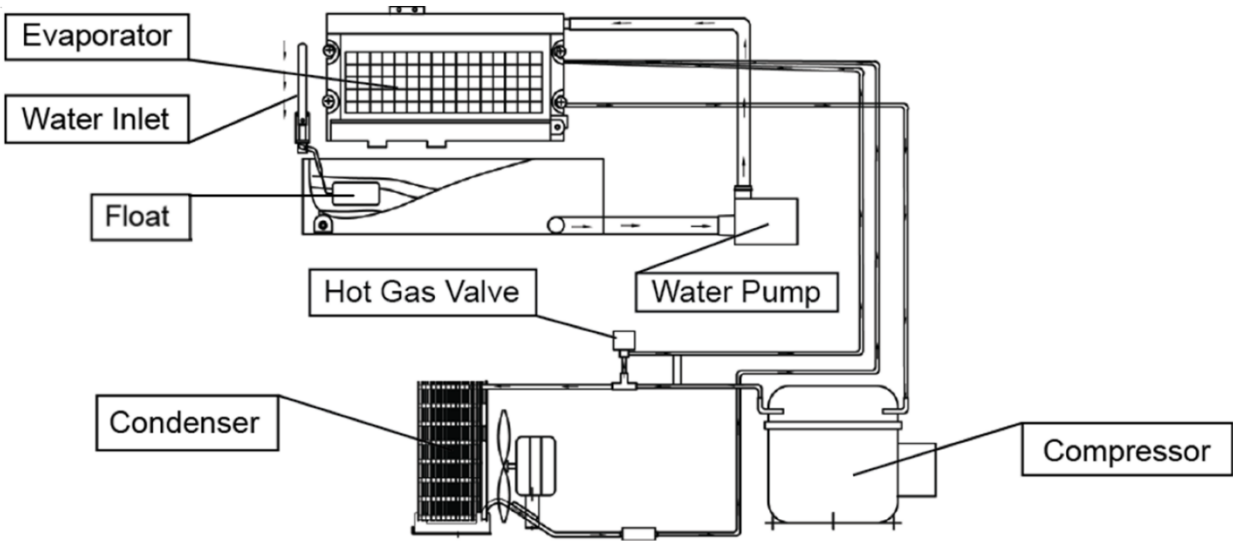
During the freeze cycle the compressor is pumping refrigerant, the fan motor is blowing air and the water pump is circulating water. When the batch of ice has been fully formed, the ice maker stops the freeze cycle and begins the harvest cycle.

Harvest

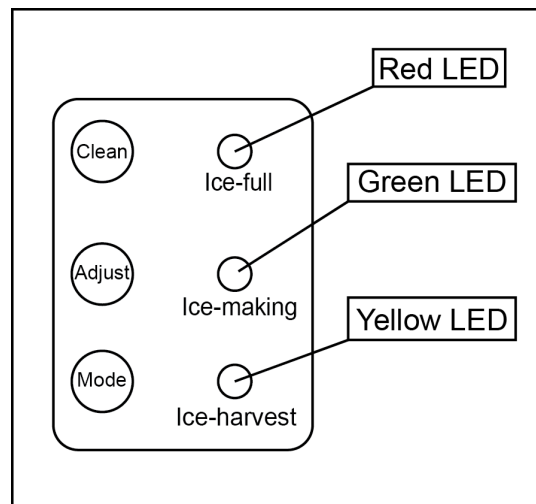
During the harvest cycle the compressor is still operating, but the water pump has stopped. The hot gas valve opens, diverting hot refrigerant gas into the evaporator. The gas warms the evaporator, causing the cubes to slide, as a unit, off the evaporator and into the storage bin. The freeze cycle will restart when all the cubes have been harvested.

How the Machine Uses the Water

The ice maker begins with a fixed charge of water that is contained in the water trough. During the ice-making process, fresh water enters the water trough continuously as the water from the trough freezes on the evaporator.



Control Panel (rear of unit)



- 1. Ice Full (Red) LED:** Ice Full indicator light.
When this LED is lit, the ice storage bin is full of ice or there is something obstructing the ice slide. The unit will stop producing ice. When ice cubes are removed from the ice storage bin, clearing the ice slide, **the red LED will keep flashing for 3 minutes**. Then the unit will restart and return to the ice making mode.
- 2. Ice Making (Green) LED:** Ice Making indicator light.
When this LED is lit or flashing, the unit is working in the ice making mode.
- 3. Ice Harvest (Yellow) LED:** Ice Harvest indicator light.
When this LED is lit, the unit is working in the Ice Harvest mode.

4. **Mode button:** Mainly for service.

When this button is pressed, the unit can change from Ice Making mode to Ice Harvest mode, or from Ice Harvest mode to Ice Making mode. The mode can be determined from the status of the green and yellow LEDs.

5. **Ice Size Adjust button:** When this is pressed and held for 3 seconds, the unit will enter the Ice Size Adjustment mode. Once in this mode, press 'Clean' to decrease the ice size, or press 'Mode' to increase the ice size. Please note that there are five larger ice sizes and five smaller ice sizes from the default setting. The current ice size can be determined from the status of the red, green, and yellow LEDs. The green, yellow, and red LEDs flashing synchronously indicates the default ice size. When decreasing the ice size with the 'Clean' button, the red LED will flash once and the green LED will flash continuously. The red and green LEDs flashing synchronously indicate that the smallest ice size has been reached. When increasing the ice size with the 'Mode' button, the yellow LED will flash once and the green LED will flash continuously. The yellow and green LEDs flashing synchronously indicate that the largest ice size has been reached.



Important:

- It is not recommended that the ice size be adjusted unnecessarily since this could damage the machine's controls.
- Do not let water contact the control panel.

Normal Sounds

Your new icemaker may make sounds that are not familiar to you. Most of the new sounds are normal. Hard surfaces like the floor and walls can make the sounds seem louder than they actually are. The following describes the kinds of sounds that might be new to you and what may be making them.

- Rattling noises may come from the flow of the refrigerant or the water line. Items stored on top of the icemaker can also make noises.
- The high efficiency compressor may make a pulsating or high-pitched sound.
- Water running from the evaporator to the water bin may make a splashing sound.
- As each cycle ends, you may hear a gurgling sound due to the refrigerant flowing in your icemaker.
- You may hear air being forced over the condenser by the condenser fan.
- During the harvest cycle, you may hear the sound of ice cubes falling into the ice storing bin.

Preparing the Icemaker for Long Storage



Important: Do not touch the power plug when your hands are wet. Never unplug the unit by pulling on the plug.

If the icemaker will not be used for a long time, or is to be moved to another place, it will be necessary to drain the system of water.

1. Shut off the water supply at the main water source.
2. Disconnect the water supply line from the water inlet.
3. Shut off the electric supply at the main electrical power source.
4. Take out the ice storage bin to remove ice and water. Dry it.
5. Pull off the water trough's drainage tube to drain off all water. Dry out the trough.
6. Leave the door open to allow for circulation and to prevent mold and mildew.
7. Leave the water supply line and power cord disconnected until ready to reuse.

Cleaning and Maintenance



Caution: The icemaker must be thoroughly cleaned if it has been left unused for a long time. Follow carefully any instructions provided for cleaning or use of sanitizing solution. Do not leave any solution inside the icemaker after cleaning.

Periodic cleaning and proper maintenance will ensure efficiency, top performance, and long life. The maintenance intervals listed are based on normal conditions. You may want to shorten the intervals if you have pets, or there are other special considerations.



Note: Never keep anything in the ice storage bin that is not ice: objects like wine or beer bottles are not only unsanitary, but the labels may slip off and plug up the drain.

What Should be Kept Clean?

There are 5 things to keep clean:

1. The exterior
2. The interior
3. The condenser
4. Water distribution tube
5. The ice-making system



Warning: Before proceeding with cleaning and maintenance operations, make sure the power line of the unit is disconnected and the water line is shut off. (EXCEPTION: Cleaning of the ice-making system)

Exterior Cleaning

The door and cabinet may be cleaned with a mild detergent and warm water solution such as 1 oz of dishwashing liquid mixed with 2 gallons of warm water. Do not use solvent based or abrasive cleaners. Use a soft sponge and rinse with clean water. Wipe with a soft clean towel to prevent water spotting. If the door panel is stainless finish, it can discolor when exposed to chlorine gas and moisture. Clean stainless finish with a cloth dampened with a mild detergent and warm water. Never use an abrasive cleaning agent.

Ice Bin and Water Trough Cleaning

The ice storage bin should be sanitized occasionally. Clean the water trough before the ice maker is used for the first time and reused after stopping for an extended period of time. It is usually convenient to sanitize the trough after the ice making system has been cleaned (see section Ice Making System Cleaning) and the ice storage bin is empty.

1. Disconnect power to the unit.
2. Open the door and take out the removable storage bin. With a clean cloth, wipe down the interior of the unit with a sanitizing solution made of 1 ounce of household bleach and 2 gallons of hot water (95° F to 115° F).
3. Rinse thoroughly with clean water.
4. Put the cleaned and empty ice storage bin back inside the unit.
5. Reconnect power to the unit.

The ice scoop should be washed regularly. Wash it just like any other utensil.

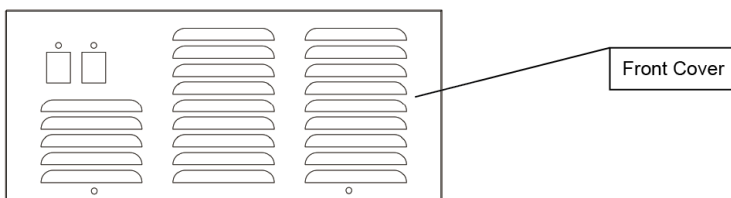


Warning: DO NOT use solvent-based cleaning agents or abrasives on the interior. These cleaners may transmit taste to the ice cubes, or damage or discolor the interior.

Condenser Cleaning

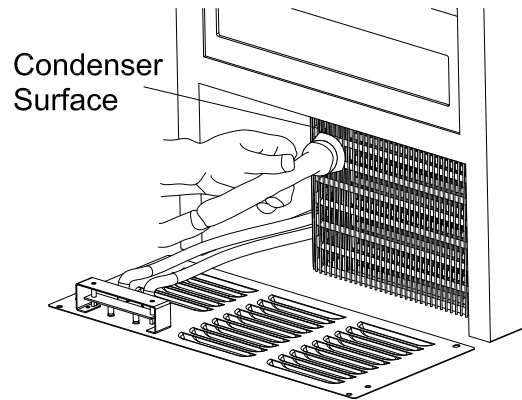
A dirty or clogged condenser prevents proper airflow, reduces ice making capacity, and causes higher than recommended operating temperatures that may lead to component failure. Have the condenser cleaned at least once every six months.

1. Unplug the ice maker or disconnect power.
2. Remove the 2 screws at the bottom of the front cover and gently pull it off.
Leave the wiring to the switch connected.



3. Locate the condenser directly behind the front cover.

4. Remove dirt and lint from condenser and the unit compartment with a brush attachment on a vacuum cleaner.



5. Reattach the front cover.
6. Plug in the icemaker or reconnect power.



Warning: DO NOT touch the condenser fins. They are sharp and can be damaged easily.

Water Distribution Tube Cleaning

When you find that the ice cubes are incompletely formed or the output of ice cubes is low, the water distribution tube may be blocked. Set the ICE/OFF/WASH switch to OFF, rotate the water distribution tube, and locate the holes in the distribution tube. Using a toothpick or similar tool, dredge the holes, then rotate the water distribution tube back to its original position. If the tube is badly blocked, clean it as follows:

1. Shut off the water supply.
2. Disconnect the water hose from the distribution tube by cutting the zip tie.
3. Remove the 2 Phillips screws from the splash guard and set the parts aside.
4. Lift the right side of the water distribution tube, then remove it.
5. Remove the inner tube from the outer tube.
6. With a brush, clean the tube with a dilute solution of warm water and a mild detergent such as dishwashing liquid. After removing the dirt and debris from the surface, rinse the tubes with clean water.
7. Replace the inner tube into the outer tube making sure it lines up correctly. The notch on the inner tube must lock into place. The inner tube should not rotate when inserted correctly. The water distribution tube will leak in not reassembled correctly.
8. Reconnect the water hose and replace the zip tie.
9. Replace the water distribution tube into the unit.
10. Replace the splash guard.
11. Turn on the water supply.



Caution:

- Many ice machine cleaners contain acids.
- DO NOT use or mix with any other solvent-based cleaner products.
- Use rubber gloves to protect your hands.
- Carefully read all safety instructions printed on the container of the ice machine cleaner.
- Discard the first batch of ice produced after cleaning

Ice-making System Cleaning

Minerals that are removed from water during the freezing cycle will eventually form a hard scaly deposit in the water system. Cleaning the system regularly helps remove the mineral scale buildup. How often you need to clean the system depends upon how hard your water is or how effective your filtration may be. With hard water of 15 to 20 grains/gal (4 to 5 grains/liter), you may need to clean the system as often as every 6 months.

1. Make sure that all the ice is off of the evaporator. If ice is being made, wait for cycle completion, then turn the machine "OFF" at the ICE/OFF/WASH selector switch.
2. Remove all ice from the storage bin.
3. Keep the ice maker connected to the water supply, Pour 200g of Nickel-Safe Ice Maker Cleaner Solution into the water trough. After about 5 minutes, initiate the wash cycle at the ICE/OFF/WASH selector switch by turning the switch to the "WASH" position. The machine will run the Automatic Clean Mode.
4. Allow 30 minutes for proper cleaning. After cleaning, turn the machine "OFF" at the ICE/OFF/WASH selector switch. Drain off the waste water to some container by drain pipe in the left of the water trough.
5. Repeat steps 3 and 4 (without Ice Maker Cleaning Solution) to rinse the ice making system 3 times. Note: The use of the Ice Maker Cleaner Solution in the water bin during the rinse is not needed.
6. Prepare a sanitizing solution made of a mild detergent and hot water (95° F to 115° F). Wipe the entire bin inside and out, covering every wall surface.
7. Fill a spray bottle with the sanitizing solution and spray all corners and edges making sure to cover all surfaces with the solution.
8. Allow the solution to be in contact for at least 3 minutes, then dry all surfaces.
9. Repeat step 5 to rinse the ice making system one more time.
10. Place the ICE/OFF/WASH selector switch to the "ICE" position. The machine will return to the regular ice making mode. Discard the first batch of ice.

Troubleshooting

Before Calling for Service

If the unit appears to be malfunctioning, read through the “Operation” section of this manual first. If the issue persists, check the troubleshooting section below. The issue could be solved by following the suggestions in the “Solution” column.

| Issue | Possible Cause | Solution |
|---|--|--|
| The machine won't operate. | The icemaker is unplugged. | Plug the ice maker in. |
| | The breaker is tripped. | Reset the breaker. |
| | The icemaker power switch is OFF. | Switch the ice maker power switch to ICE (ON). |
| | The ice storage bin is full of ice. | Take away some ice cubes and make sure the ice slide is free of ice. |
| The water doesn't feed in after the ice maker starts. | The water supply tap is turned off. | Turn on the water supply tap. |
| | The water supply pipe is not properly connected. | Reconnect the water supply pipe. |
| The machine makes ice, but the bin does not fill up with ice. | The condenser may be dirty. | Clean the condenser. |
| | The air flow to the ice maker may be obstructed. | Check the installation. See “Installation” section. |
| | The ambient temperature and water temperature are high, or the unit is close to a heat source. | Check the installation. See “Installation” section. |
| Water is leaking out of the unit. | A few water droplets are on the door. | Under some conditions, humidity may condense on the door. Consider moving the unit or just be more careful when you open the door. |
| | The water supply connection is leaking. | Tighten the fitting. See the “Connecting the Water Line” section. |
| | The unit is not level. | Level the feet. See the “Leveling the Ice Maker” section. |
| The cubes are partially formed or are white at the bottom. | There is not enough water in the water bin. | Check if the water supply pressure is below 15 PSI. |
| | | Check the water supply. The filter may be restricted. |
| | | Check for a water leak in the water trough. |
| There is noise during operation | The unit is not level. | Level the feet. See the “Leveling the Ice Maker” section. |
| | Certain sounds are normal. | See the “Normal Sounds” section. |

Troubleshooting Continued

| Issue | Possible Cause | Solution |
|---|--|---|
| The icemaker stops suddenly while making ice. | The electricity is off. | Reconnect the power supply line. |
| | The room temperature is out of the stated range. | Make sure unit is installed with correct clearances and within the stated ambient temperature range. See "Installation" section of this manual. |
| The body of the ice maker is electrified. | The ground line isn't in the socket. | Use the correct plug and outlet. |
| Scale builds up quickly inside the machine. | The calcium level in the water is too high. | Use a water-softening apparatus installed in front of the water inlet valve. |

Specifications



Note: Technical data and performance information are provided for reference only.

| | |
|--|--------------------------------|
| Description of product | Outdoor Ice Maker |
| Model | OIM450SS |
| Voltage / Frequency | AC 115V~60Hz |
| Ice-Making / Ice-Harvest rated current | 3.0A / 4.0A |
| Color | Stainless Steel |
| Ice Storage capacity | 25 lbs. maximum |
| Ice-making capability | 50 lbs. / day * |
| Refrigerant | R134a, 3.88 oz. |
| High / Low side pressure | 350 psig / 130 psig |
| Dimensions (Width x Depth x Height) | 14 9/16" X 23 3/8" X 32 11/16" |
| Net Weight | 81 lbs. |

Specifications are subject to change. Check the rating label on the ice maker for the most accurate information.

* The actual quantity of ice produced per day will vary with room and water conditions.



Notes on Ice Storage: The ice maker will automatically shut off when the ice bin is full. The ice bin compartment is insulated, but not refrigerated and the ice in the bin will slowly melt and run out the drain. Once enough of the ice has melted, the ice maker will automatically start making more ice.

EdgeStar Limited Warranty

Full One-year Parts and Labor

This product is warranted by EdgeStar and is subject to any conditions set forth as follows:

WHAT IS COVERED:

For a period of ONE (1) YEAR from the date of original retail purchase, EdgeStar will repair or replace any part free of charge including labor that fails due to a defect in materials or workmanship. Labor will be performed free of charge at an authorized EdgeStar repair facility and EdgeStar will supply new, rebuilt, or refurbished parts free of charge. EdgeStar may request a defective part be returned in exchange for the replacement part. All replacement parts or products will be new, remanufactured, or refurbished. All products and parts replaced by EdgeStar under warranty service become the property of EdgeStar. After the 12 month period, EdgeStar will no longer be responsible for labor charges incurred or replacement parts. All defective products and parts covered by this warranty will be repaired or replaced on a mail-in basis to an EdgeStar authorized repair facility.

This warranty applies to the original purchaser only, and only covers defects in workmanship experienced during operation of the product under normal service, maintenance, and usage conditions. This warranty applies to the purchase and use of this product in residential settings within the contiguous United States of America.

Exceptions: Commercial or Rental Use Warranty

90 days labor and parts from date of original purchase. No other warranty applies.

WHAT IS NOT COVERED- The following limitations apply to the coverage of this warranty. This warranty does not cover:

- Labor charges for installation, setup, or training to use the product.
- Shipping damage, and any damage caused by improper packaging for shipment to an authorized service center, and any damaged caused by improper voltage or any other misuse, including abnormal service, handling, or usage.
- Cosmetic damage such as scratches and dents.
- Normal wear and tear on parts or replacement of parts designed to be replaced, e.g. filters, cartridges, batteries.
- Service trips to deliver, pick-up, or repair, install the product, or to instruct in proper usage of the product.
- Damages or operating problems resulting from misuse, abuse, operation outside environmental specifications, uses contrary to instructions provided in the owner's manual, accidents, acts of God, vermin, fire, flood, improper installation, unauthorized service, maintenance negligence, unauthorized installation or modification, or commercial use.
- Labor, service transportation, and shipping charges for the removal and replacement of defective parts, beyond the initial 12 month period.
- Products that have been modified to perform outside of specifications without the prior written permission of EdgeStar.
- Products lost in shipment, or theft.
- Products sold AS IS or from an unauthorized reseller.
- Products that have had their serial numbers removed, defaced, or with serial numbers that have been invalidated.
- Damage from other than normal household use.
- Replacement or repair of household fuses, circuit breakers, wiring or plumbing.
- Damage to personal property from use of product.
- Damage from service other than from an authorized EdgeStar repair facility.
- Hoses, knobs, lint trays and all attachments, accessories and disposable parts.
- Any service charges not specifically identified as normal such as normal service area or hours.
- Any special or consequential damages arising out of the use of the product.

OBTAINING WARRANTY SERVICE: If you believe your product is defective, contact EdgeStar Customer Support for troubleshooting assistance and warranty service at www.edgestar.com or call 1-866-319-5473. Before contacting Customer Support you are required to have your model number, serial number, and proof of purchase available upon request. Once an EdgeStar authorized representative has confirmed that your product is defective and eligible for warranty service, the product must be returned to an EdgeStar authorized repair facility. EdgeStar is not responsible for damage resulting from shipper mishandling or improper packaging. Do not return a defective product to the place of purchase. Products received without a return authorization number will be refused.

THIS WARRANTY IS IN LIEU OF ANY OTHER WARRANTY, EXPRESS OR IMPLIED, INCLUDING WITHOUT LIMITATION, ANY WARRANTY OF MERCHANTABILITY OR FITNESS FOR A PARTICULAR PURPOSE. TO THE EXTENT ANY IMPLIED WARRANTY IS REQUIRED BY LAW, IT IS LIMITED IN DURATION TO THE EXPRESS WARRANTY PERIOD ABOVE. NEITHER THE MANUFACTURER NOR ITS DISTRIBUTORS SHALL BE LIABLE FOR ANY INCIDENTAL, CONSEQUENTIAL, INDIRECT, SPECIAL, OR PUNITIVE DAMAGES OF ANY NATURE, INCLUDING WITHOUT LIMITATION, LOST REVENUES OR PROFITS, OR ANY OTHER DAMAGE WHETHER BASED IN CONTRACT, TORT, OR OTHERWISE. IN NO EVENT AND UNDER NO CIRCUMSTANCE OF ANY TYPE OR KIND SHALL THE SELLER, MANUFACTURER AND/OR DISTRIBUTOR BE LIABLE FOR ANY REASON, UNDER ANY THEORY, FOR MORE THAN THE BASIC COST OF THE PRODUCT TO THE PURCHASER OR END USER. SOME STATES DO NOT ALLOW THE EXCLUSION OF INCIDENTAL OR CONSEQUENTIAL DAMAGES, SO THE ABOVE EXCLUSION MAY NOT APPLY TO YOU. THIS WARRANTY GIVES YOU SPECIFIC LEGAL RIGHTS. YOU MAY HAVE OTHER RIGHTS THAT VARY FROM STATE TO STATE.