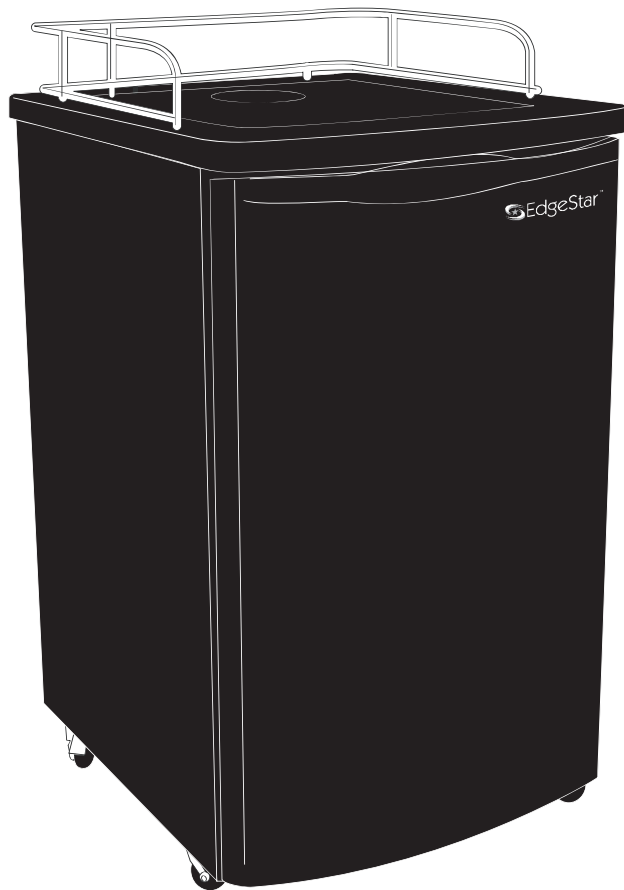


EDGESTAR[®]

Freestanding Kegeerator



BR2001BL

BR2001SS

Owner's Manual

Important Safety Information

Improper handling can cause serious damage to the EdgeStar kegerator and / or injury to the user. This kegerator is designed for domestic indoor use only. **Do not use the unit for industrial or commercial use.** Any other use may invalidate the warranty. Please review the ratings label located on the rear panel of the unit for electrical and other technical data related to this unit. The unit must be used in a properly grounded wall outlet.

Please read and follow the safety information listed below to reduce the risk of fire, electric shock, or injury.



Electrical Safety

- Do not exceed the power outlet ratings.
- It is recommended the kegerator be connected on its own circuit.
- The unit must be installed in accordance with state and local electrical codes.
- A standard electrical supply (115 V, 60Hz), that is properly grounded in accordance with the National Electrical Code and local codes and ordinances is required.
- Use outlets that cannot be turned off by a switch or pull chain.
- Always turn the unit off and unplug it from the outlet when cleaning.
- Unplug the unit if it is not going to be used for an extended period of time.
- Do not operate the unit with a power plug missing the ground plug, a damaged cord, or a loose socket.
- Be sure the kegerator is properly grounded.
- Never plug or unplug the unit with wet hands.
- Do not bypass, cut, or remove the grounding plug.
- Do not use extension cords or power strips with this unit. You may need to contact your electrician if it is necessary to use a longer cord or if you do not have a grounded outlet. Do not modify the power cord's length or share the outlet with other appliances.
- Do not start or stop the unit by switching the circuit's power on and off.
- If the power cord is damaged, it must be replaced by the manufacturer or a qualified technician.
- Never repair the unit while it is plugged in.
- Immediately unplug the unit if it makes strange sounds, emits smells, or smoke comes out of it, and contact customer service.
- Do not remove any part of the casing unless you are instructed to do so by an authorized technician.
- You should never attempt to repair the unit yourself.
- Contact customer service for service options if the unit needs service.

Important Safety Information



General Safety

- To prevent injuries, use at least two people to move and install the kegerator.
- This appliance is not intended for use by persons, including children, with reduced physical, sensory or mental capabilities, unless they have been given supervision or instruction concerning the use of the appliance by the person(s) responsible for their safety.
- Install the kegerator in a well-ventilated area where the ambient temperature is above 50° F and below 90° F.
- Do not place hot or warm items into the kegerator before they cool down to room temperature.
- This unit is designed to be installed indoors, and protected from rain, sleet, snow, and / or moisture.
- This unit is not intended to be used by children.
- Children should be supervised to ensure that they do not play with this product.
- Never allow children to crawl inside the kegerator. If you are disposing of the unit, remove the door.
- Do not use this appliance near flammable gas or combustibles such as gasoline, benzene, or thinner.
- Do not store explosive substances such as aerosol cans with a flammable propellant in this appliance.
- Do not place the unit near heat sources such as ovens, grills, or direct sunlight.
- Only use in an upright position on a flat, level surface and provide proper ventilation.
- Do not pinch or kink the power supply line between the unit and cabinet.
- Do not leave any cleaning solutions in the unit.
- Do not use solvent-based cleaning agents or abrasive solutions to clean the unit as they may damage the interior and exterior.
- Do not place any other appliances on top of the unit.
- Do not turn the unit upside down, on its side, or at an angle off level.
- If your model of kegerator is equipped with a lock, keep the keys away from children.
- Do not move the unit without emptying the contents and securing the door in a closed position.
- This appliance is not intended for use by persons (including children) with reduced physical, sensory, or mental capabilities unless they are given supervision or instruction by a person responsible for their safety.
- This appliance is meant for use in the household or similar settings.
- Keep all ventilation openings clear of obstruction.
- Do not use mechanical devices or other means to accelerate the t process.
- Do not damage the refrigerant circuit.
- Do not use other appliances inside the kegerator unless recommended by the manufacturer.
- If the supply cord is damaged, it must be replaced by the manufacturer, its service agent, or a similarly qualified individual.



DANGER: Risk of child entrapment. Before you throw away your old refrigerator or freezer, take off the doors and leave the shelves in place so that children may not easily climb inside.

Table of Contents

| | |
|--|----|
| Important Safety Information | 2 |
| First-Time Operating Instructions | 5 |
| Introduction..... | 5 |
| Parts Identification | 6 |
| Accessories | 7 |
| Installation | 8 |
| Unpacking the Kegerator..... | 8 |
| Clearance Requirements..... | 8 |
| Electrical Requirements | 9 |
| Recommended Grounding Method | 9 |
| Leveling the Kegerator | 9 |
| Installing the Guardrail | 10 |
| Installing the CO2 Cylinder Holder..... | 10 |
| Installing the Casters..... | 10 |
| Reversing the Door Swing..... | 10 |
| Operation..... | 12 |
| Installation Checklist before Operation..... | 12 |
| Temperature Control..... | 12 |
| Normal Sounds..... | 13 |
| Defrosting | 13 |
| Energy Saving Guide | 13 |
| Preparing the Kegerator for Storage | 14 |
| Cleaning and Maintenance..... | 14 |
| Troubleshooting..... | 15 |
| Specifications | 17 |
| EdgeStar Limited Warranty | 18 |

First-Time Operating Instructions

Before use, make sure all packaging labels and materials are removed from the unit. Be sure to keep track of all included parts and pieces before discarding the packaging materials. It is advised that you keep the original box and packaging materials in case you ever need to move or ship the appliance in the future.

Let the unit stand for at least 24 hours before you use it; this allows the cooling components time to settle from transit. The instruction manual should be read before use.

Introduction

Thank you for purchasing this EdgeStar kegerator. We hope that this purchase will be the beginning of a lasting and rewarding relationship between you and EdgeStar. We will provide the customer support and exemplary products necessary to nurture that relationship.

This manual contains important information regarding the proper installation, use, and maintenance of your kegerator. Following this manual will ensure that your product will work at its peak performance and efficiency.

Please save the original product packaging in case you need to safely transport your kegerator.

For Your Records:

Please write down the model number and serial number below for future reference. Both numbers are located on the ratings label on the back of your unit and are needed to obtain warranty service. You may also want to staple your receipt to this manual as it is the proof of your purchase, and is also needed for service under your warranty.

Model Number: _____

Serial Number: _____

Date of Purchase: _____

For a more efficient experience, please do the following before contacting customer service:

If you received a damaged product, immediately contact the retailer or dealer who sold the product.

Read and follow this instruction manual carefully to help you install, use, and maintain your kegerator.

Read the troubleshooting section of this manual. It will help you diagnose and solve common issues.

Visit us on the web at www.edgestar.com to register your product, download product guides, and access additional troubleshooting resources and up-to-date information.

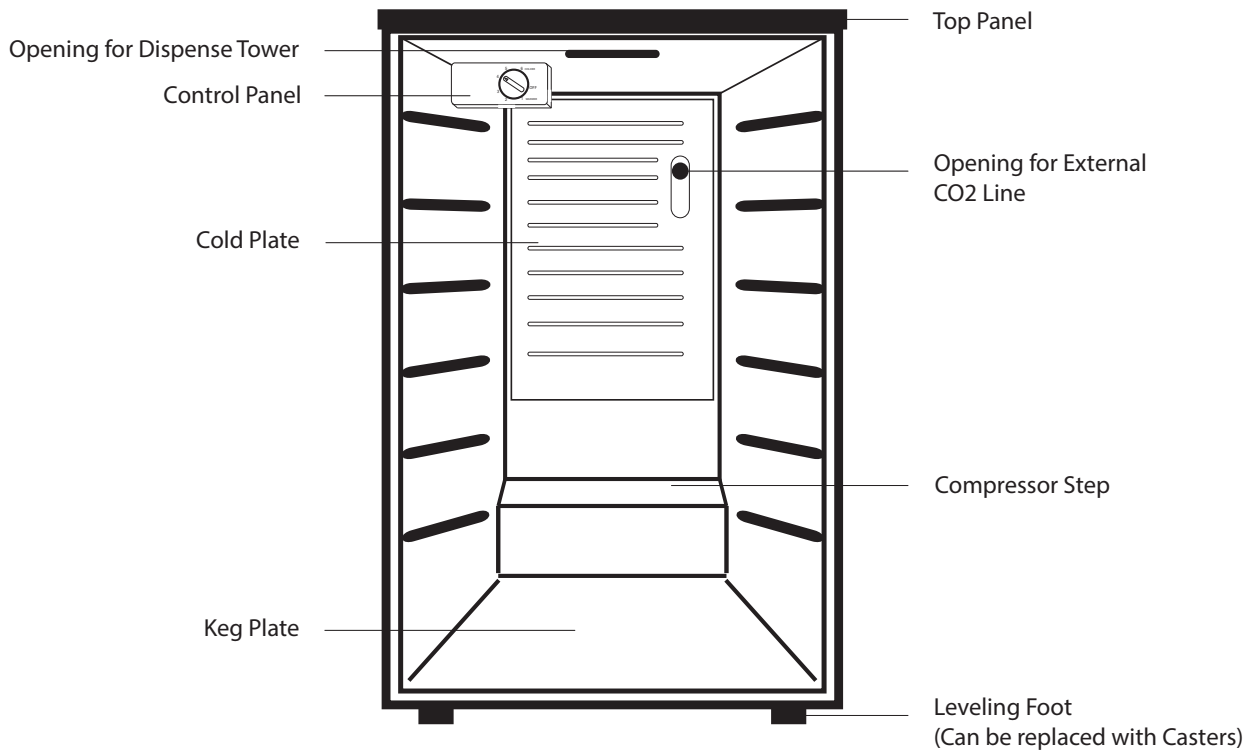
For warranty service, customer service representatives are available at service@edgestar.com.

Parts Identification

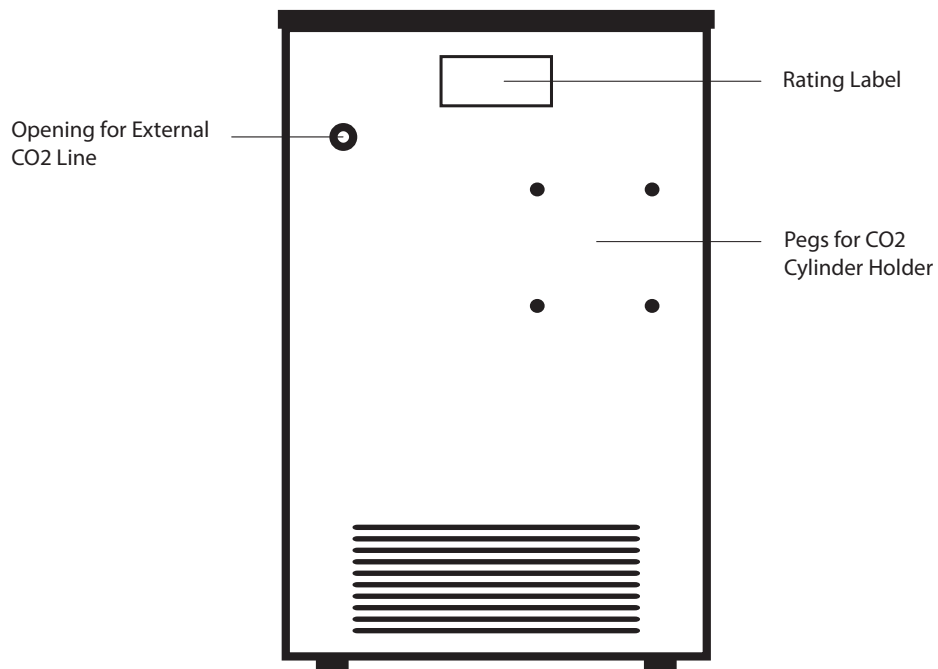


Note: Gather the model and serial number from the product label and write them down before installing the kegerator.

Front View:



Rear View:

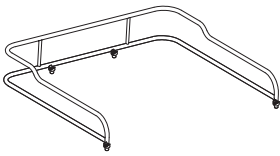


Accessories

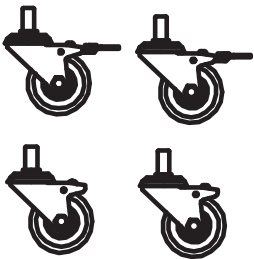
Your kegerator will come with a set of standard accessories. These include a drip tray, guard rail, casters, and CO2 tank holder. The other accessories you receive for the dispense kit and CO2 tank will be based upon the type of kegerator you purchase. The most common options include single, dual, and triple taps.



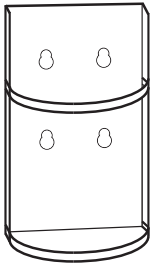
Drip Tray (1)



Guard Rail (1)



Casters (4)



CO2 Tank Holder (1)



Note: The CO2 tank can be installed internally or externally. Installing CO2 tank externally provides more room for kegs inside the cabinet.

Installation

The kegerator should be installed in accordance with local electrical code requirements. The kegerator should also be placed in a location that is strong enough to support its total weight, keeping in mind that it will weigh substantially more when fully loaded than when empty. **Before you plug the kegerator into a power supply, be sure to let it stand upright for at least 24 hours to allow the compressor's oils to settle.**

Unpacking the Kegerator



Warning: Use two or more people to move and install the kegerator. Failure to do so can result in back or other injury. Carefully remove the packaging materials. Remove any shipping tape and glue from your kegerator before use. Do not use sharp instruments, rubbing alcohol, flammable fluids, or abrasive cleaners to remove tape or glue. These products can damage the surface of your kegerator.



Warning: Do not remove any safety, warning, or product information labels from your kegerator.

This kegerator has been designed for freestanding installation. This will allow you to install the kegerator in almost any place you desire. You must follow the stated instructions for electrical requirements and leveling the kegerator.

Clearance Requirements

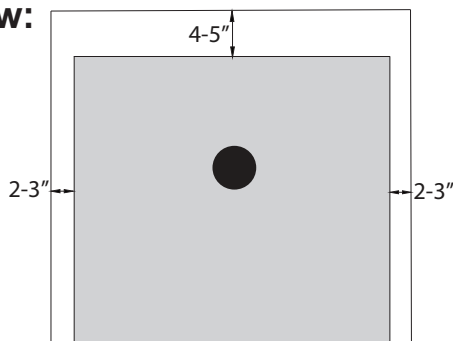


Notes:

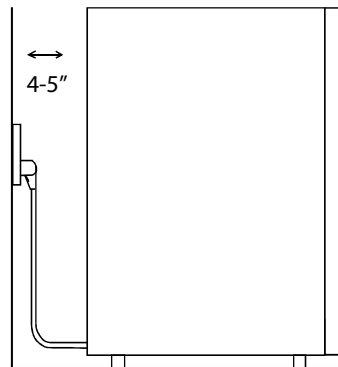
- This unit **MUST** be installed in an area protected from the elements, e.g. wind, rain, water spray, or drips.
- The kegerator should not be located in direct sunlight, next to ovens, grills, or other heat sources.
- Do not kink or pinch the power supply cord between the kegerator and the wall or cabinet.

To ensure the kegerator will last, install it in a location where there is proper air circulation and electrical connections. This kegerator is designed for indoor use only and should not be used outdoors. It should not be placed in a built-in or recessed area as it is designed to be a freestanding kegerator. The Kegerator should allow a minimum of 2" on the sides and 4" in the back.

Top View:



Side View:



Electrical Requirements

ELECTRIC SHOCK HAZARD!



- Plug into a grounded 3-prong outlet.
- Never remove the grounding prong from the plug.
- Never use an adapter to bypass the grounding prong.
- DO NOT use an extension cord.
- Failure to follow these instructions can result in fire, electrical shock, or death.

Before you move your kegerator to its final location, it is important to make sure you have the proper electrical connection:

A standard electrical supply (115 V, 60Hz), properly grounded in accordance with the National Electrical Code and local codes and ordinances is required.

It is recommended that a separate circuit, serving only your kegerator, be provided. Use receptacles that cannot be turned off by a switch or pull chain.

The fuse (or circuit breaker) size should be 15 Amps.

Recommended Grounding Method

For your personal safety, this appliance must be grounded. It is equipped with a power supply cord that has a 3-pronged grounding plug. To minimize possible shock hazard, the cord must be plugged into a mating 3-pronged wall socket and grounded in accordance with the National Electrical Code and local codes and ordinances. If a mating wall socket is not available, it is the personal responsibility of the customer to have a properly grounded, 3-prong wall receptacle installed by a qualified electrician.

Leveling the Kegerator

It is important for the kegerator to be leveled for optimum efficiency. It can be raised or lowered by rotating the plastic sheaths around each of the feet on the bottom of the machine. If you find that the surface is not level, rotate the feet until the kegerator becomes level. You may need to make several adjustments to level it.

1. If available, place a carpenter's level on top of the product to see if the kegerator is level from front to back and side to side.

2. To adjust the height of the kegerator, simply turn the feet (Right = Lower / Left = Raise).



Note: The kegerator should be leveled before installation.

Installing the Guardrail

Snap the guardrail into the top of the cabinet's guardrail pilot holes.

Installing the CO2 Cylinder Holder

Slide the CO2 cylinder holder onto the four pegs located on the back of the cabinet. This holder is optional and only needed if you plan to have the CO2 cylinder installed externally.

Installing the Casters

This unit comes with four casters. These are an optional accessory to assemble if you would like to make the unit more mobile. To install the casters:

1. Remove the four leveling legs from the bottom of the unit.
2. Remove the contents of the cabinet and set the beer dispenser on its side.
3. Screw in each caster to attach it to the cabinet.
4. With all four casters tightened evenly, stand the unit in an upright position.



Note: A detailed installation guide of all the dispense kit components may be included with your kegerator depending on the type purchased.



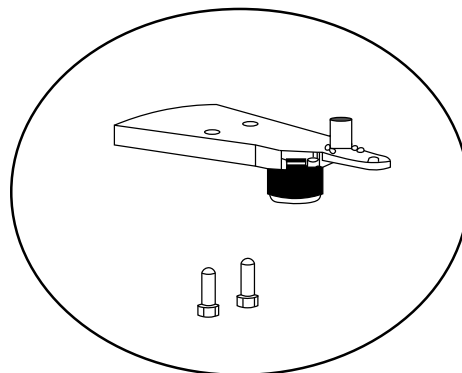
Warnings:

- Use two (2) or more people to install the casters if possible. Make sure all the accessories are removed from the back and lay the unit down gently on its back.
- Allow the refrigerator to stand in an upright position for 24 hours before turning on the power. This will ensure that the coolant has settled.

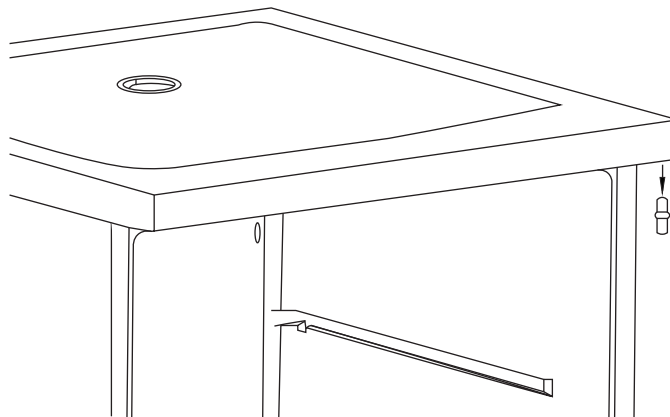
Reversing the Door Swing

The kegerator can be installed with either right or left door swing. Follow the instructions bellow to reverse the door:

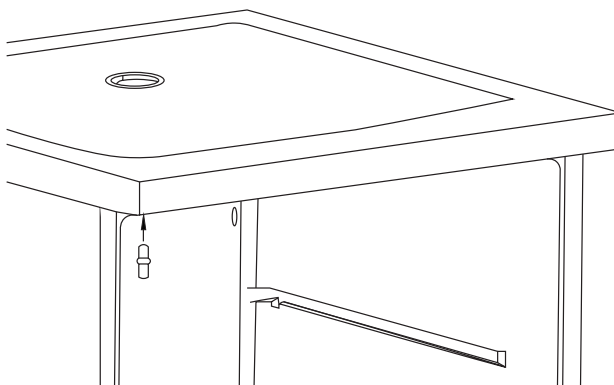
1. Start by removing any contents from the cabinet, unplugging the Kegerator, and laying the Kegerator on its back.
2. Remove the lower hinge from the unit by removing the 2 screws located on the bottom of the lower hinge assembly.



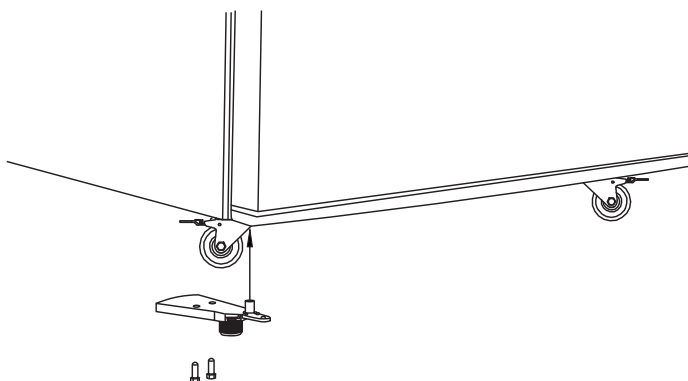
3. Slide the door down and out of the upper hinge pin and gently set the door aside.
4. Unscrew the hinge pin from the upper hinge assembly.



5. Screw the hinge pin into the upper hinge assembly on the opposite side.



6. Slide the door into the upper hinge pin.
7. Secure the lower hinge to the bottom of the Kegerator with the 2 screws. The pin on the lower hinge will go into the door.



8. Upright the Kegerator and let it sit for one (1) hour per 15 minutes spent on its back before plugging it in.

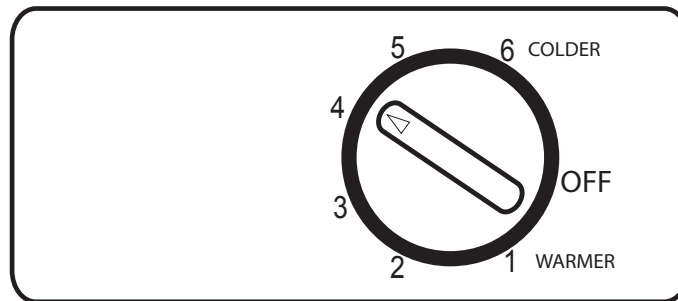
Operation

Installation Checklist before Operation

1. Have all packing materials and tape been removed from the interior and exterior of the kegerator?
2. Have the installation instructions been followed, including connecting the machine to electricity?
3. Has the machine been leveled?
4. Is the kegerator in a site where the ambient temperature is between 50°F and 90°F all year round?
5. Is there a minimum of 4" behind and 2" on the sides of the kegerator?
6. Has the kegerator been thoroughly cleaned prior to use?

Temperature Control

This kegerator has one control knob located on the left of the inside of the cabinet. Turning the knob to the right or left will make the unit colder or warmer respectively, 1 being the warmest and 6 the coldest. The kegerator should only be set to the coldest setting (6) for short periods of time while dispensing. If the kegerator is set to the coldest setting for an extended period of time, your keg will freeze. For keg storage, **we recommend setting the knob between 4 and 5.**



Note: Whether your kegerator can reach cooler temperature depends on the ambient environmental conditions.



Note: If you power off the unit, please wait at least 5 minutes before powering it back on.

Normal Sounds

Your kegerator may make noise during operation. Most of these sounds are normal. Hard surfaces like the floor and walls can make sounds seem louder than they actually are.

The following describes several sounds you may hear and what may be making them:

- Rattling noises may come from the flow of the refrigerant or the water line. Items stored on top of the kegerator can also make noises.
- The high efficiency compressor may make a pulsating or high-pitched sound.
- Water running from the evaporator to the water bin may make a splashing sound.
- As each cycle ends, you may hear a gurgling sound due to the refrigerant flowing in your kegerator.
- You may hear air being forced over the condenser by the condenser fan.

Defrosting

Excess frost may build up inside the unit during normal operation. To defrost the unit, first remove the power plug from the wall socket, open the door, and move all of the appliance's contents to a cool place. Defrost the unit using the included plastic scraper, or let the temperature rise naturally until the frost melts. Then wipe away the remaining ice and water. When you are finished defrosting the unit, plug the kegerator back into the power supply.



Warning: Do not use metal or other sharp tools to remove frost.

Energy Saving Guide

- Do not open the door too often, especially when the weather is humid and hot. Once you open the door, close it as soon as possible.
- Occasionally check that the kegerator is sufficiently ventilated. Make sure there is adequate air circulation behind the kegerator.
- In normal temperature conditions, leave the thermostat at the middle setting.
- Before loading the kegerator with food, make sure the food is cooled to the ambient room temperature.
- The ice and frost layer increases energy consumption. Be sure to defrost and clean the kegerator once this layer reaches a thickness of 1/8".

Preparing the Kegerator for Storage

If the kegerator will not be used for a long time or is to be moved to another place, it will be necessary to defrost the unit and dry the interior.

1. Disconnect the kegerator from the power supply by removing the power plug from the wall socket.
2. Clean the inside of the unit with a mild detergent or hand soap solution. Dry thoroughly.
3. Leave the door open to allow for air circulation and to prevent mold, mildew, and unpleasant smells.



Caution: Store the unit out of reach from children. If you have children, you may want to take precautions such as removing the door to prevent a child from being trapped inside.

Cleaning and Maintenance

A regular cleaning once every 2 weeks of the faucet, beer hose, and keg coupler is extremely important when the Draft Beer Dispenser is used frequently. If this is not performed, the beer will foam. Additionally bacteria, yeast, mold, and beer stone will build up and quickly degrade the quality of draft beer. A few minutes spent cleaning on a regular basis will add life to your system, and improve the quality of your draft beer.

Exterior Cleaning

The exterior may be cleaned with a mild detergent or hand soap mixed with warm water. Do not use solvent based or abrasive cleaners. Use a soft sponge and rinse with clean water. Wipe with a soft clean towel to prevent water spotting. If the door panel is stainless steel, it can discolor when exposed to chlorine gas and moisture. Clean stainless steel using a cloth dampened with a mild detergent such as lemon juice or vinegar and warm water solution.



Warning: Never use an abrasive or caustic cleaning agent.

Interior Cleaning

The kegerator's interior should be cleaned occasionally.

1. Disconnect power to the unit.
2. Open the door and remove the contents.
3. Wait until the unit defrosts.
4. With a clean cloth, wipe down the interior of the unit.
5. Reinsert items.
6. Reconnect power to the unit.



Note: Cleaning accessories and equipment can be purchased at Kegerator.com

Troubleshooting

Before Calling for Help:

If the unit appears to be malfunctioning, read through the “Operation” section of this manual first. If the problem persists, check the Troubleshooting Guide below and on the following page. The problem may be something that can easily be solved or explained.

| Problem | Possible Cause | Solution |
|--|--|--|
| The unit turns on and off frequently. | The room temperature is higher than the recommended ambient environment. | Run the kegerator at the appropriate ambient temperature. |
| | The door is being opened often. | Minimize the number of times the door is opened. |
| | The door is not completely closed. | Make sure the door is completely closed. |
| | The door gasket is not sealing properly. | Make sure the door gasket is properly sealing. |
| | The kegerator is not sufficiently ventilated. | This unit requires adequate air circulation behind the appliance. |
| The unit does not turn on. | There is a power failure. | Ensure the kegerator is plugged in and the power outlet has power. |
| | The kegerator is not plugged in. | Plug the unit in to a power outlet that has sufficient amperage. |
| | A house fuse has blown or the circuit breaker is tripped. | Replace the broken fuse in your fuse box or reset the breaker. |
| The kegerator will not reach the desired temperature | The kegerator is placed too close to a heat source. | Keep the kegerator away from direct sun light or other heat sources. |
| | The kegerator is not sufficiently ventilated. | This unit requires adequate air circulation behind the appliance. |
| | The door is opened too frequently or for a long period of time. | Close the door tightly and do not open the door too frequently or for a long period of time. |

| Problem | Possible Cause | Solution |
|---|---|---|
| The unit is making strange noises | Certain sounds are normal. | Read the “Normal Sounds” section. |
| | The unit is not level or is touching another appliance. | Check to make sure that the kegerator is level, and that it is not in contact with another appliance or furniture. |
| The body of the kegerator is electrified. | The unit is not grounded properly. | Contact your local electrician to test your electrical grounding system. |
| Frost is forming in the kegerator. | The environment is humid. | Though the unit uses an “auto-defrost” system, under certain conditions, manual defrosting may be required. If frost builds up, you can try running the kegerator on a warmer temperature setting, minimizing the number of times you open the door, or unplugging the unit to allow the frost to melt. |
| | The ambient temperature is too low. | |
| | The door is being opened too frequently. | |
| The door will not shut properly. | Your kegerator is not level. | Make sure the kegerator is on a level surface. |
| | The door gasket is dirty. | Clean the door gasket. |
| | The door gasket is not installed correctly. | Make sure the door gasket is properly installed. |
| | The shelves are incorrectly installed. | Correctly install the shelves. |

Specifications



Note: Technical data and performance information are provided for reference only. Specifications are subject to change. Check the rating label on the kegerator for the most accurate information.

| | |
|---|--|
| Product Type | Freestanding Kegerator |
| Model | BR2001BL, BR2001SS |
| Voltage / Frequency | AC 115V~60Hz |
| Amperage | 1.1A |
| Color | Black Cabinet; Black or Stainless Steel Door |
| Storage Capacity Options | <ul style="list-style-type: none"> • 1 Half Barrel Keg • 1 Quarter Barrel Keg • 1 Slim Quarter Keg • 1-2 Sixth Barrel Keg(s) • 1-2 Cornelius Keg(s) |
| Refrigerant | R600a (0.71 oz) |
| Dimensions (Height x Width x Depth) | 33 1/2" x 20 1/16" x 24 13/16" |

EdgeStar Limited Warranty

One Year Parts & 90 Days Labor

This product is warranted by EdgeStar and is subject to any conditions set forth as follows:

WHAT IS COVERED:

LABOR: For a period of NINETY (90) DAYS from the date of original purchase, labor will be performed free of charge at an authorized EdgeStar repair facility. At its option, EdgeStar will repair the product with new or remanufactured parts, or exchange the defective product with a new, refurbished, or remanufactured product. If a product is replaced, it will carry the remaining warranty of the original product. After the ninety (90) day period, EdgeStar will no longer be responsible for labor charges incurred. All defective products and parts covered by this warranty will be repaired or replaced on a mail-in basis to an EdgeStar authorized repair facility.

PARTS: For a period of ONE (1) YEAR from the date of original purchase, EdgeStar will supply new, rebuilt, or refurbished parts free of charge. EdgeStar may request a defective part be returned in exchange for the replacement part. All replacement parts or products will be new, remanufactured, or refurbished. All products and parts replaced by EdgeStar under warranty service become the property of EdgeStar.

This warranty applies to the original purchaser only, and only covers defects in workmanship experienced during operation of the product under normal service, maintenance, and usage conditions. This warranty applies to the purchase and use of this product in residential settings within the United States of America.

WHAT IS NOT COVERED- The following limitations apply to the coverage of this warranty. This warranty does not cover:

The following limitations apply to the coverage of this warranty. This warranty does not cover:

- Labor charges for installation, setup or training to use the product.
- Shipping damage, and any damage caused by improper packaging for shipment to an authorized service center, and any damaged caused by improper voltage or any other misuse, including abnormal service, handling, or usage.
- Cosmetic damage such as scratches and dents.
- Normal wear and tear on parts or replacement of parts designed to be replaced, e.g. filters, cartridges, batteries.
- Service trips to deliver, pick-up, or repair, install the product, or to instruct in proper usage of the product.
- Damages or operating problems resulting from misuse, abuse, operation outside environmental specifications, uses contrary to instructions provided in the owner's manual, accidents, acts of God, vermin, fire, flood, improper installation, unauthorized service, maintenance negligence, unauthorized installation or modification, or commercial use.
- Labor charges incurred 91 days or more after the date of original purchase.
- The use of EdgeStar products in commercial settings.
- Optional accessories, attachments, and appearance items.
- Products that have been modified to perform outside of specifications without the prior written permission of EdgeStar.
- Products lost in shipment, or theft.
- Products sold AS IS or from an unauthorized reseller.
- Products that have had their serial numbers removed or defaced. Products with serial numbers that have been invalidated.

OBTAINING WARRANTY SERVICE: If you believe your product is defective, contact EdgeStar Customer Support for troubleshooting assistance and warranty service at www.edgestar.com or call 1-866-319-5473. Before contacting Customer Support you are required to have your model number, serial number, and proof of purchase available upon request. Once an EdgeStar authorized representative has confirmed that your product is defective and eligible for warranty service, the product must be returned to an EdgeStar authorized repair facility. EdgeStar is not responsible for damage resulting from shipper mishandling or improper packaging. Do not return a defective product to the place of purchase. Products received without a return authorization number will be refused.

THIS WARRANTY IS IN LIEU OF ANY OTHER WARRANTY, EXPRESS OR IMPLIED, INCLUDING WITHOUT LIMITATION, ANY WARRANTY OF MERCHANTABILITY OR FITNESS FOR A PARTICULAR PURPOSE. TO THE EXTENT ANY IMPLIED WARRANTY IS REQUIRED BY LAW, IT IS LIMITED IN DURATION TO THE EXPRESS WARRANTY PERIOD ABOVE. NEITHER THE MANUFACTURER NOR ITS DISTRIBUTORS SHALL BE LIABLE FOR ANY INCIDENTAL, CONSEQUENTIAL, INDIRECT, SPECIAL, OR PUNITIVE DAMAGES OF ANY NATURE, INCLUDING WITHOUT LIMITATION, LOST REVENUES OR PROFITS, OR ANY OTHER DAMAGE WHETHER BASED IN CONTRACT, TORT, OR OTHERWISE. IN NO EVENT AND UNDER NO CIRCUMSTANCE OF ANY TYPE OR KIND SHALL THE SELLER, MANUFACTURER AND/OR DISTRIBUTOR BE LIABLE FOR ANY REASON, UNDER ANY THEORY, FOR MORE THAN THE BASIC COST OF THE PRODUCT TO THE PURCHASER OR END USER. SOME STATES DO NOT ALLOW THE EXCLUSION OF INCIDENTAL OR CONSEQUENTIAL DAMAGES, SO THE ABOVE EXCLUSION MAY NOT APPLY TO YOU. THIS WARRANTY GIVES YOU SPECIFIC LEGAL RIGHTS. YOU MAY HAVE OTHER RIGHTS THAT VARY FROM STATE TO STATE.

EDGE STAR[®]