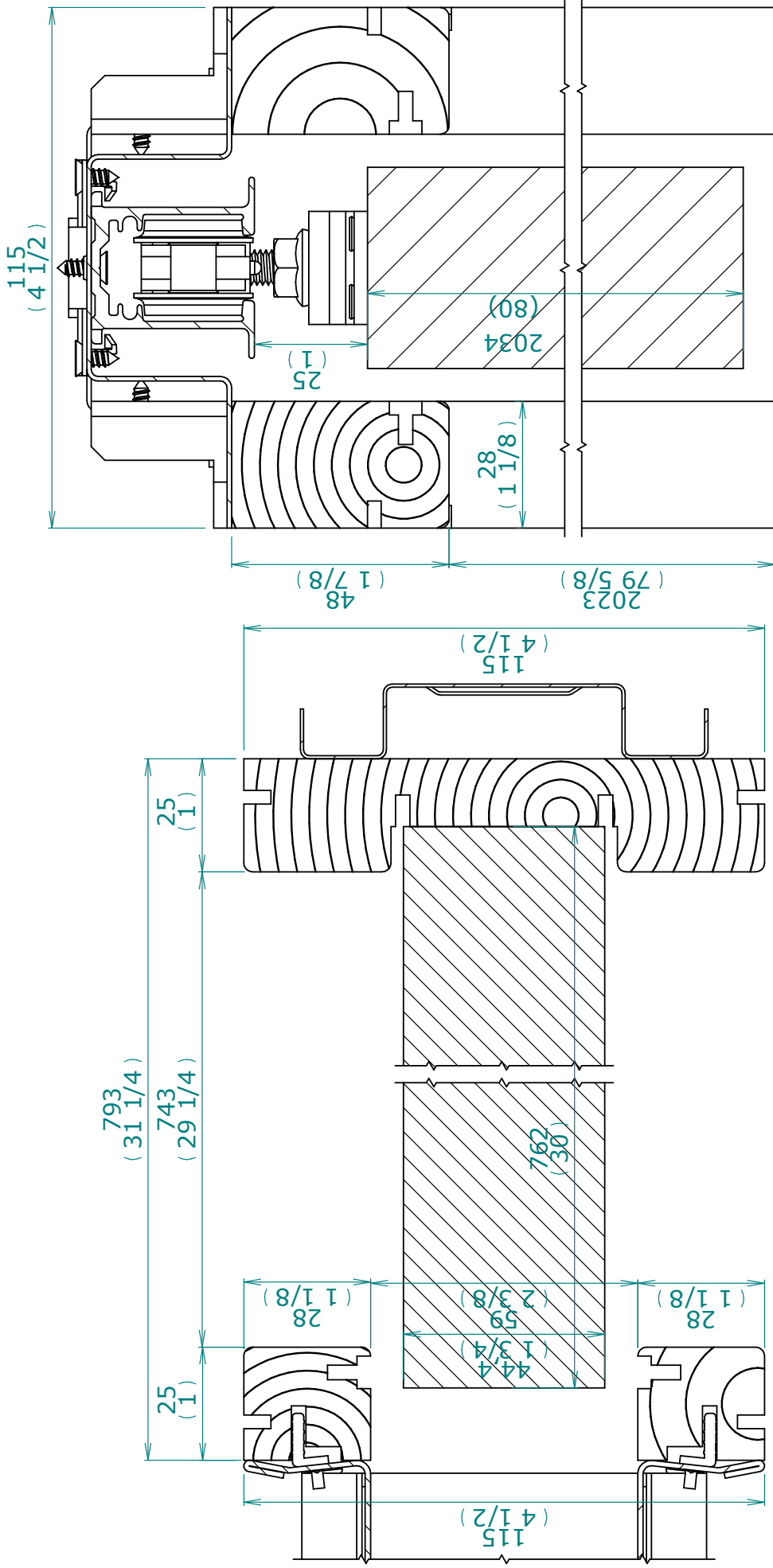


JAMBS FOR USA PRODUCT

EURO ARCHITECTURAL, LLC
 Tel: 1-800-614-1474
 Email: info@euro-arch.com



SECTION A-A

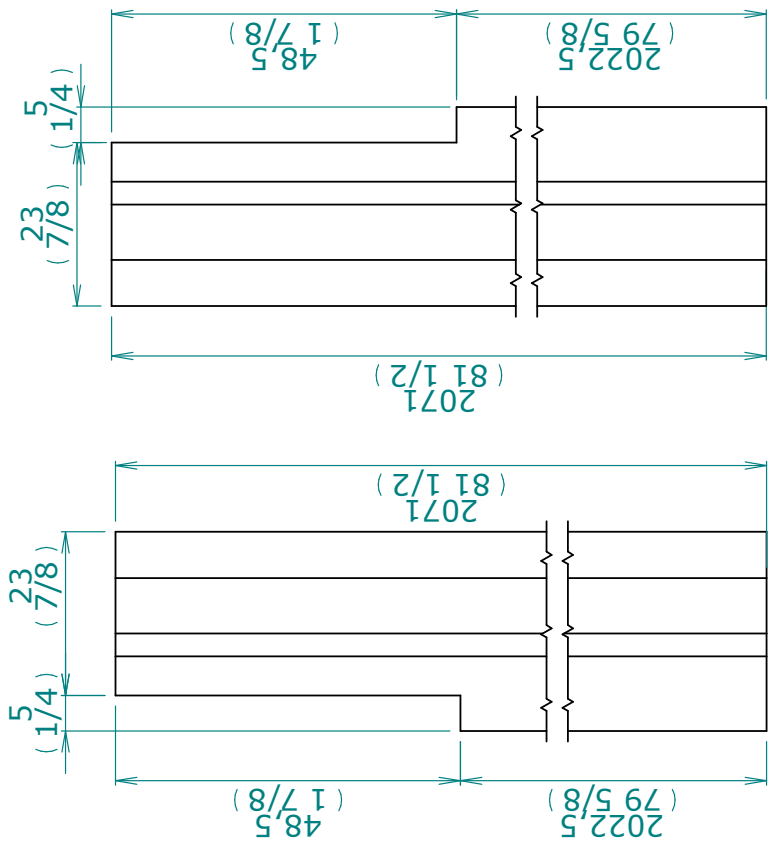
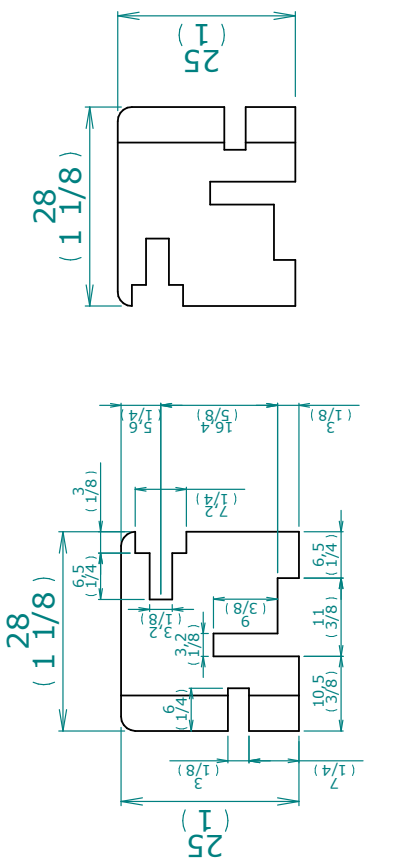
SECTION B-B



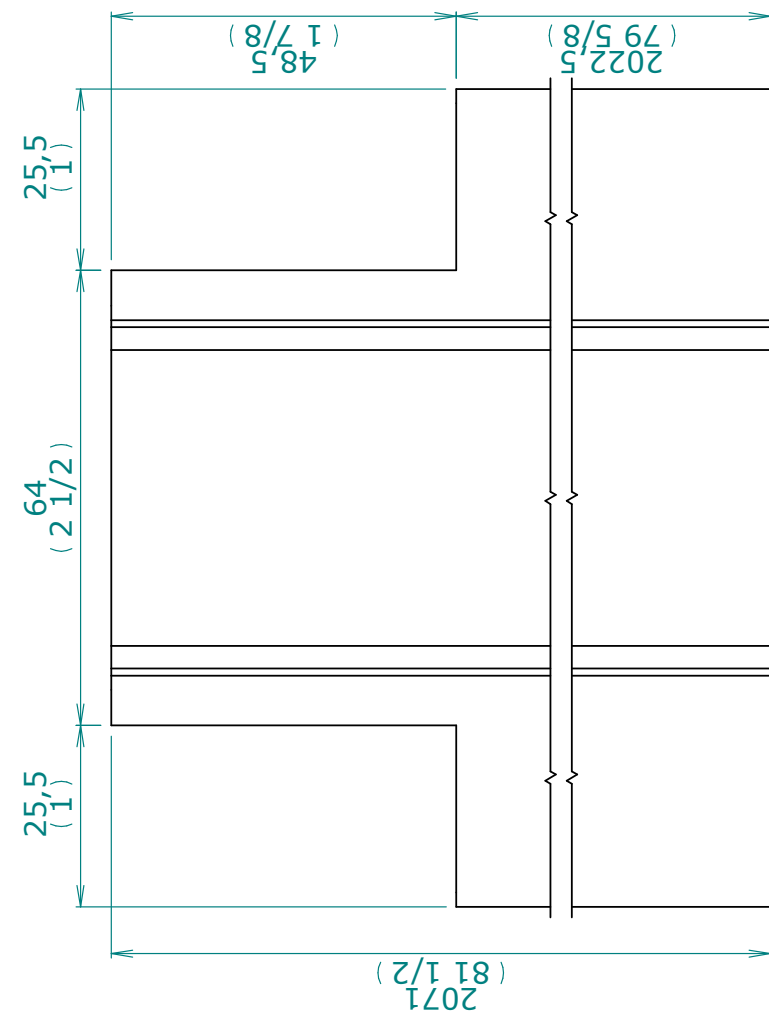
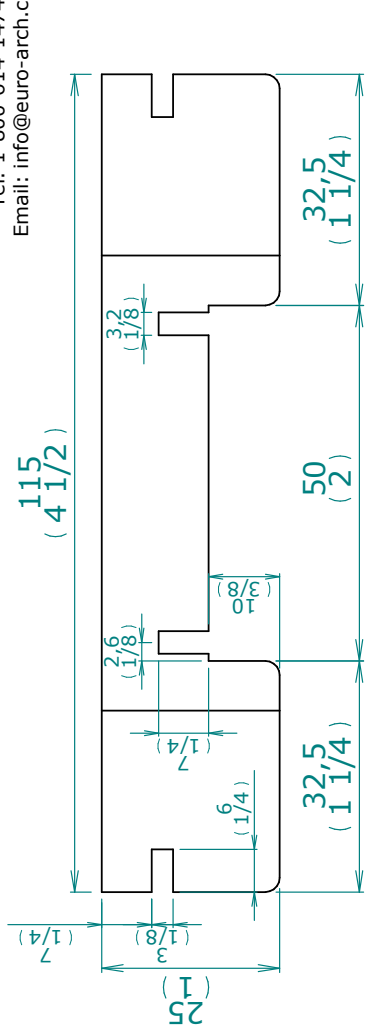
This sketch is exclusive property of ECLISSE s.r.l. and it can not be duplicated without authorization

17231

www.eclisse.us

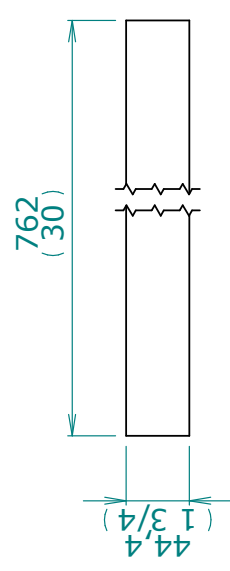
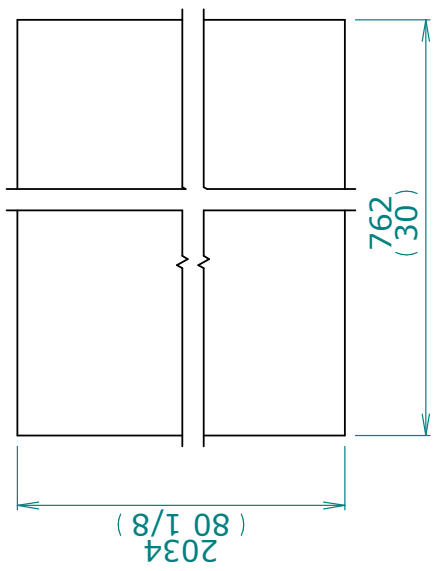
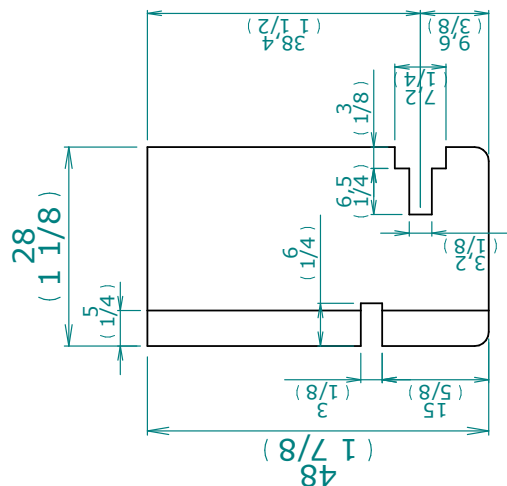
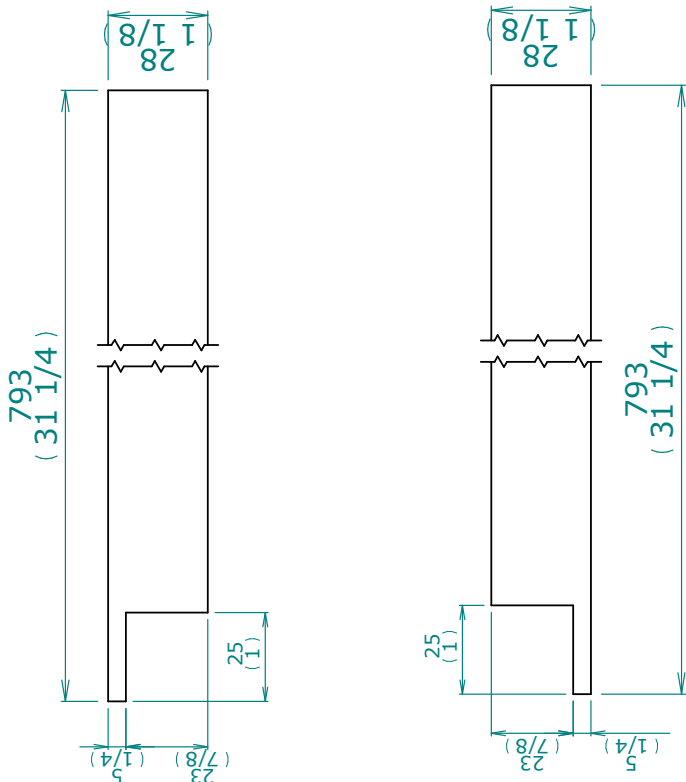


VERTICAL JAMBS



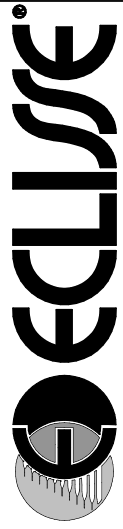
STOP JAMB



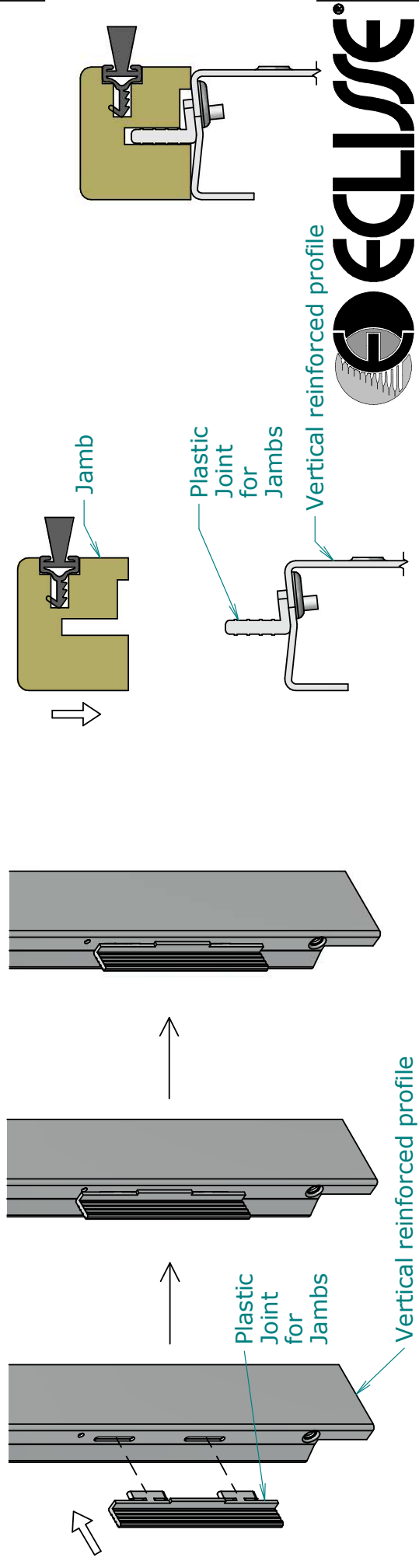
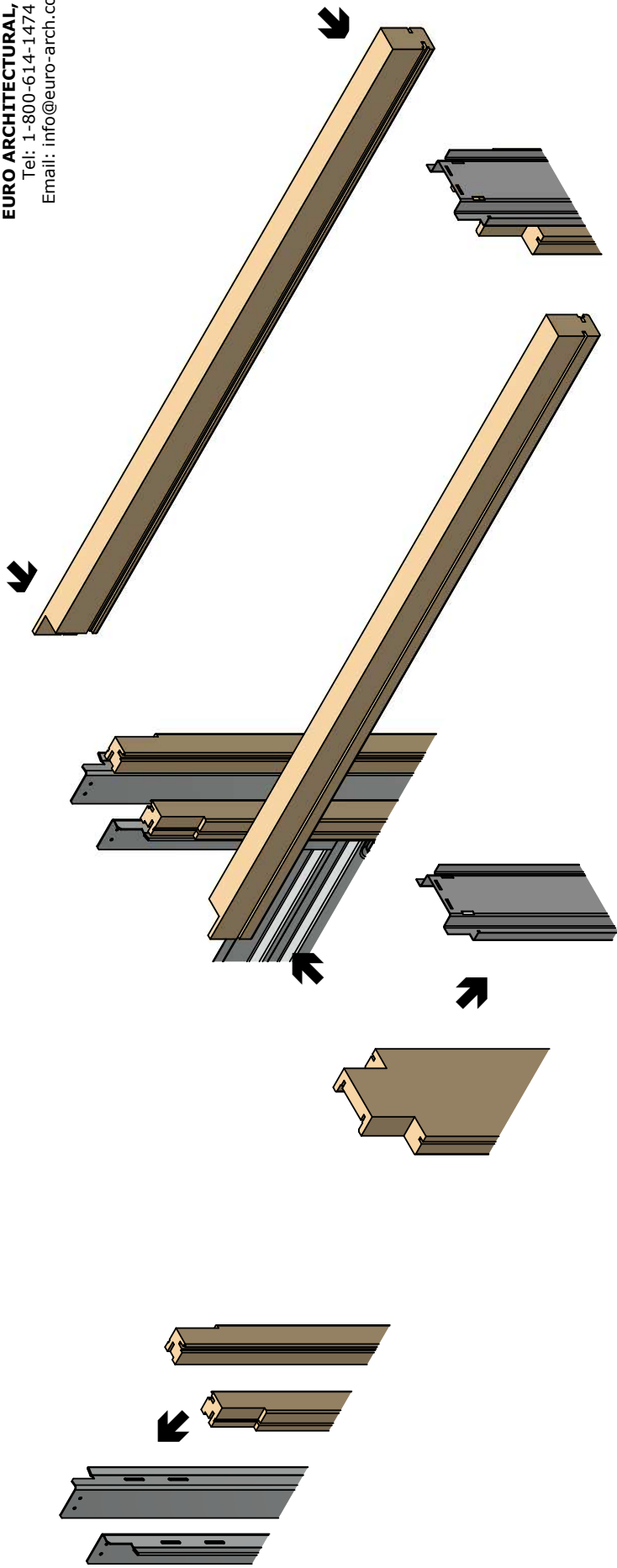


UPPER PART

DOOR PANEL



EURO ARCHITECTURAL, LLC
 Tel: 1-800-614-1474
 Email: info@euro-arch.com



17231

www.eclisse.us

This sketch is exclusive property of ECLISSE s.r.l. and it can not be duplicated without authorization