

## INNI Hot Mop Receiver **E6107**

### Features:

- Made of PPS resin resisting deformation up to 400F
- Facilitates INNI line drain installation with hot mop waterproofing
- Attach to 2" ABS, PVC or Cast Iron pipe with a flexible rubber coupling
- Offset outlet allows for installation flexibility

### Codes & Applicable Standards:

- ASME A112.18.2/CSA B125.2
- ICC

### Specified Model

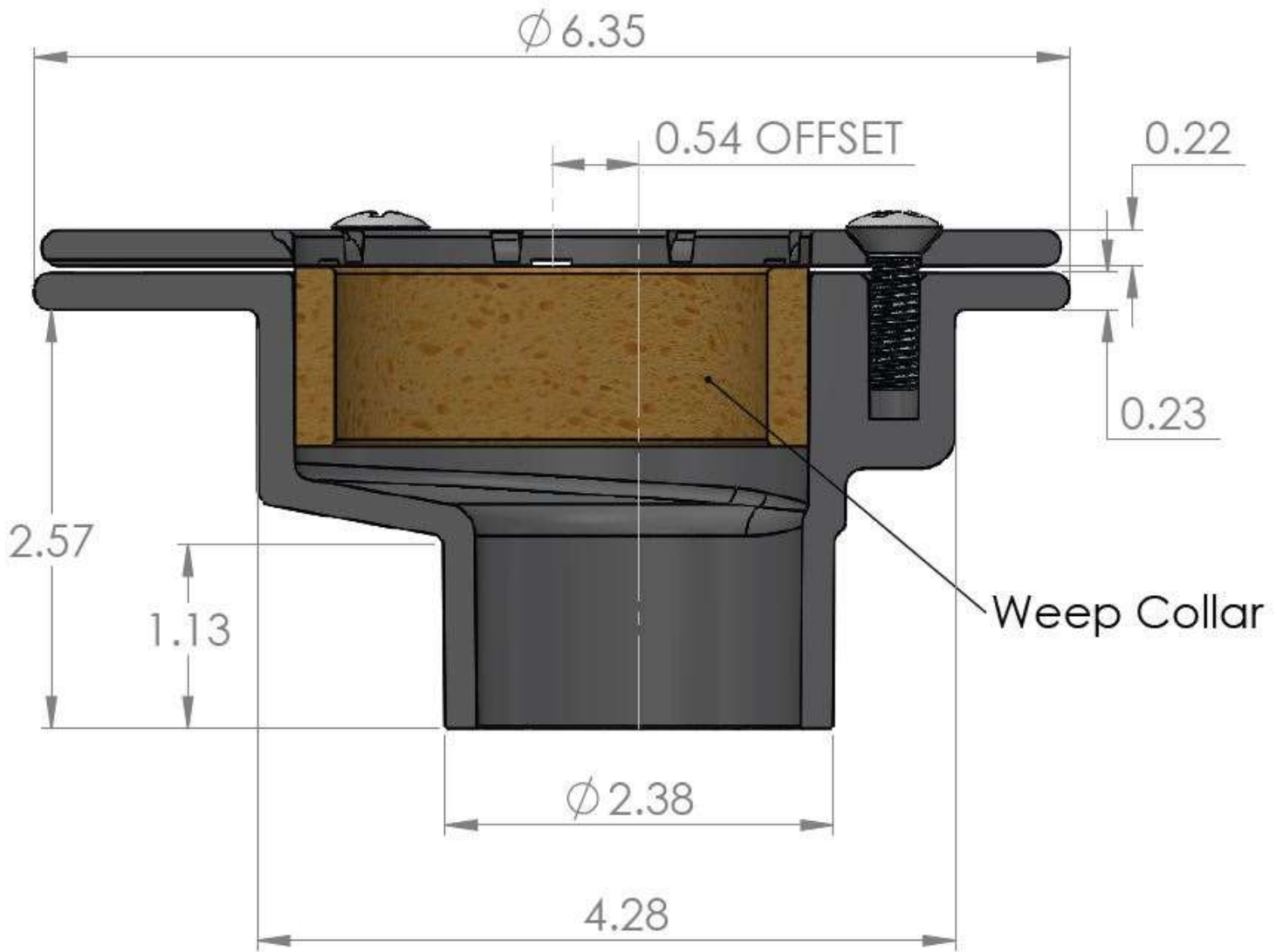
Part Name	Description	Qty
Drain Body	Main Drain body attaches to 2" waste pipe	1
Clamping Ring	Clamps hot mop waterproofing	1
Screws	5/16 -18 Stainless Steel Screws	3
Weep Collar	Reticulated foam keeps mortar back and allows weep	1

### Product Specification

The INNI Hot Mop Receiver Shall be made of PPS 40% GF construction. INNI Hot Mop Receiver shall be for use with the INNI line drain and hot mop waterproofing. INNI Hot Mop Receiver shall be model E6107

## Installation Notes

Install according to installation instructions



## Product Diagram