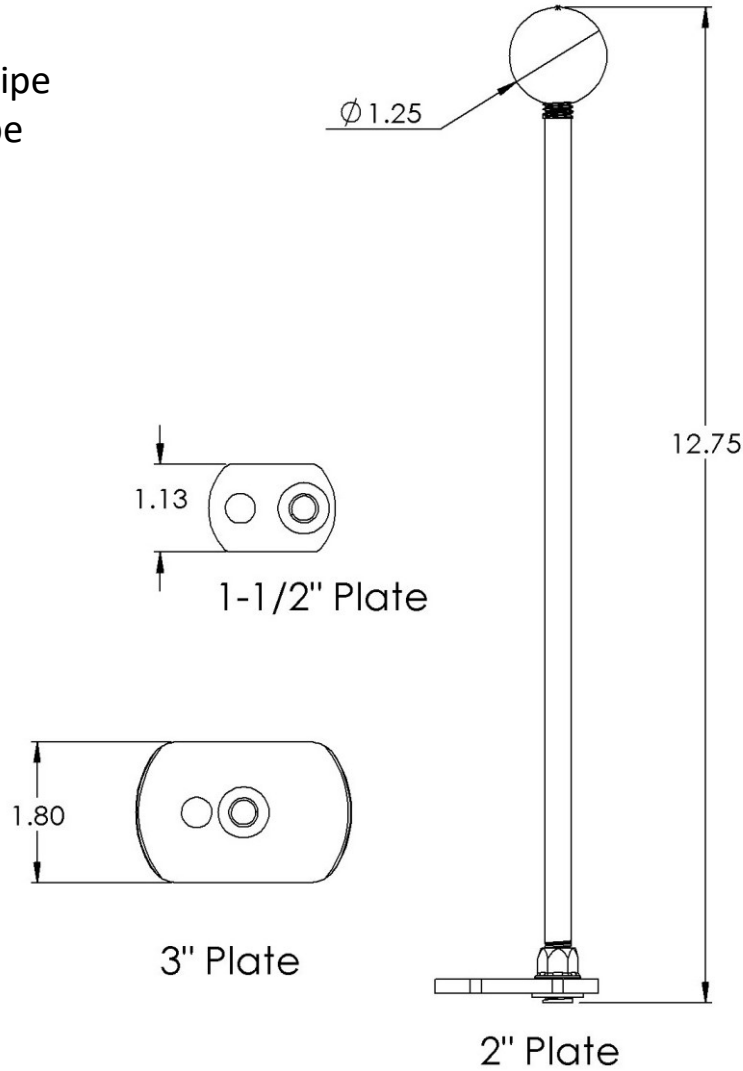


**Features:**

- Galvanized Steel Construction
- Fits 1.5" 2" and 3" pipe
- For ABS and PVC pipe

**Pipe Puller  
E117**



**Specified Model**

Model	Description
E117	Pipe puller for hard to access pipes

**Product Specification**

The Pipe Puller shall be made of galvanized steel construction. The pipe puller shall be for joining inaccessible plastic pipes to fixtures and flanges. Pipe Puller shall be model E-117