

**SUBFLOOR  
LOWERING KIT  
E116**

**Features:**

- 18 GA Galvanized Steel
- Fasteners Included
- Lowers up to 24 SF
- For Barrier Free and ADA showers
- Achieves L/360 or better floor deflection rating with a live load of 40psf & Dead load of 20psf

**Options**

- Additional Wall and Joist brackets can be purchased separately

**Specified Model**

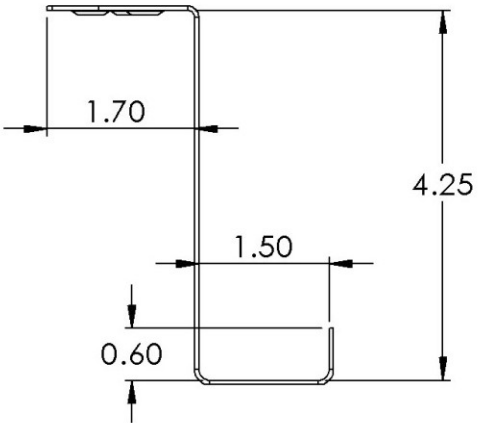
<b>E116</b>		
<b>Component Name</b>	<b>Description</b>	<b>Qty</b>
Wall Bracket	Support bracket used at vertical studs	6
Joist Bracket	Support brackets used at joists	15
Screws	1-5/8" Bugle Head Wood Screws	81
Nails	Joist hanger nails	36

**Product Specification**

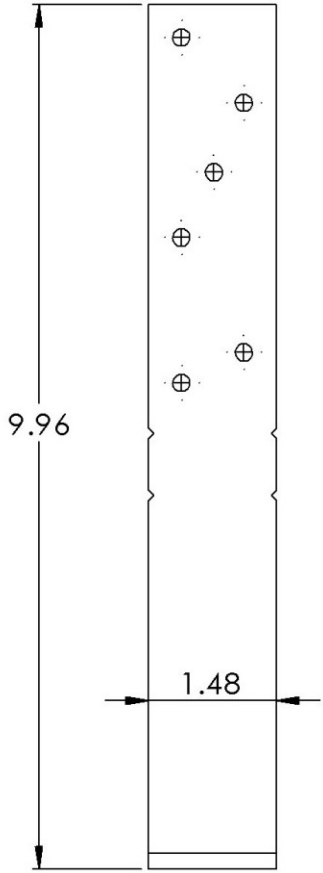
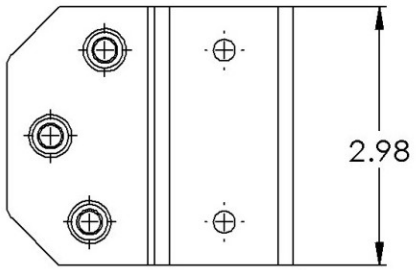
The Subfloor Lowering Kit shall be made of 18 gauge galvanized steel construction. The Subfloor Lowering Kit shall be for recessing a 23/32" subfloor between engineered wood I-joists. Subfloor Lowering Kit shall be model E116

### Installation Notes

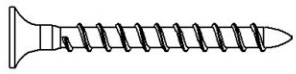
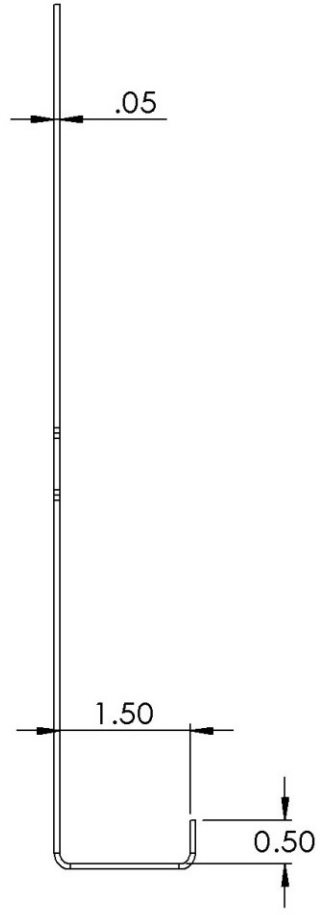
Install according to installation instructions



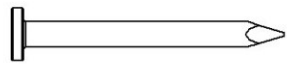
**JOIST BRACKET**



**WALL BRACKET**



**1- 5/8" SCREW**



**1-1/2" NAIL**

## Component Diagram