



GFK1800-1
Installation Instruction

Important safety information

- 1、 Please read carefully and follow instruction to operate product.
- 2.The power supply must be in accordance with local standard leakage protector. Test leakage protector before using to inspect and verify if the system is safe or not.
- 3.To prevent from electric shock, the cable must be replaced by professional electricians and distributors. The cable for EW series and ET series should be 3×1.5mm².
- 4.Grounding wire connector is provided to connect well with the surface of the water pump and air pump. The specification of the solid copper should be more than 1.5 square millimeter.
- 5.Forbid modifying the dismantling the product.
- 6.Please don't use this product after alcohol or drugs.
- 7.The children user shall be closely supervised by parents.
- 8.All the electrical spare parts except the remote control must be put properly to avoid slipping into the tub.
- 9.Warning: the water temperature shall never exceed 60 degree centigrade.
- 10.Using the highly corrosive chemical liquid to such as vitriol, hydrochloric acid and lye is forbidden.
- 11.The motor would be very hot when operating, please don't touch the surface of the motor to avoid scald.
- 12.The water level must be higher than the jet before running the motor.
13. No dropping or plunging things into the motor.
- 14.Warning--to protect from electrical shock, the GFCI/RCD(Electrical Leakage Protector)must be installed.
- 15.Warning-- to avoid electrical shock, please don't use extended wire. The socket should be installed suitably.

- 16.The condition for using the massage bathtub--the pressure of water supply should be 0.15SHO-0.40MPa. The ground must be able to support the expected load:GFK1800-1 should be 240kg.To avoid water spilling out, the water level should be under the overflow.
- 17.Proper drainage system in bathroom should be provided to deal with the overflowing water.

Maintenance Instruction

1.To clean acrylic surface:

For daily maintenance, you could use lint, sponge and water. If there are scratches on the surface, please use the NO.1500 water to burnish the surface slightly and then use toothpaste and lint to polish it. Please don't use highly corrosive chemical liquid such as sulphuric, hydrochloric acid and lye to clean it.

2.Plated item cleaning:

Please don't use rough cloth to clean it. please use soft cloth to clean the surface of the plated item for daily cleaning.

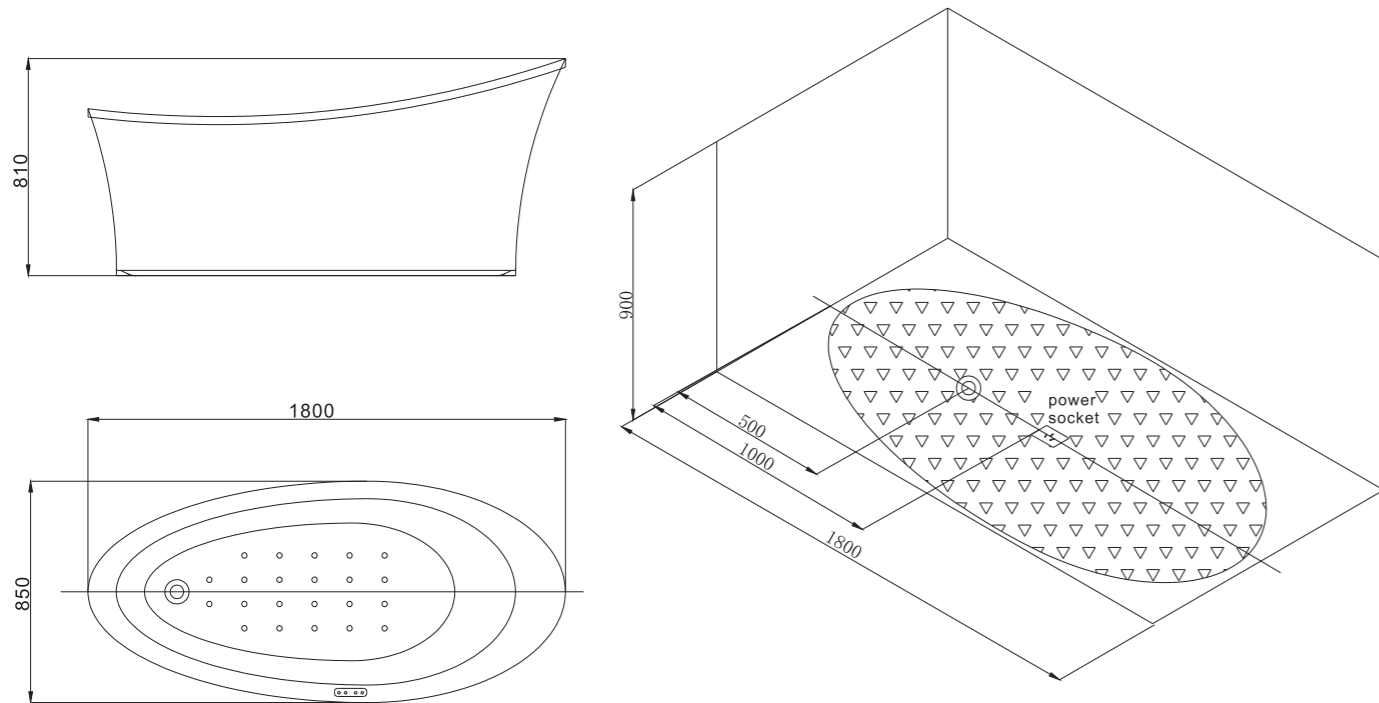
3.Suction net cleaning:

Turn the screw and take the suction net out ,clean it to keep the water running smoothly. Please don't use highly corrosive chemical product such as vitriol ,hydrochloric acid ,lye and so on.

CONTENTS

01	GFK1800-1 Diagram for water and electricity
02	Installation steps
03	Wire connection diagram for massage bathtub installation
04	Computer control panel usage instruction
05-06	Maintenance Card
07	Troubleshooting instructions for massage bathtub

GFK1800-1 Installation diagram for water and electricity



Installation Steps

The product uses standard accessories. Please refer to the technical parameters and follow the below steps for installation.

1. Confirm the position for installation → 2. Adjust the product → 3. Connect water inlet and outlet → 4. Connect power → 5. Check and confirm → 6. Reposition → 7. Put water and test

1. The installation position for the product

Please refer to the related technical parameter diagram to install water drain pipe, power socket and water-in pipe. Confirm if there is enough space for installation.

2. Adjust the product for horizontal

Adjust the adjustable leg of the product, turn it into horizontal level.

3. Connect the water inlet and outlet

The drainage pipe lays in the bottom of the bathtub, with the diameter 38mm. The pipe can be bent in whatever way you like. Please plunge the elbow into the drainage system and seal it well. Please keep the pipe running through to avoid water exhausted.

4. The power connection

The product is adjustable by the required power, Please refer to technical parameters to install power socket. Pay attention to water proofing and plunge the plug into the power socket. (Noted: the yellow-green bi-color wire from the pump is the grounding line and the diameter is 8mm.)

5. Check and confirm

After the above steps, please check the connection point is safe or not. Clean the dirty things in the bathtub and open the water drainage. Wash the tub by water. In order not to stuff the water drainage and jets, please do clean the dirty things before washing.

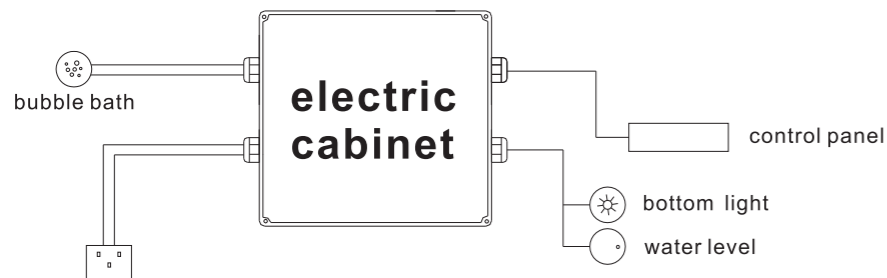
6. Reposition

Reposition the product to the installation site.

7. Pour the water in, check and test before use

Confirm the bathtub is clean. Close the water drainage and start storing the water. When the water level is higher than the probe, turn on the bathtub and begin to use according to the function instruction of control panel.

GFK1800-1 Wire connection diagram for installation



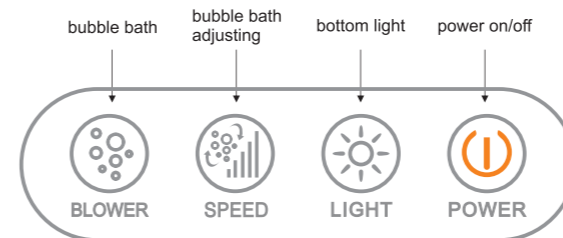
voltage:~220-240V

Electric parameters

Configuration Parater	air pump	ozonizer	bottom light	thermostat	Solenoid valve	computer control panel	speaker	note
Rated voltage	AC220-240V/50HZ		DC12V			AC220V/50HZ		
Rated voltage	AC110-120V/60HZ		DC12V			AC120V/60HZ		
Rated power	400W		12W					

Computer control panel usage instruction

Computer control panel



Basic function

1.Induction key. When the key's operation is effective, you can hear the sound of 'beep'.When the operation is invalid, the system has no reaction.

Keys operation

1.power on/off

Press the key for one second to open and close the computer; The computer will shut down automatically when the starting time is over one hour. When the bottom light is open, the power on/off key and red back light are also open.Press the again to end all functions.

2.bottom light key

When the bottom light is open, press to open or close the bottom light.

Function instruction of bubble bath

2.The strength of bubble bath function can be divided into weak, medium and strong type.

3.Bubble bath function key

When the control system is open, press to open or close the bubble bath function and red back light.

4.Bubble bath adjusting key

When the control system and bubble function is open , you can press to adjust the strength of the bubble bath among the strong, medium and weak type.

Cleaning function instruction

The air pump will start automatically and dry the water in the pipe of bathtub when the control system is enclosed and the system lacks water for 30 seconds.(The standard is based on the water level probe which can not detect the water within ten seconds)

Trouble shooting

Malfunction	Causes	Solution	Malfunction	Causes	Solution
Too much noise and shake of massage bathtub	<ol style="list-style-type: none"> 1. Bottom stand doesn't balance, nut is unscrewed. 2. Fixed screw or shockproof rubber of motor is loose or not enough. 3. Motor racing. 4. Motor malfunction 	<ol style="list-style-type: none"> 1. Put bathtub on the ground, adjust the bottom stand and then screw down nut. 2. There should be four screws and four shockproof gasket to fix motor, and fix screws tightly. 3. Add water to the standard level till water is higher than probe screw. 4. Contact with distributors or EAGO company. 	Light doesn't work.	<ol style="list-style-type: none"> 1. Plug is not connected. 2. Malfunction of control circuit board. 	<ol style="list-style-type: none"> 1. Connect plug again. 2. Contact with distributor or EAGO company.
The motor of massage bathtub works normally; However, there is no water spraying out or water pressure of jet is abnormally.	<ol style="list-style-type: none"> 1. Part of backwater net is stuck. 2. Water level is low. 3. Water regulator is closed. 4. There is air in water inlet pipe of water. 5. Others. 	<ol style="list-style-type: none"> 1. Clean backwater net with screwdriver and clear away the sundries to keep back water running smoothly. 2. Add water to the standard level to keep it higher than probe screw. 3. Turn on the regulator. 4. a) Turn on cleaning function valve to discharge air. b) Screw down water inlet pipe of water pump with each component to prevent air in pipe. c) Turn off cleaning valve. 5. Water pipe and air pipe connect reversely, ask the maintenance personnel to repair. maintenance personnel to repair 	Water inlet flow is small.	<ol style="list-style-type: none"> 1. Water inlet pressure is low. 2. Water inlet pipe is stuck. 	<ol style="list-style-type: none"> 1. Check water inlet pressure. 2. Clean filters.
			Shunt valve can't isolate water	<ol style="list-style-type: none"> 1. Gasket of valve is broken. 	<ol style="list-style-type: none"> 1. Replace a new one.
			There is no air coming out from air hole of bubble bath.	<ol style="list-style-type: none"> 1. Air pipe is stuck by sundries. 2. Wind pump is closed. 3. Wind pump could not be started. 	<ol style="list-style-type: none"> 1. Take off the jet and dredge the little air pile with iron wire. SSS. 2. Start wind pump function. 3. Check wind pump as it fails to start procedures.
			Drainer could not bounce or drain water.	<ol style="list-style-type: none"> 1. Screw is loose or being adjusted too low. 2. Travel able of drainer is broken. 3. Gasket is not flat. 	<ol style="list-style-type: none"> 1. Take off the plug of drainer and screw the screws tightly or adjust them to suitable position. 2. Check and replace a new one 3. Take off gasket and reinstall it.
			It could not drain totally.	Separate massage bathtub could not drain water for its specific construction.	
Massage motor or air pump motor could not be started.	<ol style="list-style-type: none"> 1. Turn off the power. 2. Ask professional electricians to check and replace the fuse. 3. Contact with distributor or EAGO company. 4. Add water to standard level till water is higher than probe screw. 5. Ask professional electricians to replace the same model. 	<ol style="list-style-type: none"> 1. Voltage is abnormal or power is off. 2. Fuse is burnt or tripping operation of creeping switch. 3. No display of circuit board. 4. Water level probe doesn't have signal. 5. Pressure switch is broken. 			