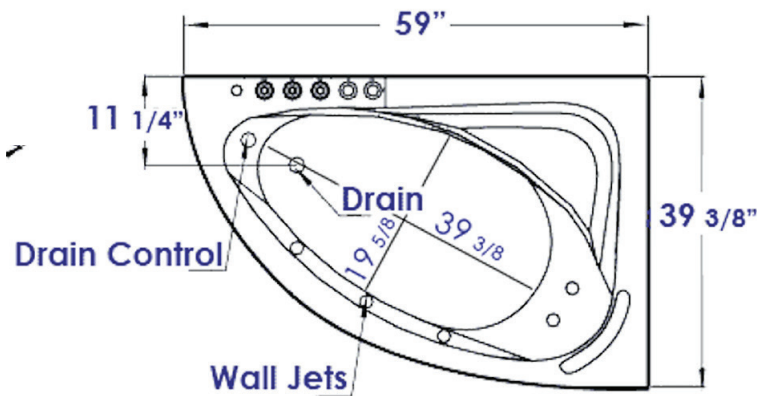
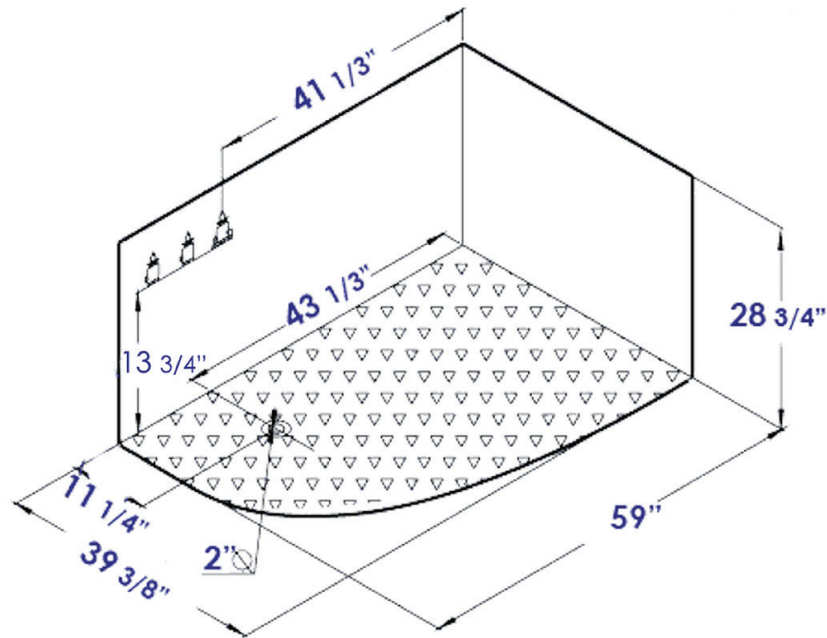
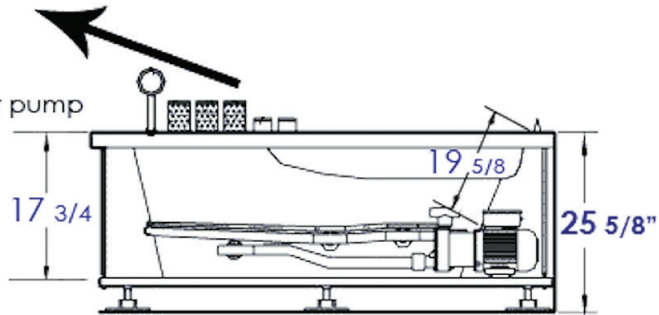


**Fixtures from left to right**

- Hand held shower head.
- Diverter
- Hot Water
- Cold Water
- Water strength adjustment for pump
- Air Switch on/off for pump



**Note:** All product dimensions are approximate and should be verified on site prior to installation.  
 Visit [www.EAGOUSA.com](http://www.EAGOUSA.com) for more information.