

Product Installation Manual

TBM/L-3E

Product Installation Manual

Installation Instruction for Water Closet

Before Installing

1. Read the instruction carefully to be familiar with the tools, fittings and installation procedures to prevent any unnecessary damage.
2. Check the fittings follow the fitting form and check whether there is any damage of the product.
3. Check whether the roughing-in on installing position is aligned with the one of product. Realize all the stipulates for pipelines preposing for water supply.
4. Because the ceramics is easy to be damaged, please handle it gently and the nut should not be overtightened.
5. The floor of installation position should be flat and hard.
6. If you want to change the water closet, please turn off water supply and flush the water closet to make sure no water remains inside the product. Remove the soft pipe for water supply, and unfasten screws. Then remove the water closet and the old gasket and clean the end of the outlet of drainage.
Note: If you do not install the water closet at once, please plug the drainage outlet with paper.
7. Make sure water supply has been turned off..

NOTE: 1. Refer to the newest information of the printed matter. We reserve the rights to change the features, packing and fittings of the products without notice.
2. Please keep the installation instruction carefully (including installation procedure, fitting form, trouble shooting and notice.)

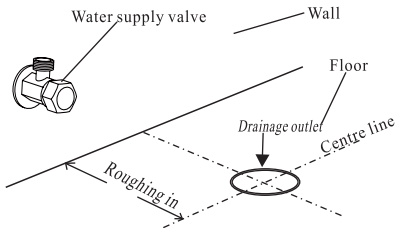
Tools and Fittings (Not supplied with the product)

- | | | |
|-----------------------|----------------|-------------------------|
| 1.monkey wrench | 5.level | 9.water supply valve |
| 2.pipe wrench | 6.screw driver | 10.connecting soft pipe |
| 3.tapeline | 7.hacksaw | 11.silicone |
| 4.percussive drilling | 8.sinker | 12.flange |

Installation Procedure

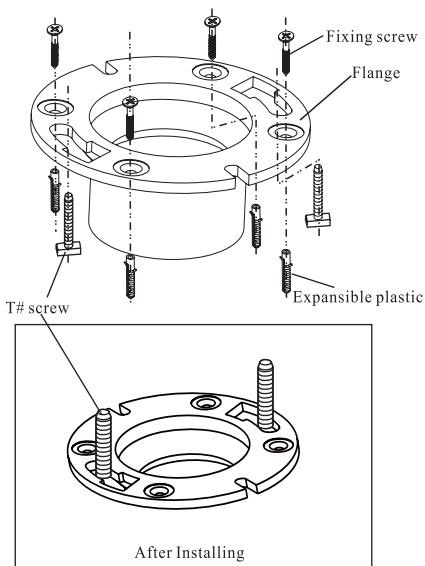
1. Install the water supply valve onto the installing position according to the dimension of the product. Then clean the drainage outlet.

Note: Do not use high-congealed material (cement & mortar) when you installing the product because of the dilatation for the cement which will damage the bottom of product. We has no responsibility for that damage.

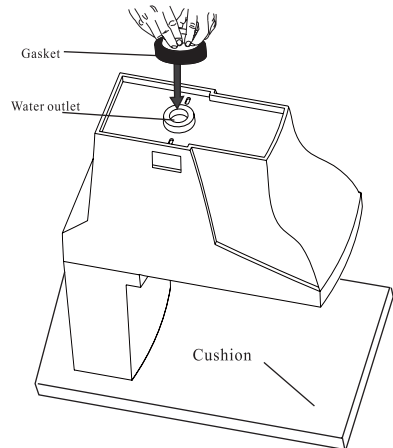


2. Make the flange aligned with drainage outlet and mark the installation position for screws. Install two pieces of T# screws with diameter of 8mm upwards through the flange. Then fix the flange on the floor.

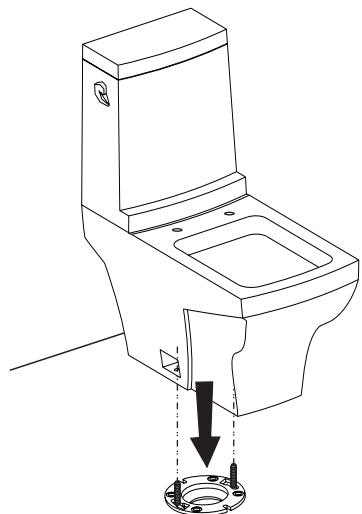
Note: Obstruct the drainage outlet with paper or rag before drilling holes to prevent anything fall into the pipe.



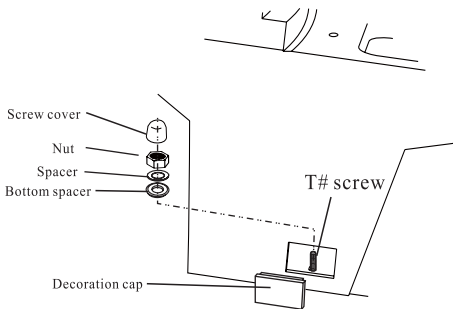
3. Invert the water closet onto the soft cushion carefully to prevent any scratch. Then cover the gasket onto the water outlet tightly and make sure the waste pipe is not chocked.



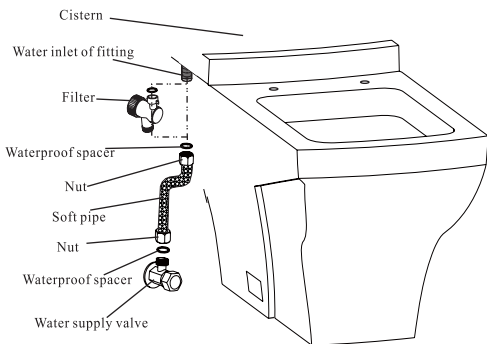
4. Put up the water closet to make it aligned with flange. Make sure the two pieces of T# screws are all through the installation holes of water closet. Then press the product downwards until it is flat to fix the seal. Note: Do not put it up or remove it again after the water closet installed. Change the gasket if it does not work any more.



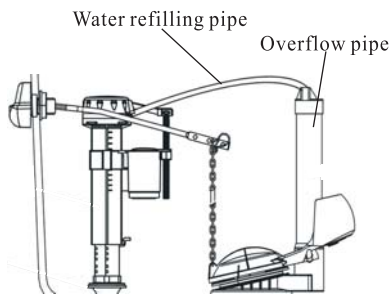
5. Cover the bottom spacers, spacers and nuts onto the T# screws by getting your hands through from back of the product. Fasten the nut by hands first and then by spanner from the side hole. Then cover the screw cover. Cover the decoration cap onto the side hole.
 Note: the nut should not be overtightened to prevent any damage.



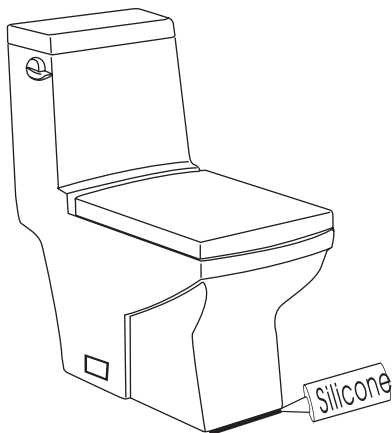
6. Get the water supply valve and water inlet with connecting soft pipe (If the fitting is separate filter, please connect to the filter first). Turn on the water supply valve to make sure there is no leakage. After installed, fasten the nuts a litter to prevent any leakage.



7. Open the cistern cover and make sure the overflow pipe is inserted into the water refilling pipe.
 Note: If the water refilling pipe do not insert into the overflow pipe, the flushing water will be inadequate.



8. Install the water closet seat according to the installation instruction, then daub a layer of silicone between the product and floor.



Troubleshooting

Malfunctions	Reason	Solutions
No incoming water	<ol style="list-style-type: none"> 1.The main water valve does not open. 2.Incoming water filter net is clogged. 3.Floating ball of water inlet valve in cistern does not work. 	<ol style="list-style-type: none"> 1.Turn on the valve. 2.Clean the net. 3.Readjust the floating ball.
Non-stop incoming water	<ol style="list-style-type: none"> 1.Higher water pressure. (The standard is 0.1-0.3MPa) 2.Floating ball of water inlet valve does not work. 3.Water inlet valve is broken. 4.Floating ball of water inlet valve touches the inwall of cistern. 	<ol style="list-style-type: none"> 1.Reduce water pressure. 2.Readjust the floating ball. 3.Call your dealer to replace a new inlet valve. 4.Adjust the direction of floating ball.
Inadequate flushing water	<ol style="list-style-type: none"> 1.The water level of inlet valve is too low. 2.The push button does not reach pushing point. 3.Press the wrong button. (Dual Flush) 	<ol style="list-style-type: none"> 1.Adjust the water inlet valve to appropriate position. 2.Adjust water level rod. 3.Identify small and large flushing button or call you dealer.
Slow drainage (Inadequate suction)	<ol style="list-style-type: none"> 1.The drainage outlet is not aligned with the outside drainage pipe. 2.Drainage pipes are obstructed. 3.Inadequate flushing water. 	<ol style="list-style-type: none"> 1.Readjust or reinstall the product. 2.Clean the drainage pipes. 3.Adjust the water in cistern.
Leakage	<ol style="list-style-type: none"> 1.The hexangular nuts of water inlet valve are not fastened. 2.The water supply spacer of inlet valve is damaged. 3.The water supply spacer on the bottom of cistern is damaged.(Separate Water Closet) 	<ol style="list-style-type: none"> 1.Fasten the nuts. 2.Change the water supply spacers. 3.Change the water supply spacers.
Overflow from drainage pipe	<ol style="list-style-type: none"> 1.Drainage pipes are obstructed. 2.Water outlet pipes are obstructed. 	<ol style="list-style-type: none"> 1.Clean the drainage pipes. 2.Clean the water outlet pipes.

Precautions:

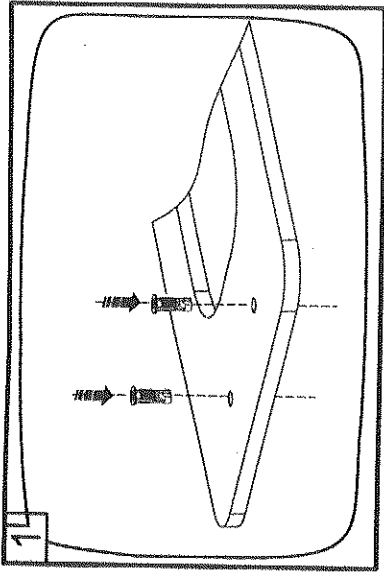
1. Do not use the sitting we pan when the water temperature is 0°C below, please stop using it when the temperature is under 0 degree centi grade, and clean away the surplus water in it, otherwise the product will be damaged when the water icing and expanded.
2. Do not throw newspaper, paper diapers, sanitary napkins or other similar articles in the sitting we pan.
3. Do not impact the ceramic part heavily in case of any damage.
4. To keep the normal flushing function of sitting we pan, please use a long-handle nylon brush and a neutral cleanser to clean up the flushing hole or pipes, so as to prevent the accumulation of mineral substance. It is suggested to make cleaning once a week.
5. Clean up the filter once a month at least, so as to prevent slow water inletting or water blockage in the tank.
6. Do not use any cleanser in the tank; otherwise, the accessories (rubber) in the tank may be damaged,thus ,causing leakage or damage to the building.

Precautions and Maintenance of Cover Plate:

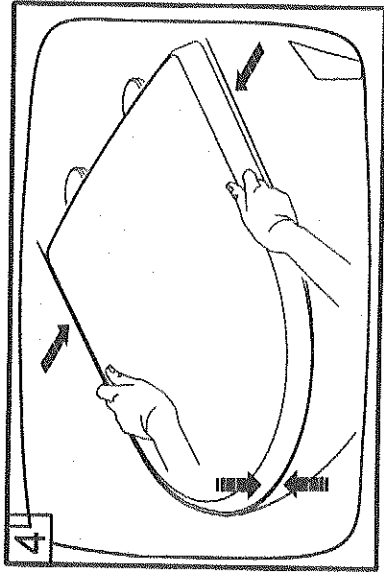
1. Do not expose the cover plate to direct sunlight and keep it far from direct heat source or oil smoke.
2. Do not use a steel brush or a knife to clean the cover plate.
3. Do not use a corrosive chemical to clean the cover plate.
4. Do not put hard objects on the cover plate, such as tank cover, flower pot, pail and basin etc.

If the above precautions are not followed, discoloration, deformation, distortion, craze cracking or scratching of cover plate may occur.

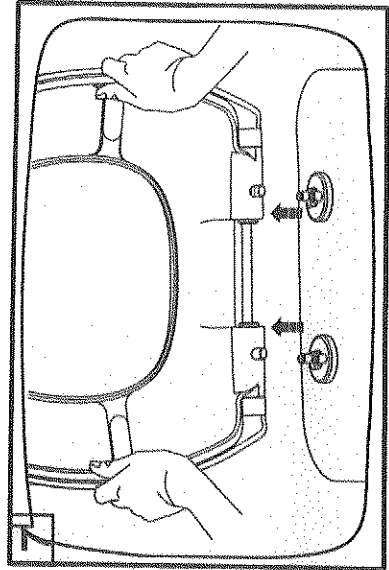
We reserve the final explanation right to this manual. If there is any discrepancy with previous manuals, this manual shall be regarded as standard.



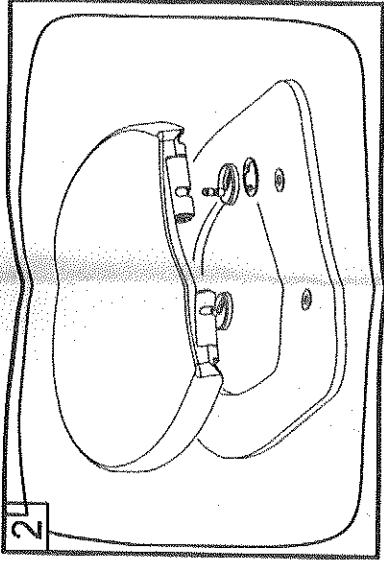
1 Insert the expansion rubbers into the hinge holes of the WC pan.



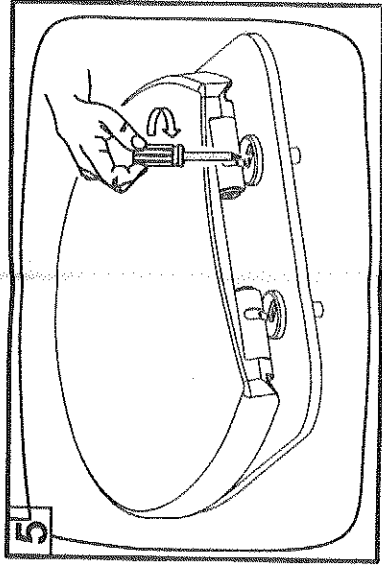
2 Align the toilet seats with the WC pan.



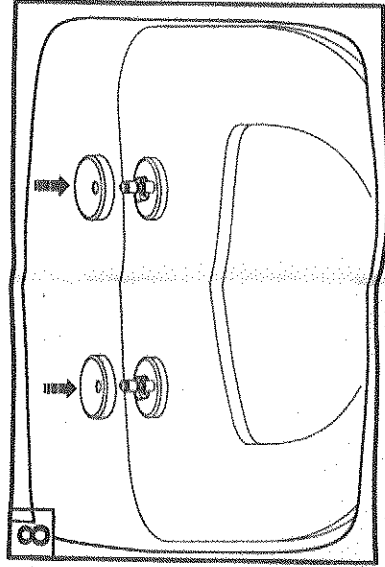
3 Lift the toilet seats.



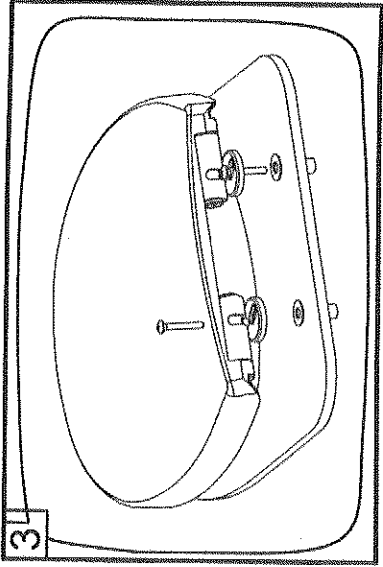
4 Mount the hinges onto the shaft of the toilet seats.



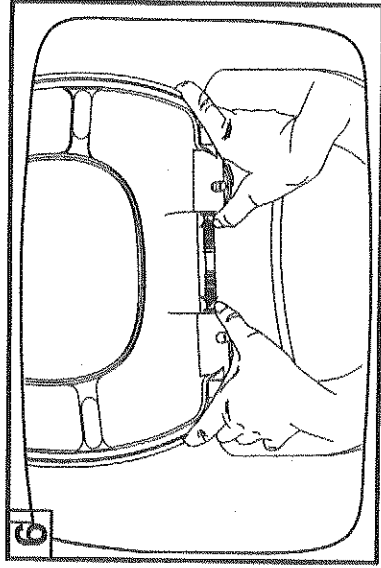
5 Screw the bolts.



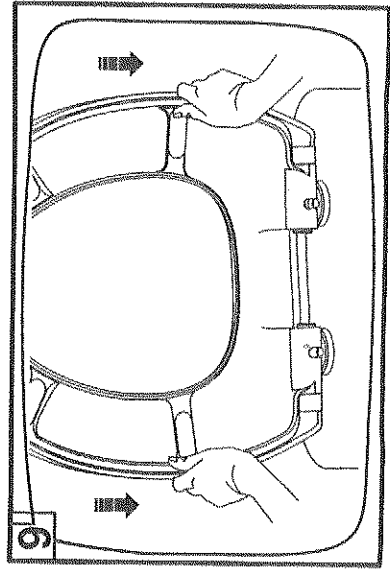
6 Put on the cover of the hinge.



7 Plug the bolt into the expansion rubber.



8 Push the right and left buttons.

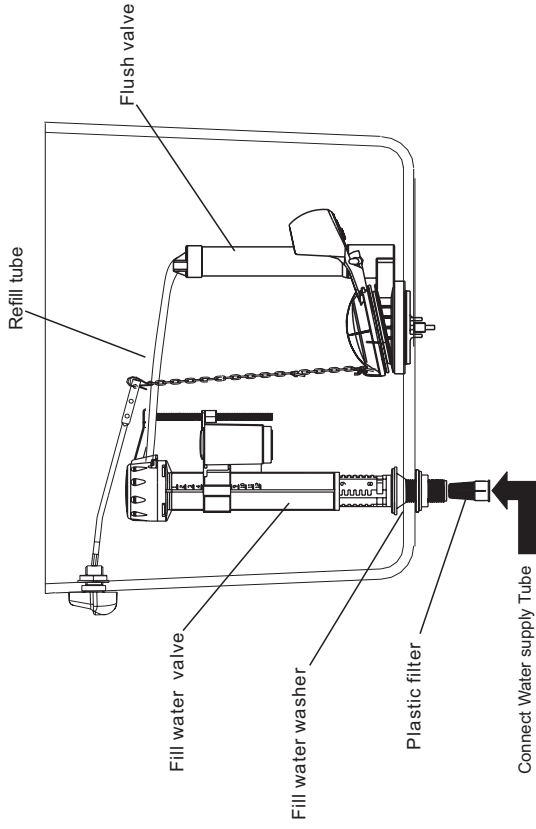


9 Mount the toilet seats.

Installation Manual of Tank Trim

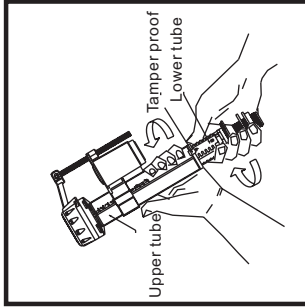
Please show the manual to final customer.

General Drawing

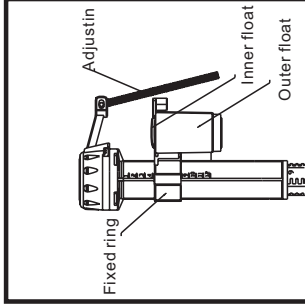


Installation

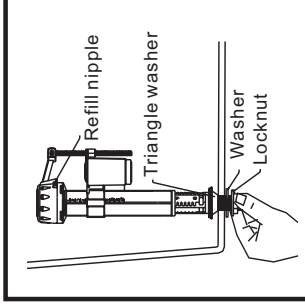
1. Installation of fill valve



Take off the tamper proof, and adjust the height by screwing the upper and lower tube. Then fix the tamper proof.

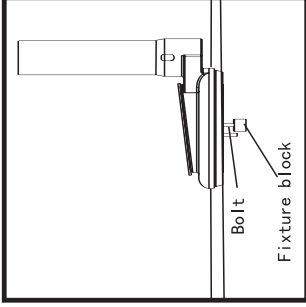


Pull the adjusting rod, and raise or lower the fixed ring to the desired water level.

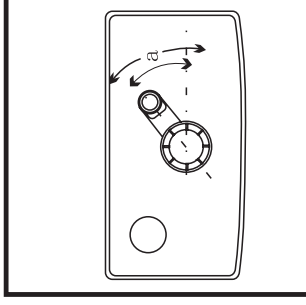


Unscrew the locknut and washer. Position the fill valve into the tank, then screw the washer and locknut.

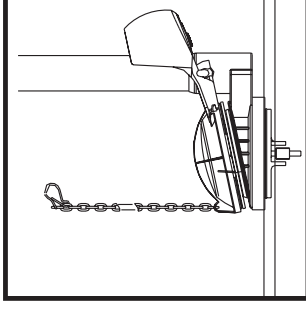
2. The installation of flush valve



Screw the flush valve tight, and make sure the fixture block and seal washer attach on the tank wall. Put the flapper on the flush valve .

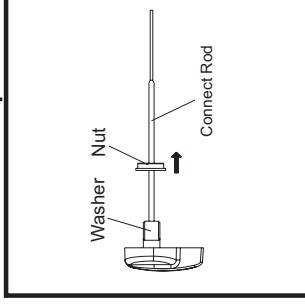


Adjust the angle of the flush valve, make sure the flapper is easy to open, and the chain is not blocked.

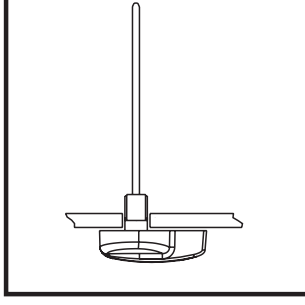


Screw the flush valve tight, and make sure the fixture block and seal washer attach on the tank wall. Put the flapper on the flush valve .

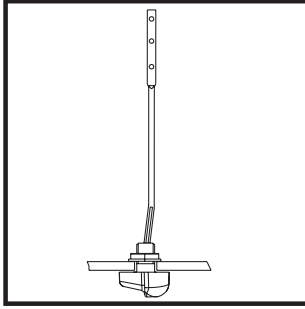
3. Installation of push button



Loose the nut clockwise take away the nut and the washer from the rod.



Install the rod into the tank handle hole.



Enter the nut on the handle and tighten.

WARNING:

Do not use an in-tank type bowl cleaner in your toilet. In-tank cleaners containing chlorine (calcium hypochlorite) can seriously damage fittings in the tank. We shall not be responsible for any tank fitting damage caused by the use of cleaners containing chlorine (calcium hypochlorite). We will not be liable for damages due to improper handling or installation, abuse, or alteration of the product. We disclaims any responsibility for incidental or consequential damages.

Attention: If the product is different from the drawing, Please take the object as right.