

Electrical

Electrical supply: 110-120 V AC, 60 Hz, requires a dedicated circuit
 Rated power: 1400 W
 Motor type: Dyson digital motor. Switched reluctance brushless
 Motor speed: 81,000 rpm
 Heater type: None
 Standby power consumption: 1 W
 Energy consumption per dry: 0.00468 kwh

Construction

Polycarbonate- ABS casing with homogenous antimicrobial additive in all external surfaces
 Color finish: Gray or white
 Light reflective value: 28.3 (gray); 77.4 (white)
 Anti-microbially integrated external plastics and seals
 Galvanized steel back plate / mounting bracket
 Tamper-proof T30 type exterior screws
 Water ingress protection to IPX 5

Filtration

Anti-microbial HEPA filter
 Particulate removal tested to 99.5% at 0.15 μ MPPS according to EN1822
 Bacteria removal 99.97%

Operation

Touch-free infra-red activation
 Hand dry time: 12 seconds (measured to method defined by National Sanitation Foundation protocol P335)
 Airspeed at apertures: 400 mph
 Operating airflow: 66 CFM
 Rated operating noise power: 85 db(A)

Logistics

Single unit order code: 14225-01 (gray); 19808-01 (white)
 Unit weight: 22 lb
 Packaged weight: 29 lb
 Packaged dimensions: 28.7" \times 14.1" \times 11.9"
 Pallet count: 13
 Pallet type: US
 Unit barcode: 879957002210 (gray); 879957003989 (white)

Standard warranty

5 year parts, 1st year labor limited

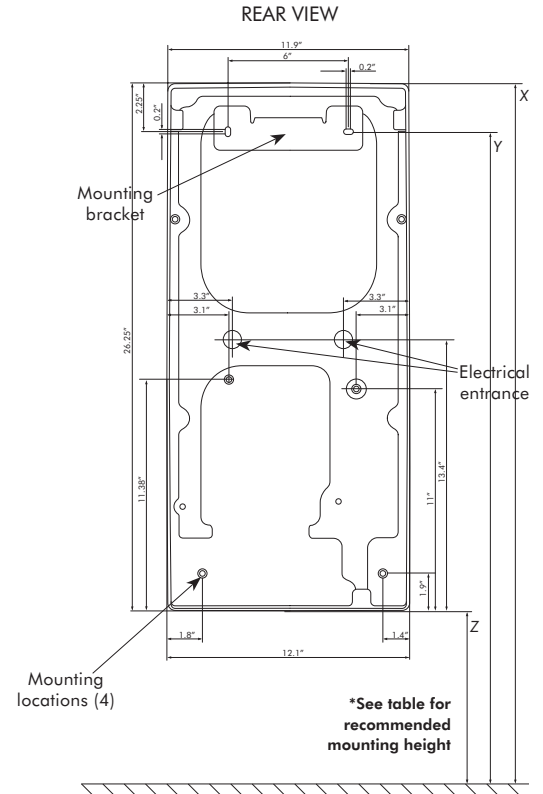
Product Certification

ETL listed in accordance with UL 507
 ADA Compliant
 Approved for food environments by HACCP International

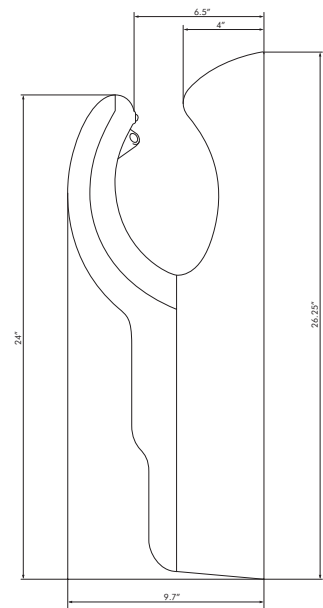
*Recommended installation heights measured from floor	Male	Female	Child or Disabled
x To top of machine	41.5"	38.5"	34.5"
y To mounting bracket screw	39"	36"	32"
z To bottom of machine	16.25"	13.25"	9.25"

Minimum: 6" from floor, 3" clearance either side and above machine.

For further information please contact Dyson at **1-888-397-6622** or email any questions to **airbladeinfo@dyson.com**



SIDE VIEW



TESTED. CERTIFIED. HYGIENIC



www.GreenSpec.com