

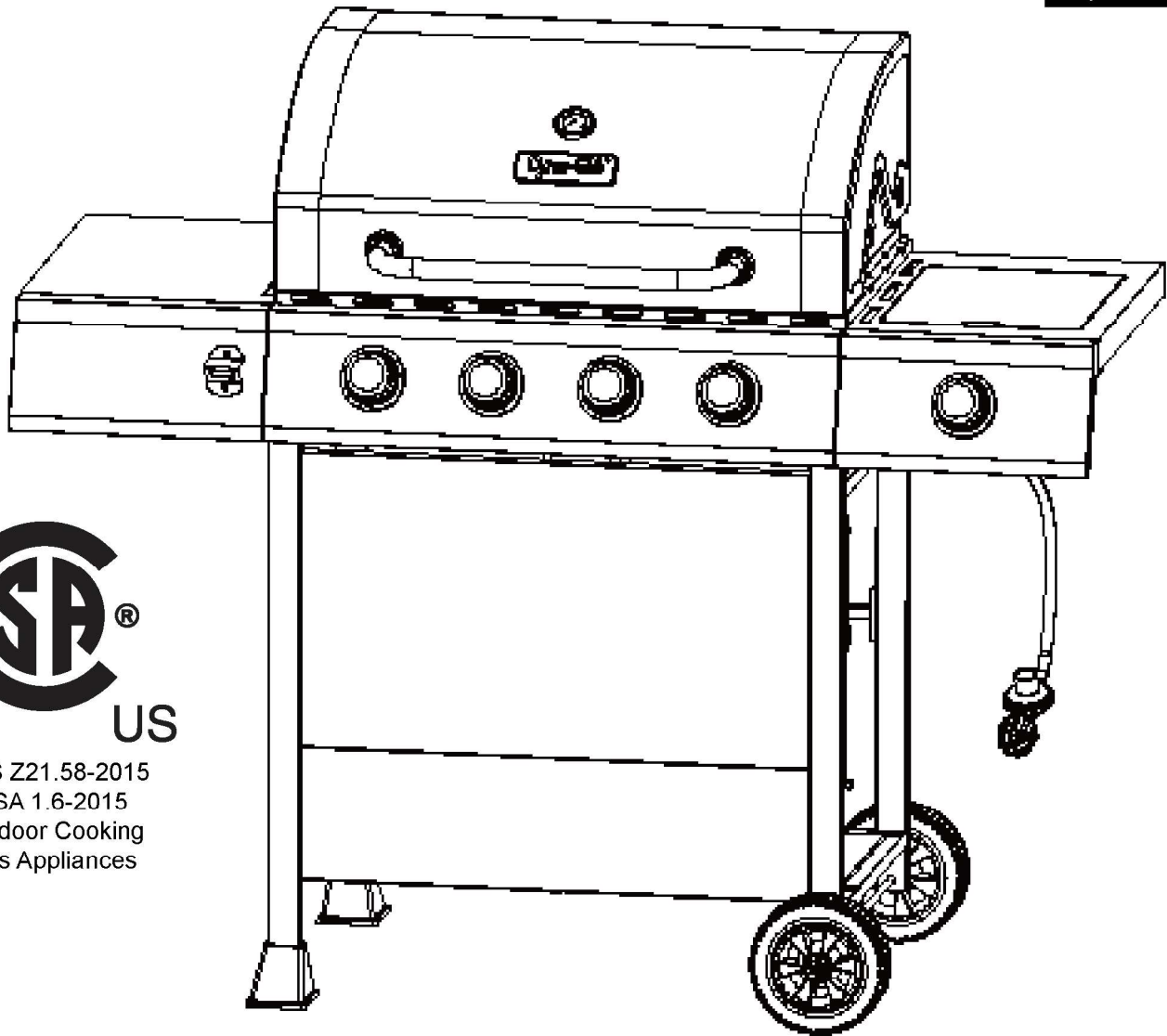
Dyna-Glo®

4-BURNER LP GAS GRILL WITH SIDE BURNER

Model #DGB494SPB/DGB495SDP/DGB495SDP-D

Français p. 31

Español p. 61



C US
ANS Z21.58-2015
CSA 1.6-2015
Outdoor Cooking
Gas Appliances

ATTACH YOUR RECEIPT HERE

Serial Number _____ Purchase Date _____



Questions, problems, missing parts? Before returning to your retailer, call our customer service department at 1-877-447-4768, 8:30 a.m. – 4:30 p.m., CST, Monday – Friday or e-mail us at customerservice@ghpgroupinc.com.

TABLE OF CONTENTS

Safety Information	3
Package Contents	5
Hardware Contents	6
Preparation	6
Assembly Instructions	7
Operation Instructions	17
Care and Maintenance	22
Troubleshooting	25
Warranty	27
Replacement Parts List	28

Assembler/Installer: This manual contains important information necessary for the proper assembly and safe use of this appliance. Read and follow all warnings and instructions before assembling and using this appliance. **Leave these instructions with the consumer.**

Consumer/User: Follow all warnings and instructions when using this appliance.
Retain these instructions for future reference.

DANGER

If you smell gas:

- 1. Shut off gas to the appliance.**
- 2. Extinguish any open flame.**
- 3. Open lid.**
- 4. If odor continues, keep away from the appliance and immediately call your local fire department.**

WARNING

- 1. Do not store or use gasoline or other flammable liquids or vapors in the vicinity of this or any other appliance.**
- 2. An LP (liquid propane) cylinder not connected for use shall not be stored in the vicinity of this or any other appliance.**
- 3. This grill is for outdoor use only and shall not be used in a building, garage, under overhangs or any other enclosed area.**
- 4. Do not leave a lit grill unattended. Keep children and pets away from the grill at all times.**

SAFETY INFORMATION

Please read and understand this entire manual before attempting to assemble, operate or install the product. If you have any questions regarding the product, please call customer service at: 1-877-447-4768, 8:30 a.m. – 4:30 p.m., CST, Monday – Friday.

DANGER

- Do not use in an explosive atmosphere. Keep grill area clear and free from combustible materials, gasoline and other flammable vapors and liquids.

CALIFORNIA PROPOSITION 65

Fuels used in gas or oil fired appliances and the products of combustion of such fuels contain chemicals, including Benzene, known to the State of California to cause cancer, birth defects or other reproductive harm. This product contains chemicals, including lead and lead compounds, known to the State of California to cause cancer, birth defects or other reproductive harm. ***Wash hands after handling.***

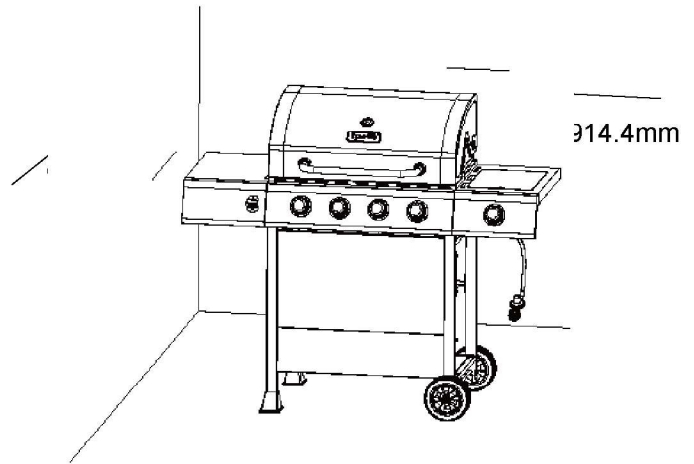
CAUTION

- Never use charcoal or lighter fluid with the grill.
- Do not use gasoline, kerosene or alcohol for lighting.
- The LP gas cylinder used with this appliance must be:
 - (a) Constructed and marked in accordance with the Specifications for LP-Gas Cylinders of the U.S. Department of Transportation (D.O.T.) or the National Standard of Canada, CAN/CSA-B339, Cylinders, Spheres and Tubes for Transportation of Dangerous Goods; and Commission, as applicable; and
 - (b) Provided with a listed overfilling prevention device.
 - (c) Provided with a cylinder connection device compatible with the connector for outdoor cooking appliances. This grill is not intended to be used in or installed on recreational vehicles and/or boats.
- Never keep a filled container in a hot car or car trunk. Heat will cause the gas pressure to increase, which may open the relief valve and allow gas to escape.
- Always open grill lid slowly and carefully as heat and steam trapped within the grill can burn you severely.

! WARNING

- Do not place the grill under overhead combustible construction or awnings. Minimum clearance from sides and back of unit to combustible construction, 36 inches (914.4mm) from sides and back.

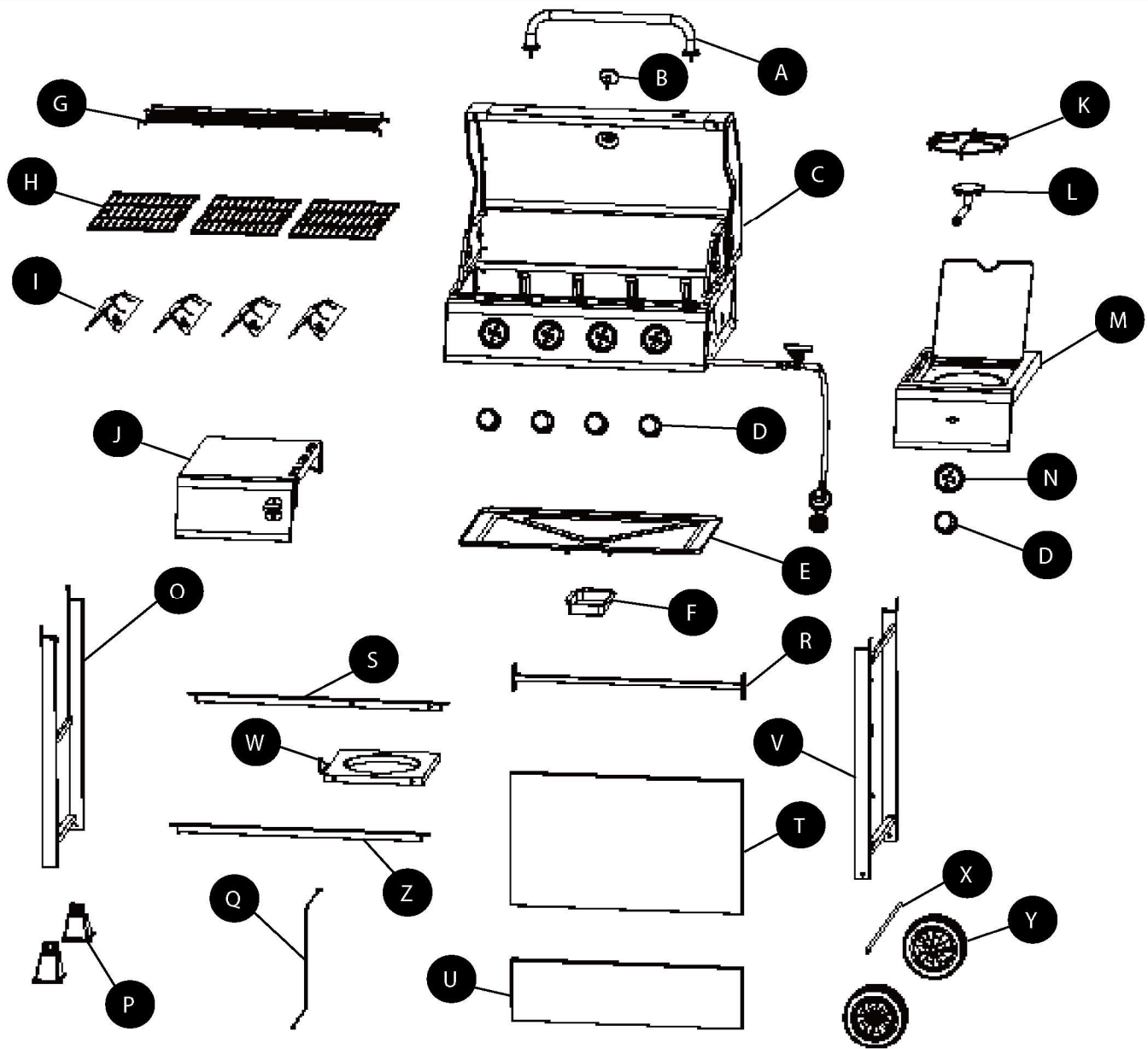
NOTE: The installation must conform with local codes or, in the absence of local codes, with either the National Fuel Gas Code, ANSI Z223.1/NFPA 54, Natural Gas and Propane Installation Code, CSA B149.1, or Propane Storage and Handling Code, B149.2.



! CAUTION

- Do not store or use gasoline or other flammable liquids or vapors in the vicinity of this or any other appliance.
- An LP cylinder not connected for use shall not be stored in the vicinity of this or any other appliance.
- This grill is for use with propane gas only (propane cylinder not included).
- Never attempt to attach this grill to the self-contained propane system of a boat, camper trailer, motor home or house.
- Do not attempt to move the grill while it is lit or when it is hot. The casters should be locked when not moving the grill.
- Do not use the grill unless it is completely assembled and all parts are securely fastened and tightened.
- Keep all combustible items and surfaces at least 36 inches (91.44 cm) away from the grill at all times.
- Do not touch metal parts of grill until it has completely cooled (about 45 minutes) to avoid burns, unless you are wearing protective gear (pot holders, gloves, BBQ mittens, etc...).
- Do not alter this grill in any manner.
- Clean and inspect the hose before each use. If there is evidence of abrasion, wear, cuts, or leaks, the hose must be replaced prior to operating the appliance. The replacement hose assembly will be that which is specified by the manufacturer.
- Move gas hoses as far away as possible from hot surfaces and dripping hot grease.
- Keep the grill's valve compartment, burners and circulating air passages clean. Inspect the grill before each use. Do not obstruct the flow of gas or ventilation air.
- The use of alcohol, prescription or non-prescription drugs may impair the operator's ability to properly assemble or safely operate the grill.
- **Do not leave a lit grill unattended. Keep children and pets away from the grill at all times.**
- Do not place this grill on any type of tabletop surface. The grill should be placed on a flat and level surface.
- Do not use the grill in high winds.



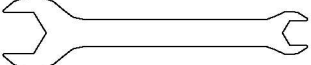

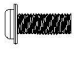


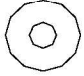

PACKAGE CONTENTS



PART	DESCRIPTION	QUANTITY
A	Hood Handle	1
B	Temp Gauge	1
C	Grill Body Assembly	1
D	Control Knob	5
E	Grease Pan	1
F	Grease Cup	1
G	Warming Rack	1
H	Cooking Grate	3
I	Heat Tent	4
J	Left Side Table Assembly	1
K	Side Burner Rack	1
L	Side Burner	1
M	Right Side Burner Body	1
N	Control Knob Bezel	1

PART	DESCRIPTION	QUANTITY
O	Left Leg Assembly	1
P	Leg End Cap	2
Q	Cylinder Block Bar	1
R	Cart Rear Support	1
S	Bottom Shelf's Rear Bracket Assembly	1
T	Cart Front Panel - Upper	1
U	Cart Front Panel - Lower	1
V	Right Leg Assembly	1
W	Bottom Shelf	1
X	Axle	1
Y	Wheel	2
Z	Bottom Shelf's Front Bracket Assembly	1

HARDWARE CONTENTS

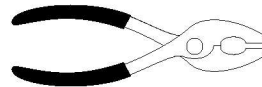
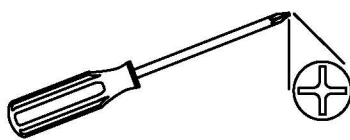
AA	BB	CC	DD	EE	FF
					
ST4.8x10 Screw	M10 Nut	M10-M6 Wrench	M6x16 Bolt	M5x12 Bolt	M6 Wingnut
Qty. 2	Qty. 2	Qty. 2	Qty. 34	Qty. 2	Qty. 2
GG	HH	II			
					
M6 Spring Washer	M6 Washer	M4x10 Bolt			
Qty. 2	Qty. 2	Qty. 2			

PREPARATION

Before beginning assembly of product, make sure all parts are present. Compare parts with package contents list on previous page and hardware contents above. If any part is missing or damaged, do not attempt to assemble the product. Contact customer service for replacement parts.

Estimated Assembly Time: 50 minutes with 2 people.

Tools Required for Assembly and Leak Testing (not included): Phillips screwdriver, Spray bottle, Plier, Adjustable Wrench



⚠ CAUTION



THIS UNIT IS HEAVY. Two people required for safe assembly.

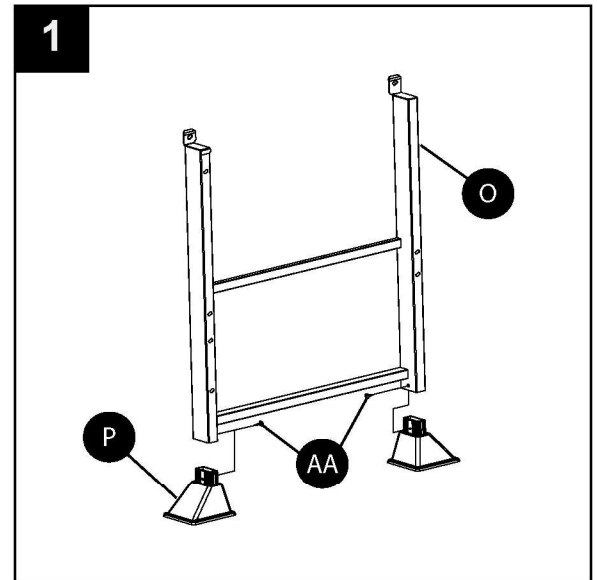
Two people required for safe assembly. Some parts may contain sharp edges. Wear protective gloves if necessary. Read and follow all safety statements, warnings, assembly instructions and use and care instructions before attempting to assemble and use.

ASSEMBLY INSTRUCTIONS

1. Put two leg end caps (P) under left leg assembly (O), and fasten them with two ST4.8X10 screws (AA).




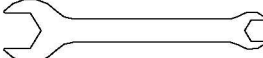
Hardware Used

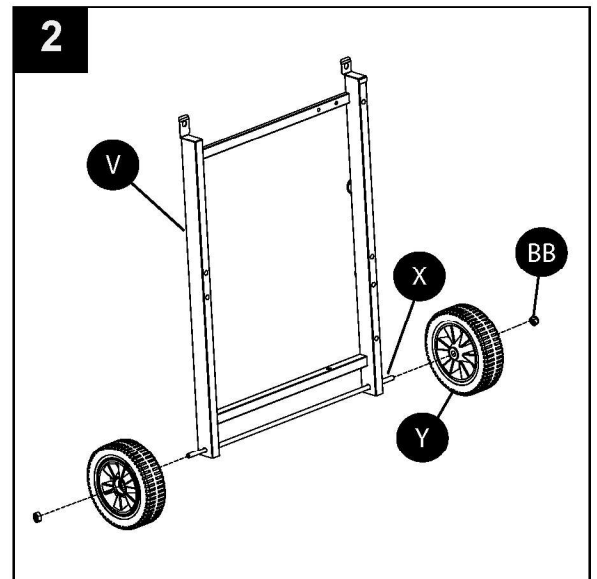
	AA	ST4.8x10 Screw		x 2
---	----	----------------	---	-----



2. Slide the axle (X) through the right leg assembly (V) and then put the wheels (Y) on both sides, and tighten the wheels with M10 nuts (BB) with wrenches (CC). Please note, this step requires two people to complete, and if necessary any other plier or adjustable wrench can be used for assembly.

Hardware Used

	BB	M10 Nut		x 2
	CC	M10-M6 Wrench		x 2

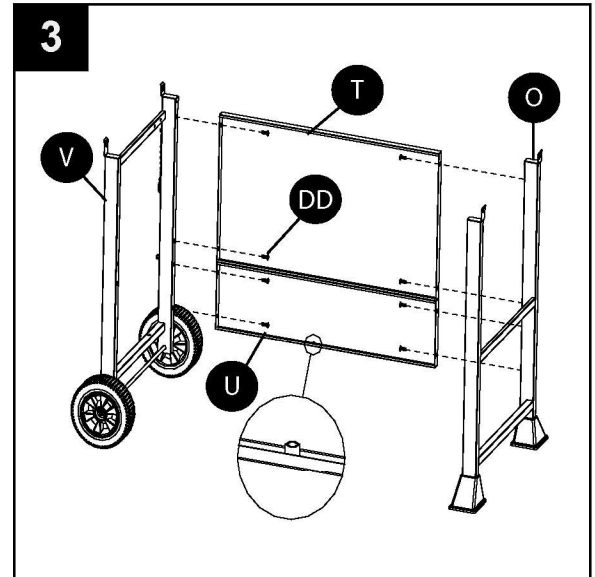


ASSEMBLY INSTRUCTIONS

3. Use eight M6x16 bolts (DD) to assemble cart front panel - upper (T) and cart front panel - lower (U) between left leg assembly (O) and right leg assembly (V). Please note the front panel - lower's (U) direction, the side with rivet nut in the middle should be downward.

Hardware Used

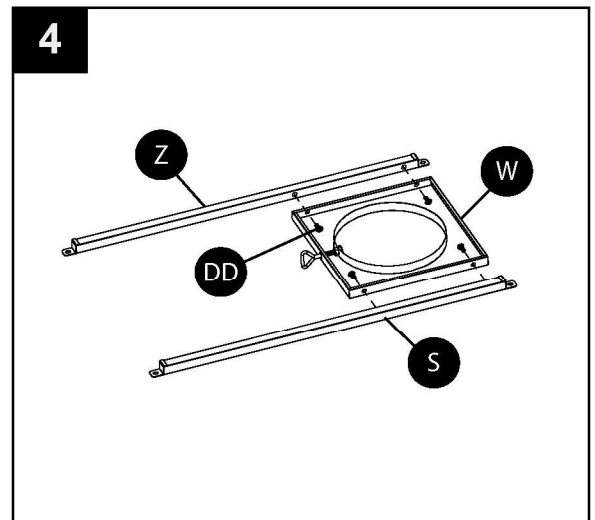
DD M6x16 Bolt  x 8



4. Use four M6X16 bolts (DD) to fasten the bottom shelf's front bracket assembly (Z), bottom shelf's rear bracket assembly (S) and bottom shelf (W).

Hardware Used

DD M6x16 Bolt  x 4

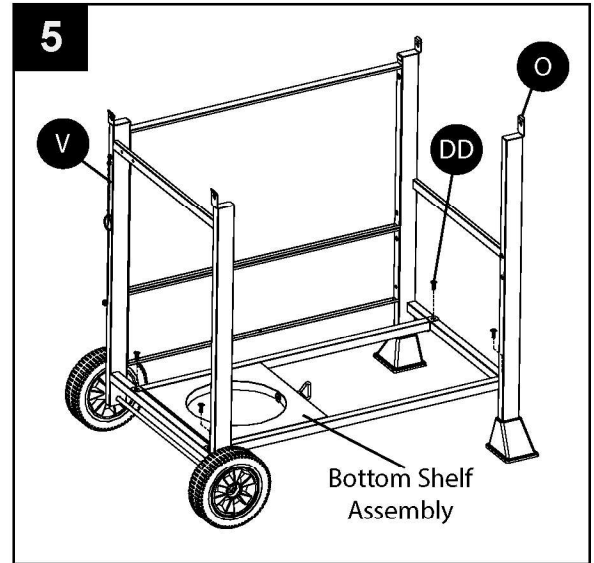


ASSEMBLY INSTRUCTIONS

5. Assemble bottom shelf assembly to the left leg assembly (V) and right leg assembly (V) with four M6X16 bolts (DD).



Hardware Used

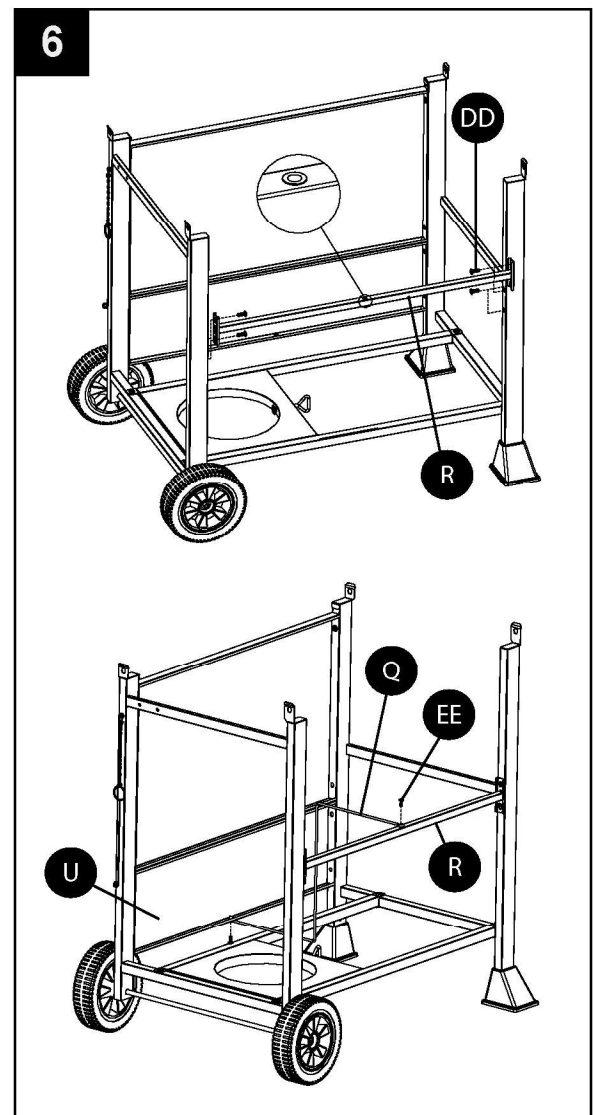
DD	M6x16 Bolt		x 4
-----------	------------	---	-----



6. Use four M6x16 bolts (DD) to fasten the cart rear support (R) to the left and right leg assembly. Please note the cart rear support's (R) direction, the side with the rivet nut in the middle should be upward. Then use two M5x12 bolts (EE) to fasten the cylinder block bar (Q) between the cart front panel - lower (U) and the cart rear support (R).

Hardware Used




DD	M6x16 Bolt		x 4
EE	M5x12 Bolt		x 2

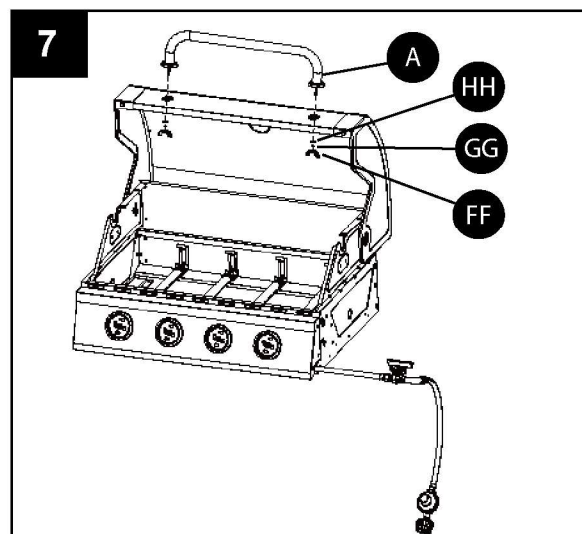


ASSEMBLY INSTRUCTIONS

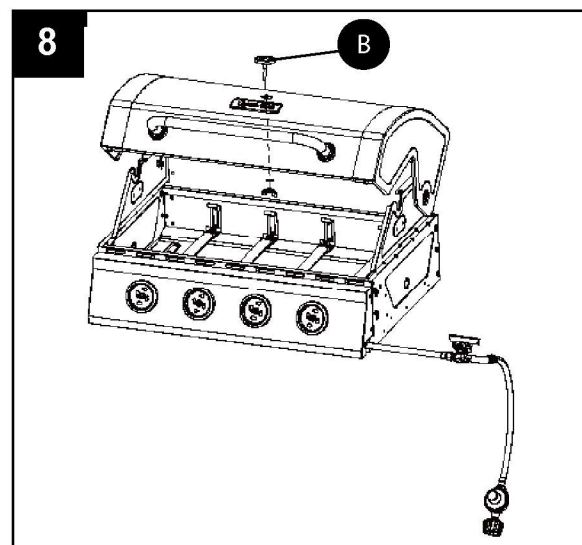
7. Assemble the hood handle (A) to the hood with two M6 wingnuts (FF) and two M6 spring washers (GG) and two M6 washers (HH).

Hardware Used

FF	M6 Wingnut		x 2
GG	M6 Spring Washer		x 2
HH	M6 Washer		x 2



8. Assemble the temp gauge (B) onto the hood. Please use the washer and wing nut pre-assembled with temp gauge to install the temp gauge (B) onto the hood.

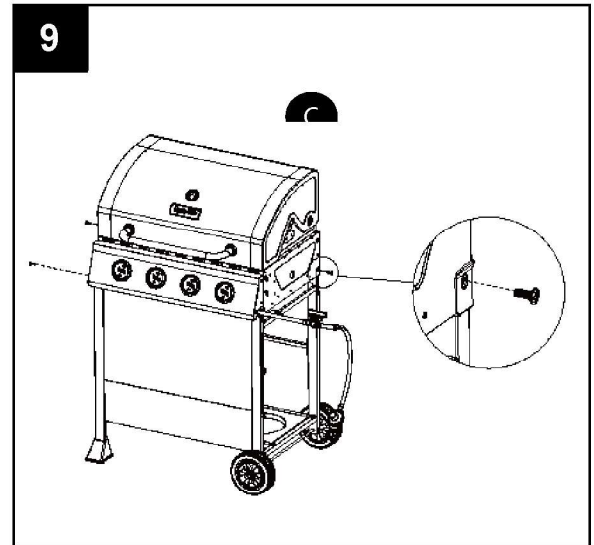


ASSEMBLY INSTRUCTIONS

9. Assemble the grill body assembly (C) onto the cart assembly with four M6x16 bolts (DD).

Hardware Used

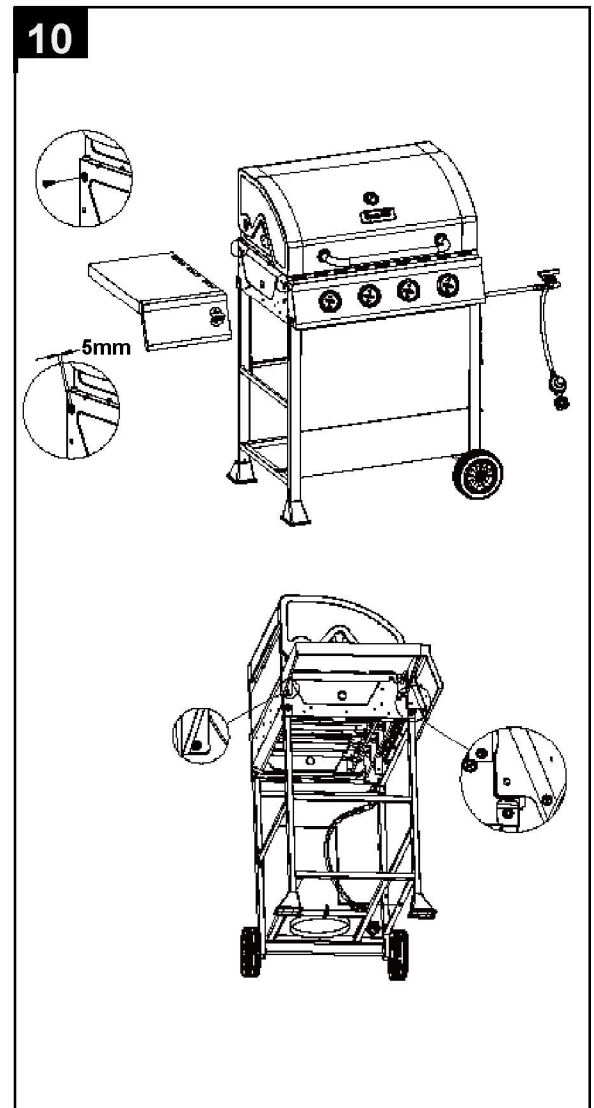
DD M6x16 Bolt  x 4



10. Pre-assemble two M6x16 bolts (DD) onto the grill body assembly (C) and do not tighten them and make sure to leave a 5mm gap between the bolt and grill body's end cap. Then hang the left side table assembly (J) on the bolts and fasten the left side table assembly (J) with three M6x16 bolts (DD) and tighten all bolts.

Hardware Used

DD M6x16 Bolt  x 5

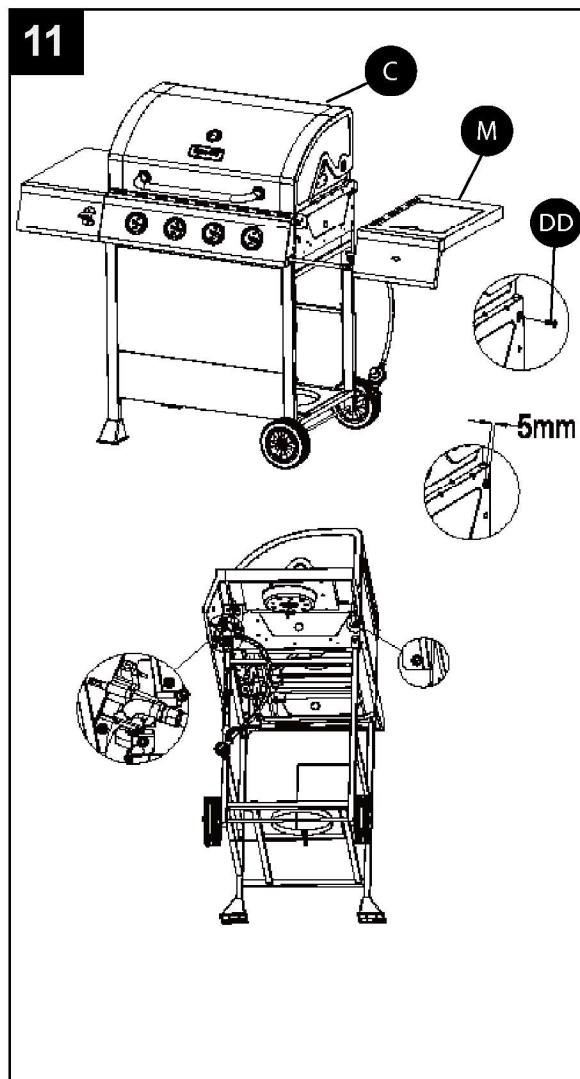


ASSEMBLY INSTRUCTIONS

11. Pre-assemble two M6x16 bolts (DD) onto the grill body assembly (C) and do not tighten them and make sure to leave a 5mm gap between the bolt and grill body's end cap. Then hang the right side burner body (M) on the bolts and fasten the right side burner body (M) with three M6x16 bolts (DD) and tighten all bolts.

Hardware Used

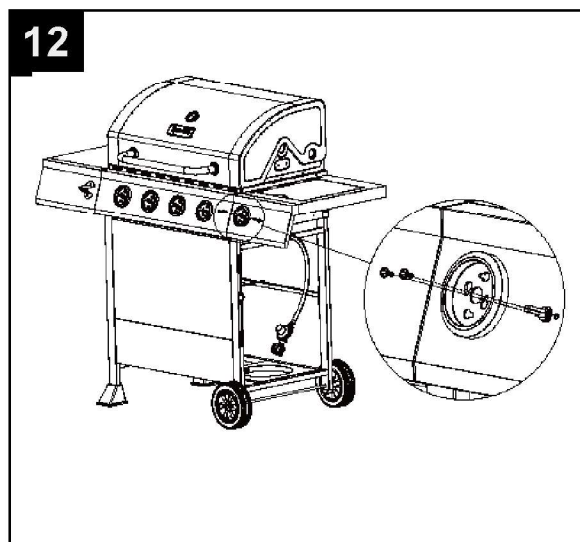
DD M6x16 Bolt  x 5



12. Use two M4x10 bolts (II) to assemble the side burner valve assembly and control knob bezel (N) to the right side burner body (M).

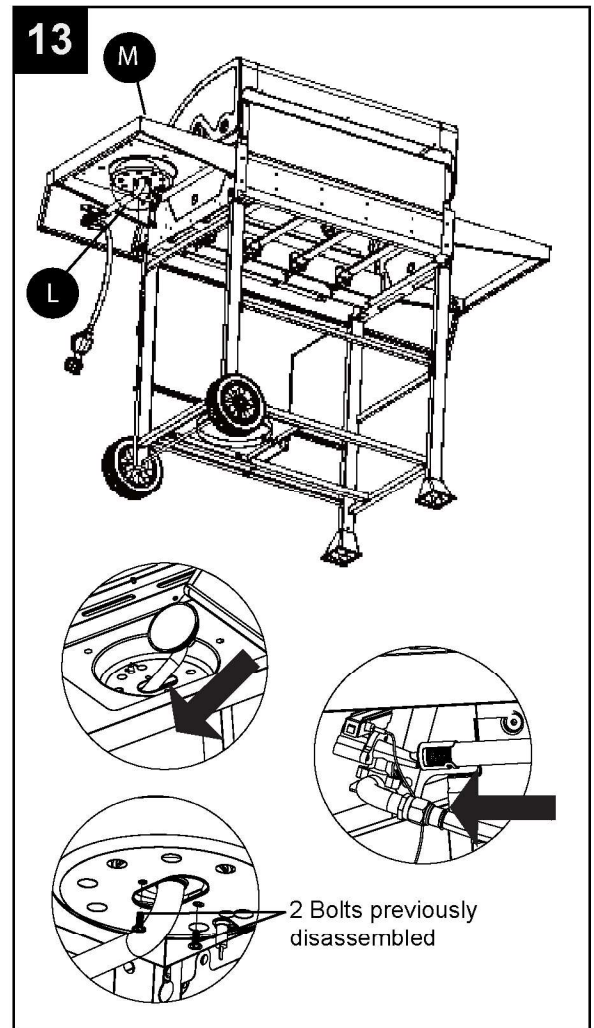
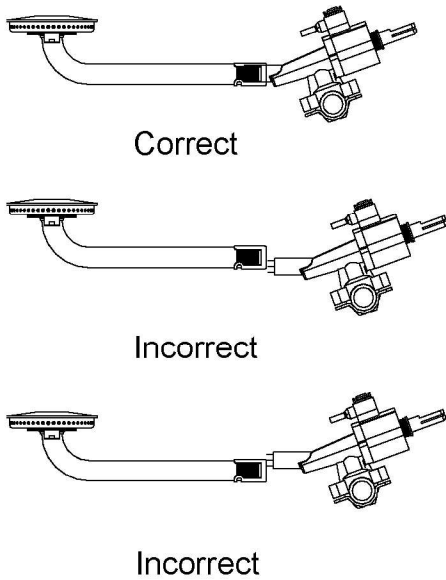
Hardware Used

II M4x10 Bolt  x 2



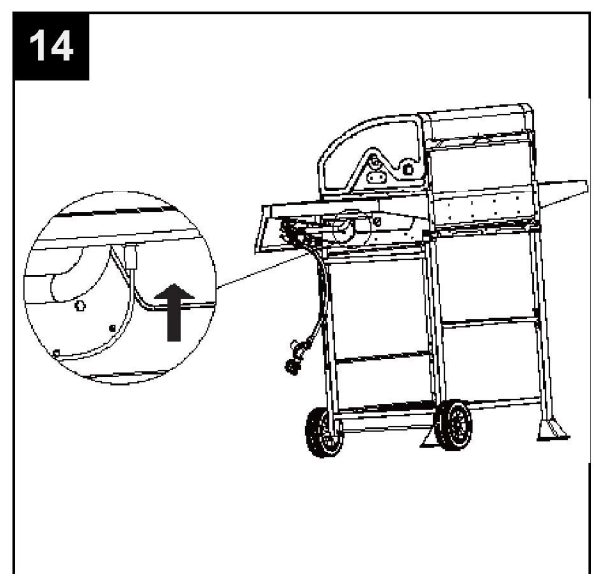
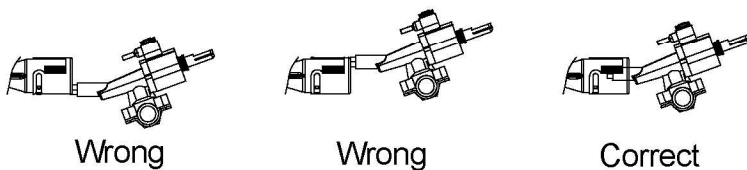
ASSEMBLY INSTRUCTIONS

13. Disassemble two M4x10 bolts that are pre-assembled on the side burner (L) and use them to assemble the side burner (L) on the right side burner body (M). Please ensure the gas valve orifice is correctly positioned inside side burner inlet (venturi).



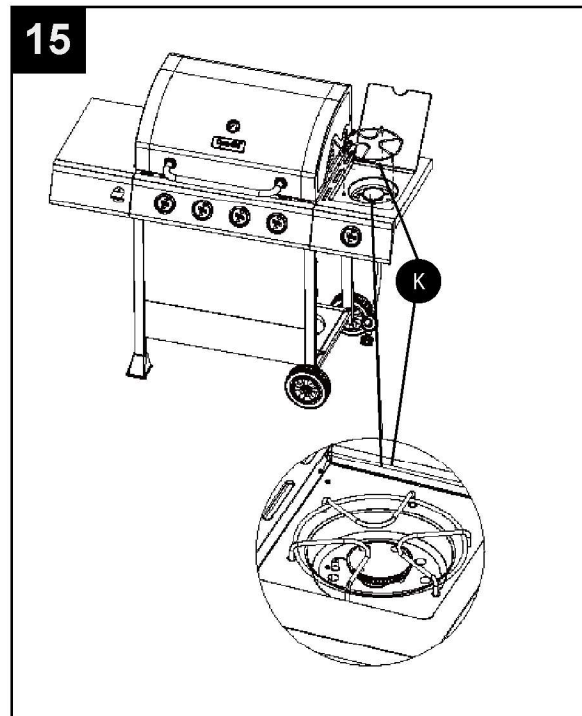
14. Connect the side burner sparker wire to the side burner sparker.

⚠ WARNING: IT IS VERY IMPORTANT TO CHECK AND ENSURE THAT EACH AND EVERY BURNER IS FULLY ENGAGED WITH THE ADJACENT VALVE ORIFICE BEFORE COMPLETING STEP 15. FAILURE TO DO SO MAY RESULT IN FIRE OR EXPLOSION, POSSIBLY CAUSING SERIOUS INJURY OR DEATH. REFER TO MAINTENANCE SECTION INSTRUCTIONS TO PROPERLY CHECK THE ENGAGEMENT.

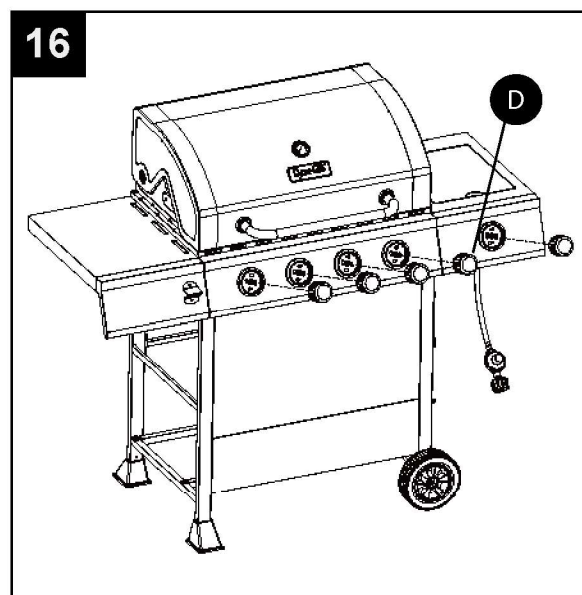


ASSEMBLY INSTRUCTIONS

15. Put the side burner rack (K) in place.

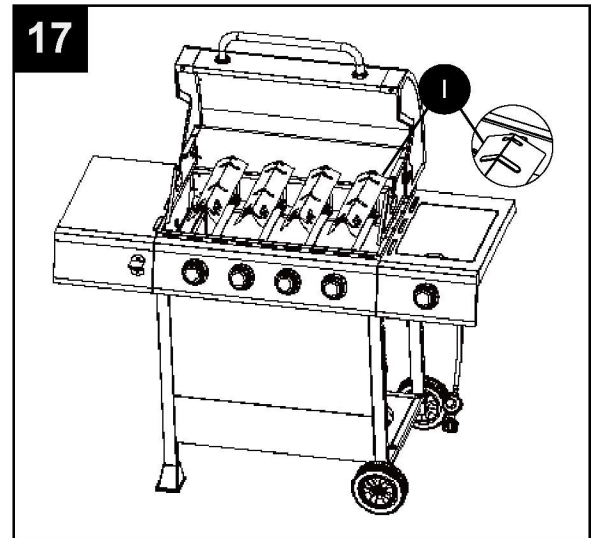


16. Assemble the five control knobs (D).

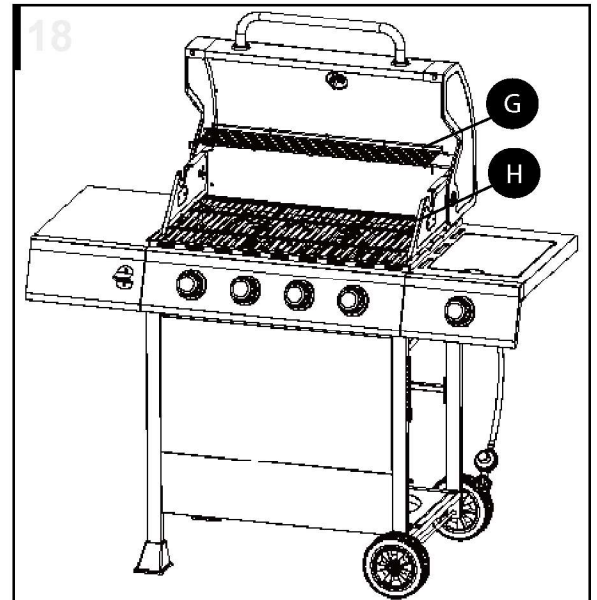


ASSEMBLY INSTRUCTIONS

17. Put the four heat tents (I) into place over each burner.

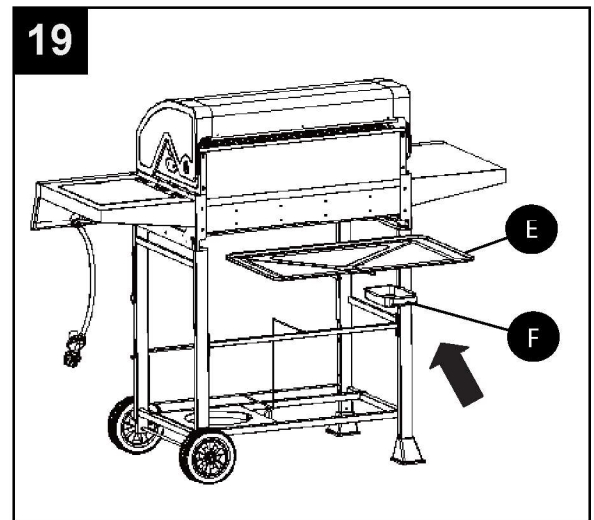


18. Put three cooking grates (H) and one warming rack (G) in place.



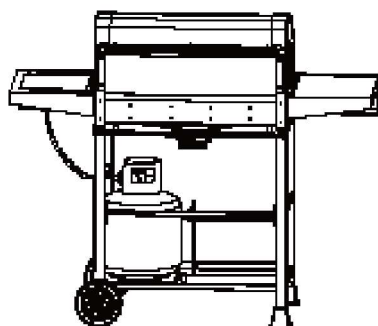
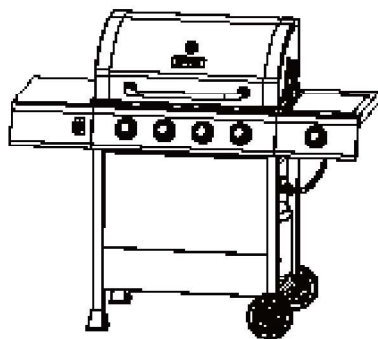
ASSEMBLY INSTRUCTIONS

19. Place grease pan (E) and grease cup (F) in place.

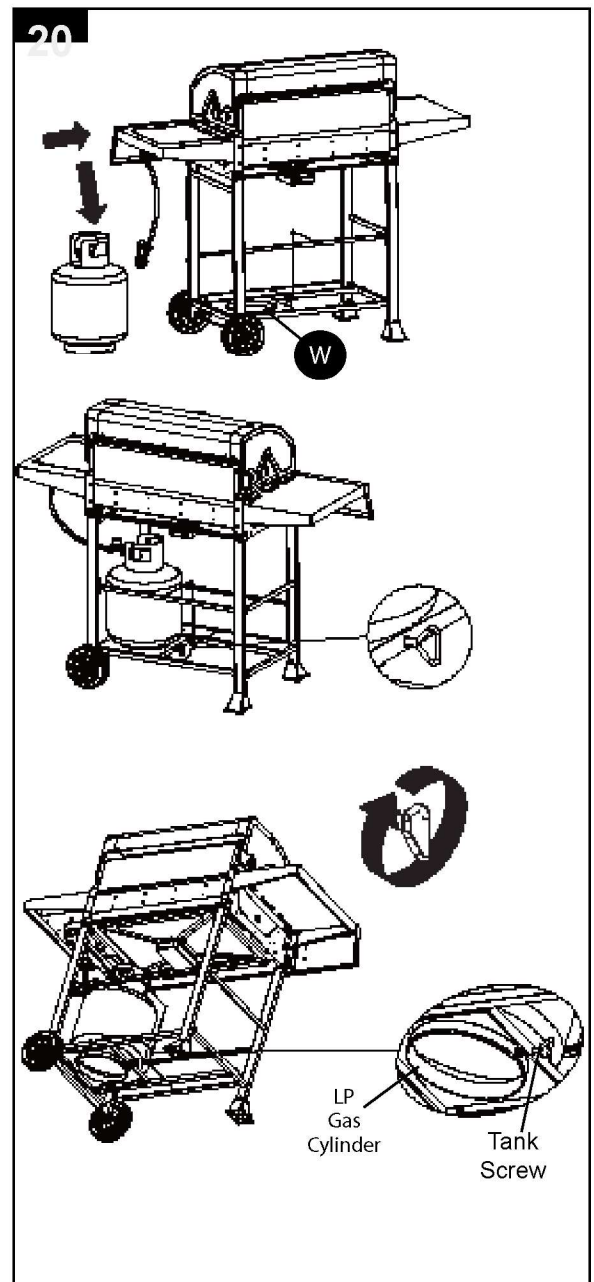


20. Place gas cylinder (sold separately) into the nesting hole located in the Bottom shelf (W). Rotate the gas cylinder until the hose/regulator coupling aligns with the threaded valve of the cylinder. Hand-tighten the hose/regulator coupling to the threaded valve of the LP gas cylinder.

Tighten the tank screw clockwise ↻ in the bottom shelf (W) until the cylinder is secured in place inside the nesting hole of the Bottom shelf (W).



Rear View



OPERATION INSTRUCTIONS

CHECKING FOR LEAKS

After all connections are made, check all connections and fittings on the LP gas tank valve, gas hose and regulator for leaks with a water and soap solution.

To prevent fire or explosion while testing for a leak:

- Always perform leak test prior to lighting the grill.
- Do not smoke while testing for a leak.
- Always perform leak tests outdoors in a well-ventilated area.
- Do not use any source of flame while testing for leaks.
- Do not use the grill until any and all leaks are corrected.
- If you are unable to correct a leak, disconnect the propane supply and call a gas appliance service dealer.

PERFORM LEAK TEST

- Prepare leak test solution by 50/50 ratio of liquid dish soap and water. Total solution required is approximately 2 - 3 ounces (70 - 90 ml). Put leak test solution in a spray bottle.
- Ensure all control knobs are in the O OFF position.
- Connect the gas hose to the gas supply.
- Open the LP gas tank valve.
- Spray leak test solution on all gas carrying connections and fittings. Presence of bubbles at areas of applied test solution indicates a gas leak. If leaks are detected or you smell or hear gas, shut off the gas supply valve immediately and repair or replace the defective part. Do not use the grill until all leaks are corrected.

⚠ CAUTION

Only use the regulator and hose assembly provided! If a replacement is necessary, please call our customer service center. Do not use replacement parts that are not intended for this grill.

⚠ WARNING

ALL INSTRUCTIONS AND SAFEGUARDS ON THIS PAGE MUST BE FOLLOWED TO PREVENT FIRE, DAMAGE AND/OR INJURY.

OPERATION INSTRUCTIONS

CONNECTING GAS CYLINDER

The propane gas supply cylinder to be used must be constructed and marked in accordance with the Specifications for LP Gas Cylinders of the U.S. Department of Transportation (D.O.T.) or the National Standard of Canada, CAN/CSA-B339, Cylinders, Spheres and Tubes for Transportation of Dangerous Goods; and Commission, as applicable; and provided with a listed overfilling prevention device.

Use only 20-pound cylinders (height: 18.11 inches, tank diameter: 9.84 inches, foot diameter: 8.03 inches) equipped with a cylinder connection device compatible with the connection for outdoor cooking appliances.

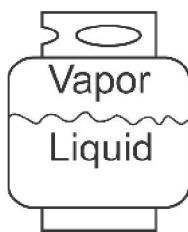
The cylinder must include a collar to protect the cylinder valve. The gas cylinder should not be dropped or handled roughly!

If the appliance is not in use, the gas cylinder must be disconnected. Storage of an appliance indoors is permissible **ONLY** if the cylinder is disconnected and removed from the appliance. Cylinders must be stored outdoors out of the reach of children and must not be stored in a building, garage or any other enclosed area. Your cylinder must never be stored where temperatures can reach over 125°F.

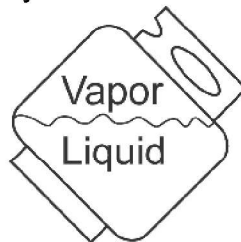
Place dust cap on cylinder valve outlet whenever the cylinder is not in use. Only install the type of dust cap on the cylinder valve outlet that is provided with the cylinder valve. Other types of caps or plugs may result in leakage of propane.

Before connection, be sure that there is no debris caught in the outlet of the gas cylinder, outlet of the regulator valve or in the outlet of the burner and burner ports. Connect regulator valve and hand-tighten firmly. Keep the propane cylinder valve closed and disconnect the propane cylinder from the regulator valve when the grill is not in use.

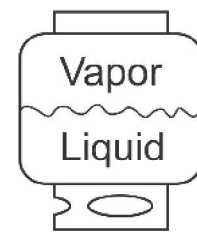
DO NOT obstruct the flow of combustion air and ventilation air to the grill. The propane cylinder must be arranged for vapor withdrawal and equipped with a listed overfilling prevention device. Please use the proper cylinder orientation to provide vapor withdrawal. **NOTE:** The cylinder must be fully upright for the cylinder to have vapor withdrawal only.



Correct



Wrong



Wrong

⚠ CAUTION

- a. Do not store a spare LP-gas cylinder under or near this appliance.
- b. Never fill the cylinder beyond 80 percent full.
- c. If the information in (a) and (b) is not followed exactly, a fire causing death or serious injury may occur.





OPERATION INSTRUCTIONS

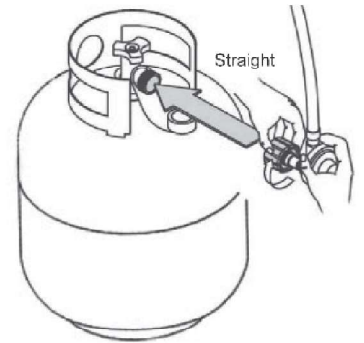
NOTE: Other cylinders may be acceptable for use with this appliance provided they are compatible with the appliance nesting hole and retention means. Refer to Step 20 of the Assembly Instructions for correct cylinder to cylinder holder connection.

⚠ WARNING

ALL INSTRUCTIONS AND SAFEGUARDS ON THIS PAGE MUST BE FOLLOWED TO PREVENT FIRE, DAMAGE AND/OR INJURY.

CONNECTING THE LP TANK

1. The knob on the LP tank must be closed. Make sure that the knob is turned  clockwise to a full stop. The cylinder supply system must be arranged for vapor withdrawal.
 2. Check that the control knob on the control unit is turned off.
 3. Remove the protective cap from the LP tank valve and coupling nut.
 4. Hold the regulator in one hand and insert the nipple into the valve outlet. Be sure the nipple is centered in the valve outlet. The coupling nut connects to the large outside threads on the valve outlet. Use care – do not cross thread the connection.
 5. Hand-tighten the coupling nut  clockwise until it comes to a full stop. Firmly tighten by hand only. Do not use tools.
- To Disconnect:** Fully close the tank valve by turning  clockwise. Turn the coupling nut  counterclockwise until the regulator assembly detaches.



⚠ WARNING

In the connection process, make sure:

- the regulator inlet connector mates with the cylinder valve outlet properly, safely and firmly, and;
- the LP gas hose does not come in contact or remain in contact with the firebox.

OPERATION INSTRUCTIONS

Lighting The Grill

Before first use:



Remove all hangings or plastic straps, if present. Before you cook on your new gas grill, it is important to clean your grill with heat. To do this, operate the grill for approximately 15 minutes with the lid closed and the control knob in the highest position. This will clean the internal parts by burning off any residue and odor from the manufacturing process.

⚠ CAUTION

If the flame extinguishes accidentally during ignition or operation, immediately **TURN OFF** the cylinder valve and then **TURN OFF** the control knob.

⚠ WARNING

Do not lean over grill when lighting. Read instructions before lighting.

1. Check that the control knobs are in the O OFF position.
2. Open valve at tank fully by turning  counterclockwise.
3. Open lid during lighting.
4. Depress and turn control knob counterclockwise  from off position, past the ⚡ ignite position, to the 🔥 high position. You may need to repeat several times to ignite the burner.
If ignition does not occur in 5 seconds, turn the control(s) off, O wait 5 minutes, and repeat the lighting procedure.

If the burner still does not light, check that there is gas in the cylinder and follow the match lighting instructions. Check the Troubleshooting Guide on page 25 for more information.

OPERATION INSTRUCTIONS

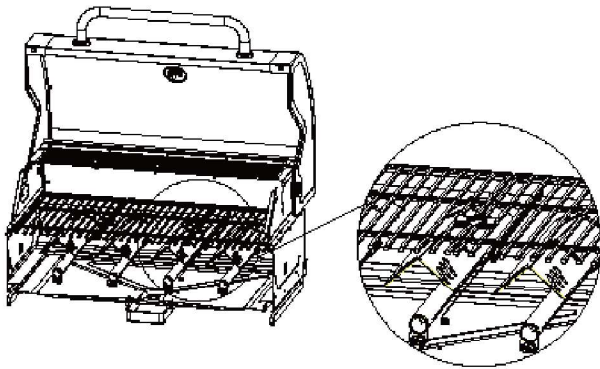
LIGHTING THE GRILL WITH A MATCH

1. Open the lid.
2. Insert a match in the end of the match holder that is installed on the right leg assembly.
3. Light the match.
4. Immediately place the lit match through the spaces in the grill gates near the ports of the burner between the heat tents as shown. Make sure the lit match is close to the burner ports.
5. Press in the control knob that operates the burner and rotate ↺ counter-clockwise to 🔥 High position and burner should light immediately.
6. Repeat 2~5 steps to lighting the remaining burners.
7. Adjust burners to desired cooking settings.

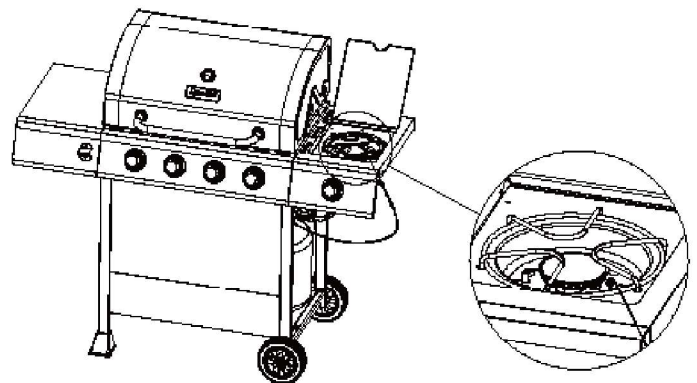
⚠ CAUTION

Make sure all burners controls are off except for the burner being lit and the burners that have been lit.

Main Burner Match Lighting



Side Burner Match Lighting



SHUTDOWN INSTRUCTIONS

1. Turn control knobs ↻ clockwise to the O OFF position.
2. Close valve at tank fully by turning ↻ clockwise.
3. Close lid.

Turn off LP supply at cylinder when appliance is not in use.

CARE AND MAINTENANCE

Cooking Grates

The best time to 'burn-off' the cooking grates is after every use (approx. 15 minutes). The grill is already hot from cooking thus requiring less fuel to obtain necessary temperature for 'burn-off'.

To 'burn off' or heat clean your grill, turn the burners to highest position and run for 15 minutes with the lid closed. Then turn off the burners and use a wire brush to clean excess food residue from the grates.

The porcelain grates have an enamel finish (similar to glass) and should be handled with care not to chip.

⚠ CAUTION

Ensure the grill is cool before cleaning and conducting maintenance and with the gas supply turned off at the LP-Gas Cylinder.

Recommended Cleaning Supplies

Mild liquid dish soap, warm water, nylon cleaning pad, wire brush

DO NOT use cleaners that contain acid, mineral spirits or any abrasive substance.

Outside Surfaces

It is recommended to use only mild dish soap and hot water to clean grill and grill parts.

Rinse with warm water.

Inside Bottom Pan of Grill Body

To avoid flare-ups, the bottom pan of the cooking box should be kept clean on a regular basis.

Remove residue using a brush, scraper and/or cleaning pad. Wash with mild dish soap and warm water. Rinse with warm water. Avoid water splashing into venturi tubes of burners.

Heat Tents

Clean residue with wire brush and wash with mild dish soap and warm water. Rinse with warm water.

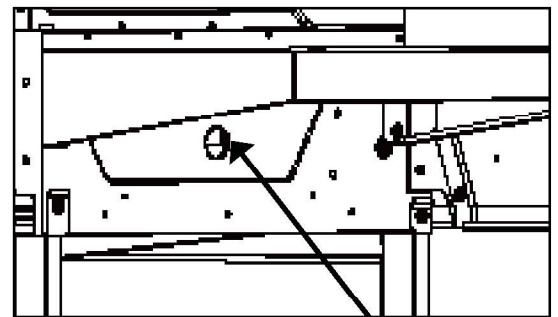
Grease Cup

Empty the grease cup and clean with mild dish soap and warm water on a regular basis.

Checking The Flame

For maximum fuel efficiency and cooking performance, flame should be a blue-yellow color and be between 1- 2 inches high.

To check the flame, view the flame through the holes in both sides of the firebox.



Hole for viewing the flame



CARE AND MAINTENANCE

Burner Assembly

Removing The Burner Assembly

1. Make sure all control knobs are in the OFF position, gas supply valve is closed, and the gas hose is disconnected from the gas supply.
2. Open lid and remove warming rack, cooking grates, heat tents, clip for burner, ignition chain and main burner.
3. Remove hinge pin as illustrated in Figure 1.
4. Slide main burners out of firebox.
5. Detach ignition wire from electrode in Figure 2.

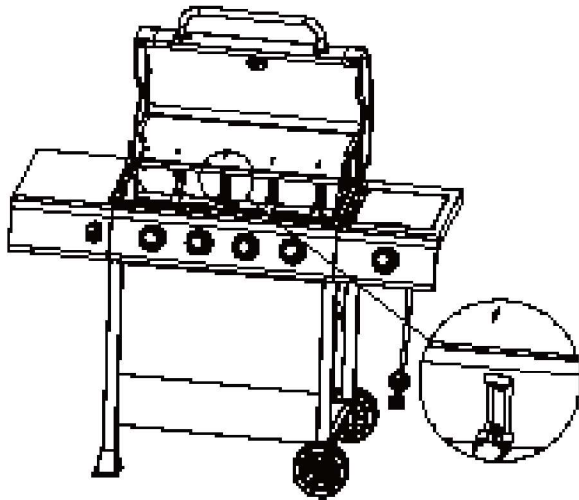
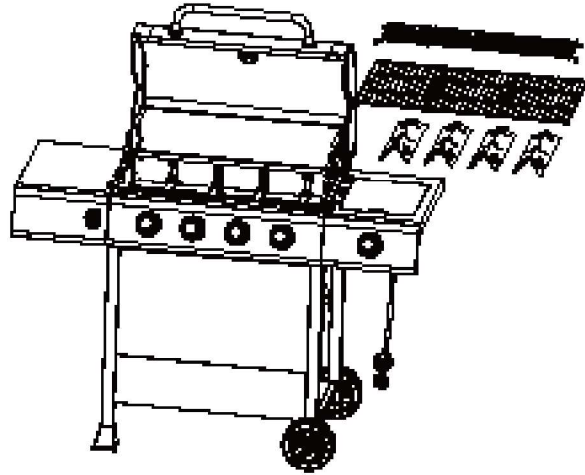


Figure 1

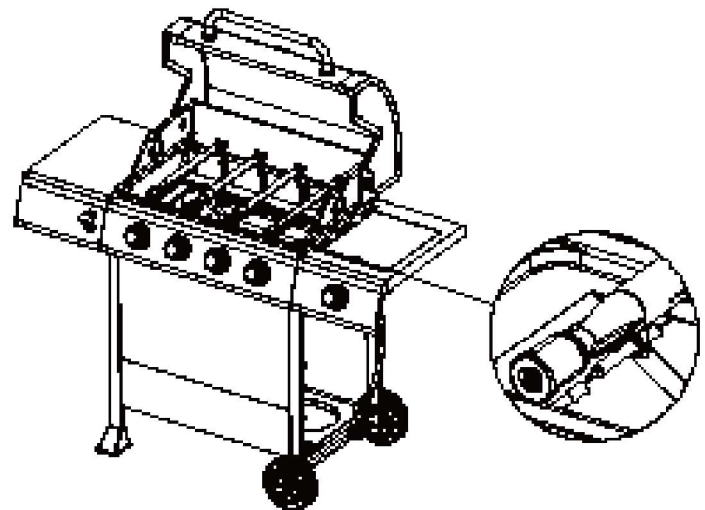


Figure 2

CARE AND MAINTENANCE

Cleaning the Burner Assembly

– Make sure the grill is cool

1. Turn gas off at the control knobs and LP gas cylinder.
2. Disconnect LP gas cylinder from regulator and hose.
3. Remove warming rack, cooking grates and heat tents.
4. Detach burner by removing the cotter pins at the back of the burners to detach them from the brackets.
5. Detach ignition wire from electrode by hand only. DO NOT use pliers or any other tool as it may damage the electrode or wire.
6. Lift burner slowly.
7. Ensure all burner ports are clear of clogs. Use of a pin or paper clip works well.
8. Ensure burner is free of any damage. If damage is found, replace with new burner.
9. Ensure the end of the burner and primary air screen are clear from insect nests, dirt or debris.

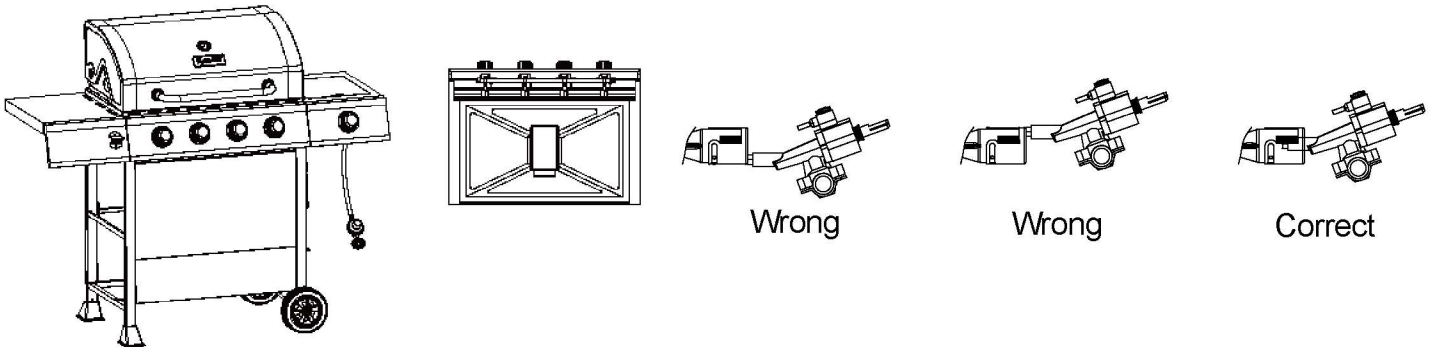
Re-installing the Burner

Ensure that gas valve orifices are correctly positioned inside burner inlet (venturi).

The use of a flashlight may be necessary to ensure the correct position.

It is recommended to view the correct position through the firebox vent holes as illustrated below.

Reattach each burner with the hinge pin and reattach the ignition wire to electrode.



View the correct position
from the bottom of the firebox

⚠ WARNING

If the instructions above are not followed, a fire or explosion may result, possibly causing serious bodily injury or death.

Other Care and Maintenance

It is recommended that inspection and service on this appliance be conducted annually by a qualified service person.

It is recommended that you always check that the outdoor cooking appliance area is clear and free from combustible material, gasoline and other flammable vapors and liquids before lighting.

It is recommended that you regularly check that the flow of combustion and ventilation air is not obstructed.

It is recommended that you regularly check that the ventilation openings of the grill cabinet are free and clear from debris.

It is recommended that you regularly check and clean the burner/venturi tubes for insects and insect nests. A clogged tube can lead to a fire beneath the grill.

TROUBLESHOOTING

If you have any questions regarding the product, please call customer service at 1-877-447-4768, 8:30 a.m. – 4:30 p.m., CST, Monday – Friday.

PROBLEM	POSSIBLE CAUSE	CORRECTIVE ACTION
The burner will not light using the ignitor procedure (weak or no spark being generated).	<ol style="list-style-type: none"> 1. The igniter electrode may be covered with grease or residue. 2. The igniter electrode may have a loose or disconnected wire. 3. Cracked or broken ignition electrode. 	<ol style="list-style-type: none"> 1. Clean the ignitor electrode. 2. Check the connection and reconnect any loose or disconnected wires. 3. Replace ignition electrode (see Replacement Parts List).
Low Heat.	<ol style="list-style-type: none"> 1. Insufficient gas pressure to the unit. 	<ol style="list-style-type: none"> 1. Call a qualified service agency to check the gas supply pressure and correct the pressure.
Excessive Flare Ups.	<ol style="list-style-type: none"> 1. Grease and/or residue build-up on heat tents or in firebox. 2. Excessive dripping of fat or marinade from food. 3. Cooking temperature too high. 	<ol style="list-style-type: none"> 1. Clean the grill components. 2. Trim the fat from meat and use non-oil based marinades. 3. Lower temperature accordingly.

TROUBLESHOOTING

PROBLEM	POSSIBLE CAUSE	CORRECTIVE ACTION
<p>The burner will not light with a match.</p>	<ol style="list-style-type: none"> 1. Match not reaching burners (when holding match with hand). 2. Empty tank. 3. Poor connection between valve regulator and LP cylinder coupling. 4. Burner inlet blocked. 	<ol style="list-style-type: none"> 1. Use match holder found in cabinet door. 2. Check fuel level and refill tank if necessary. 3. Turn off grill knobs, close the LP cylinder valve at top of cylinder and check the connection between the regulator valve and cylinder coupling. Disconnect and reconnect, if necessary. 4. Clean the burner inlet (venturi) and burner as described by the Care and Maintenance section in the manual.
<p>No gas flow or an obstructed gas flow.</p>	<ol style="list-style-type: none"> 1. Tank valve not on or fully opened. 2. Empty tank. 3. Poor connection between valve regulator and LP cylinder coupling. 4. Burner inlet blocked. 	<ol style="list-style-type: none"> 1. Fully open tank valve by turning counterclockwise. 2. Check fuel level and replace fuel if necessary. 3. Turn off grill knobs, close the LP cylinder valve at top of cylinder and check the connection between the regulator valve and cylinder coupling. Disconnect and reconnect, if necessary. 4. Clean the burner inlet (venturi) and burner as described by the Care and Maintenance section in the manual.

LIMITED WARRANTY

1-Year Limited Warranty

This LP gas grill is warranted for 1 year (5 years on the Stainless Steel burners) against broken or damaged parts at the time of purchase. It is warranted to be free of defects. Paint is warranted to be free of defects except for rust, which may appear after repeated use.

This warranty does not cover damage or issues related to neglect, abuse, or modifications to the appliance. Repair labor is not covered.

All parts that meet the warranty requirements will be shipped at no charge via the discretion of the manufacturer (ground shipments, US Mail, or Parcel Post ONLY). Any special handling charges (i.e. Second Day, overnight, etc.) will be the responsibility of the consumer.

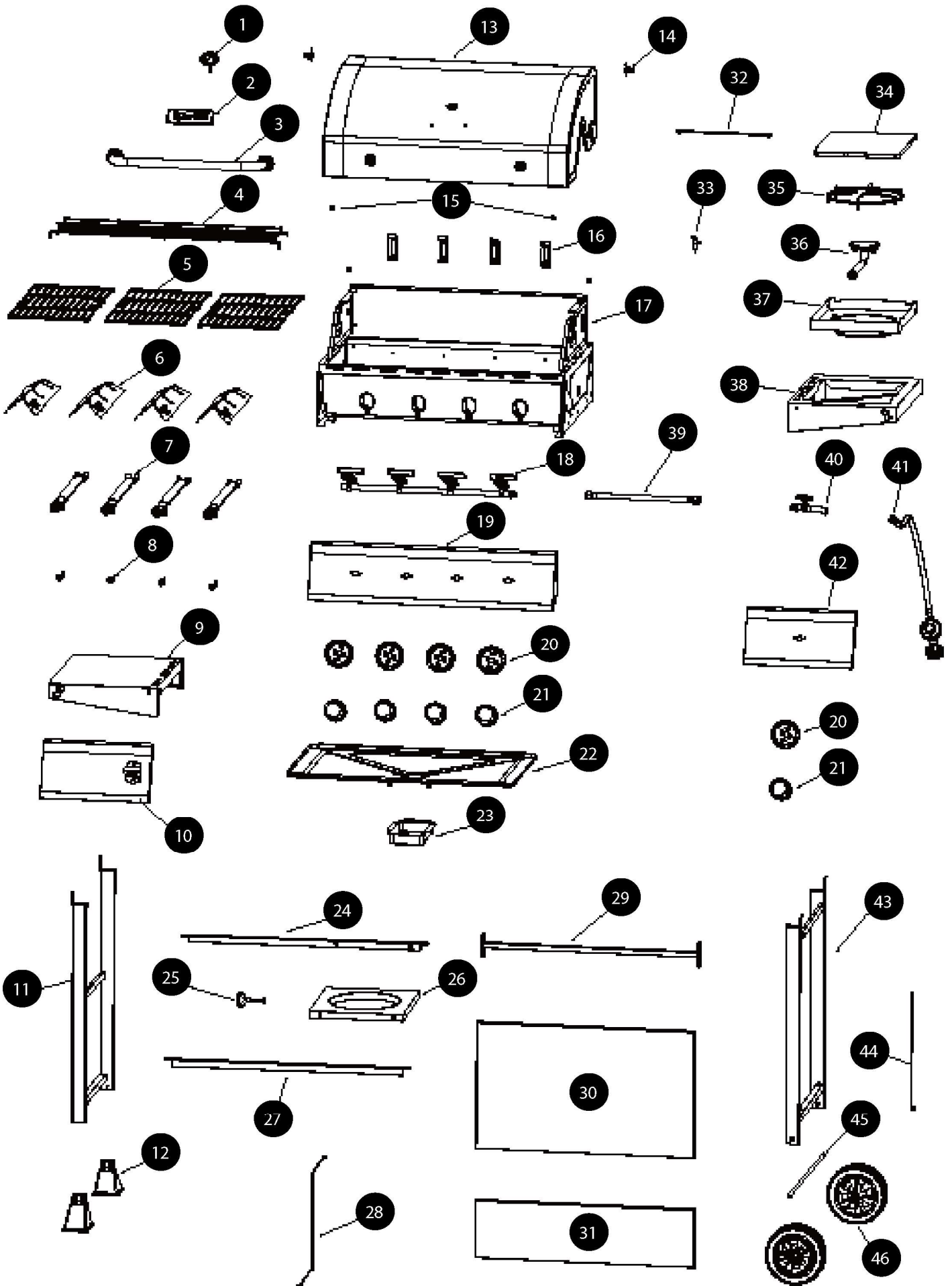
All warranty claims apply only to the original purchaser and require a proof of purchase verifying purchase date. Do not return parts without first obtaining a return authorization number from our customer service. This service is available by calling toll free 1-877-447-4768, 8:30 a.m. – 4:30 p.m., CST, Monday – Friday.

NOTICE: Some states do not allow the exclusion or limitation of incidental or consequential damages or limitations on how long an implied warranty lasts, so the above limitations or exclusions may not apply to you. This warranty gives you specific legal rights and you may also have other legal rights which may vary from state to state.

GHP Group Inc.
6440 W. Howard Street
Niles, IL, USA
60714-3302

Item Name: 4-Burner LP Gas Grill With Side Burner
Model #: DGB494SPB/DGB495SDP/DGB495SDP-D
Main Burner Total rated BTU: 48,000 BTU/Hr
Side Burner rated BTU: 12,000 BTU/Hr

REPLACEMENT PARTS LIST



REPLACEMENT PARTS LIST

For replacement parts, call our customer service department at 1-877-447-4768, 8:30 a.m. – 4:30 p.m., CST, Monday – Friday.

PART	DESCRIPTION	PART #
1	Temp gauge assembly	70- 01- 386
2	Badge	104-22006
3	Hood handle	70 - 01 -173
4	Warming rack	70 - 01 -272
5	Cooking grate	70 - 01 -273
6	Heat tent	70 - 01 -179
7	Main burner with clip	70 - 01 -282
8	Main burner sparker	70 - 01 -283
9	Left side table assembly	70 - 01 - 300
10	Left side table front panel with bottle opener	70 - 01 -189
11	Left leg assembly	70 - 01 - 274
12	Leg end cap	70 - 01 - 275
13	Hood assembly (with inner plate)	70- 01- 387
14	Hood hinge (with nut, washer and clip)	70 - 01 -285
15	Lid bumper	70 - 01 - 176
16	Main burner and heat tent support	70 - 01 -181
17	Firebox assembly - with heat shield	70 - 01 -277
18	Main valves and manifold assembly	70 – 01- 388
19	Control panel assembly	70 – 01- 389
20	Control knob bezel	70 – 01 - 390
21	Control knob	70 – 01 - 391
22	Grease pan	70 - 01 - 279
23	Grease cup	70 - 01 - 187
24	Bottom shelf's rear bracket assembly	70 - 01 -286
25	Tank attachment screw	70 - 01 - 317
26	Bottom Shelf	70 - 01 - 291
27	Bottom shelf's front bracket assembly	70 - 01 - 318
28	Cylinder block bar	70 - 01 - 288
29	Cart rear support	70 - 01 - 287
30	Cart front panel - upper	70 - 01 - 289
31	Cart front panel - lower	70 - 01 - 290
32	Side burner lid rod	70 - 01 - 265
33	Side burner sparker	70 - 01 - 269
34	Side burner lid	70 - 01 - 264
35	Side burner rack	70 - 01 - 266
36	Side burner valve	70 - 01 - 267
37	Side burner pan	70 - 01 - 268
38	Right side burner body assembly	70 - 01 -314
39	Corrugated hose	70 - 01 - 194
40	Side burner valve	70 – 01 - 392
41	Regulator and hose assembly	70 - 02 - 107
42	Right side table front panel	70 – 01 - 393
43	Right leg assembly	70 – 01 - 394
44	Match holder with chain	70 - 01 - 204
45	Axle	70 - 05 - 103
46	Wheel	70 - 05 - 104

REPLACEMENT PARTS LIST

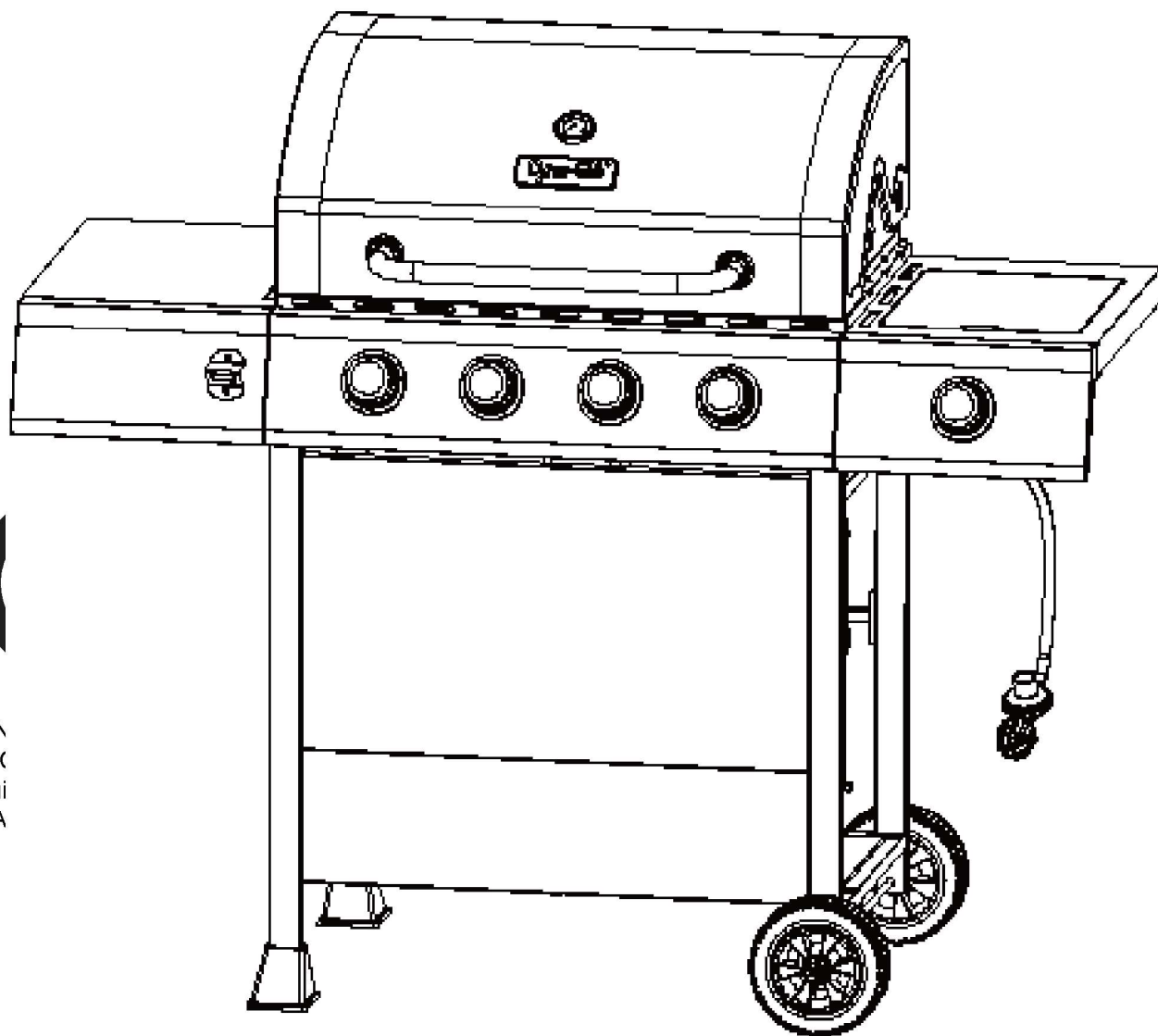
For replacement parts, call our customer service department at 1-877-447-4768, 8:30 a.m. – 4:30 p.m., CST, Monday – Friday.

PART		DESCRIPTION	PART #
n/a		Hardware pack	70-09-502
n/a		Instruction manual	70-10-563

Dyna-Glo®

GRIL À 4 BRÛLEURS AVEC BRÛLEUR LATÉRAL À UTILISER AVEC DU PROPANE LIQUIDE

Modèle #DGB494SPB/DGB495SDP/DGB495SDP-D



C
AN
(
Cui
A

JOIGNEZ VOTRE REÇU ICI

Numéro de série _____ Date d'achat _____



Des questions, des problèmes, des pièces manquantes? Avant de retourner l'article au détaillant, appelez notre service à la clientèle au 1-877-447-4768, 08:30-16 heures 30, HNC, du lundi - vendredi ou par e-mail à customerservice@ghpgroupinc.com.

TABLE DES MATIÈRES

Consignes de sécurité	33
Contenu de l'emballage	35
Quincaillerie incluse	36
Préparation	36
Instructions pour l'assemblage	37
Mode d'emploi	47
Entretien	52
Dépannage	55
Garantie	57
Liste des pièces de rechange	58

Assembleur ou installateur : Le présent manuel contient des renseignements importants qui permettent d'assembler l'appareil de façon adéquate et de l'utiliser en toute sécurité. Avant d'assembler et d'utiliser cet appareil, lisez et suivez tous les avertissements ainsi que toutes les instructions. **Remettez ces instructions au consommateur.**

Consommateur ou utilisateur : Lorsque vous utilisez cet appareil, suivez tous les avertissements et toutes les instructions. **Veillez conserver les présentes instructions aux fins de consultation ultérieure.**

DANGER :

S'il y a une odeur de gaz:

- 1. Coupez l'admission de gaz de l'appareil.**
- 2. Éteindre toute flamme nue.**
- 3. Ouvrir le couvercle.**
- 4. Si l'odeur persiste, éloignez-vous de l'appareil et appelez immédiatement le fournisseur de gaz ou le service d'incendie.**

AVERTISSEMENT :

- 1. Ne pas entreposer ni utiliser de l'essence ni d'autres vapeurs ou liquides inflammables dans le voisinage de l'appareil, ni de tout autre appareil.**
- 2. Une bouteille de propane qui n'est pas raccordée en vue de son utilisation, ne doit pas être entreposée dans le voisinage de cet appareil ou de tout autre appareil.**
- 3. Ce barbecue est conçu pour usage à l'extérieur seulement. Ne pas utiliser ni entreposer la bouteille dans un bâtiment, un garage, un auvent ou un endroit fermé.**
- 4. Ne laissez pas un barbecue allumé sans surveillance. Gardez le barbecue hors de la portée des enfants et des animaux en tout temps.**

CONSIGNES DE SÉCURITÉ

Assurez-vous de lire et de comprendre l'intégralité de ce manuel avant de tenter d'assembler, d'utiliser ou d'installer le produit. Si vous avez des questions concernant ce produit, veuillez téléphoner au service à la clientèle au 1-877-447-4768, 08:30-16 heures 30, HNC, du lundi - vendredi.

DANGER

N'utilisez pas le barbecue dans un endroit présentant un risque d'explosion. Assurez-vous que l'espace autour du barbecue est propre et exempt de matériaux combustibles, d'essence et d'autres vapeurs ou liquides inflammables.

PROPOSITION 65 DE LA CALIFORNIE

Les combustibles utilisés dans les appareils de chauffage au gaz ou à l'huile, et les produits de combustion contiennent des produits chimiques reconnus par l'État de la Californie comme étant la cause de cancers et d'anomalies congénitales et d'autres problèmes liés aux fonctions reproductrices. Cet appareil contient des produits chimiques, notamment du plomb et des composés de plomb, reconnus par l'État de la Californie comme étant la cause de cancers, d'anomalies congénitales et d'autres problèmes liés aux fonctions reproductrices. **Lavez-vous les mains après l'avoir manipulé.**

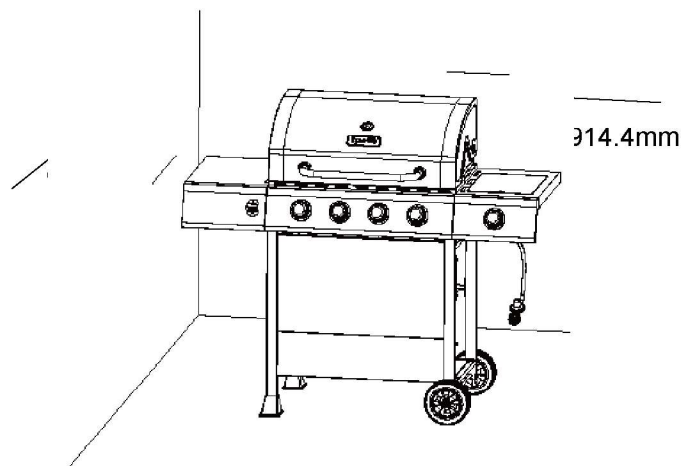
MISE EN GARDE

- N'utilisez jamais de gaz d'allumage pour charbon de bois ou d'essence à briquet avec ce barbecue.
- N'utilisez pas d'essence, de kérosène ni d'alcool pour l'allumage.
- Ce barbecue n'est pas destiné à être utilisé ou installé sur un véhicule récréatif ou un bateau.
- Ouvrez toujours le couvercle du barbecue lentement et avec précaution, car la chaleur et la vapeur emprisonnées qui s'en échappent peuvent causer des brûlures graves.
- N'essayez jamais de faire fonctionner ce barbecue avec du propane.
- Demandez toujours à un service d'entretien autorisé d'installer toute la tuyauterie d'alimentation en gaz nécessaire, la vanne d'arrêt manuel et les raccords à branchement rapide.

! AVERTISSEMENT

- Ne pas utiliser cet appareil sous une surface combustible ou un auvent. Dégagement minimal entre les parois latérales et l'arrière de l'appareil et la construction combustible (914,4 mm (36 po) à partir des parois latérales et 914,4 mm (36 po) à partir de l'arrière).

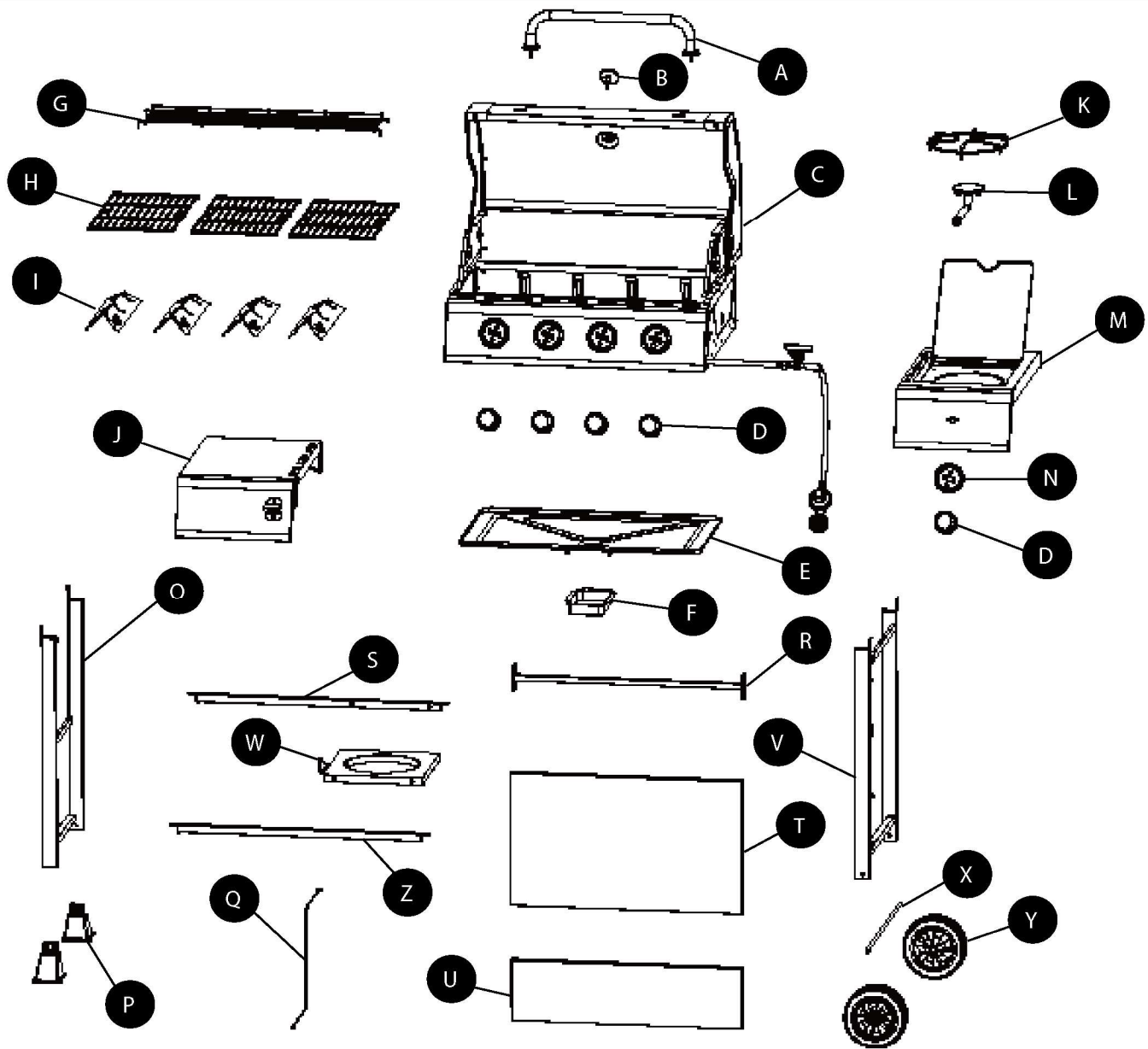
REMARQUE : L'installation doit être effectuée conformément à la réglementation locale ou, en l'absence d'une telle réglementation, au National Fuel Gas Code, ANSI Z223.1/NFPA 54, Natural Gas and Propane Installation Code, CSA B149.1, ou au Propane Storage and Handling Code, B149.2.



! MISE EN GARDE

- Ne pas entreposer ni utiliser de l'essence ni d'autres vapeurs ou liquides inflammables dans le voisinage de l'appareil, ni de tout autre appareil. Ne rangez aucun produit inflammable dans le chariot du barbecue.
- Une bouteille de propane qui n'est pas raccordée en vue de son utilisation, ne doit pas être entreposée dans le voisinage de cet appareil ou de tout autre appareil.
- Ce barbecue est conçu pour être alimenté par du gaz naturel seulement.
- Ne tentez jamais de raccorder ce barbecue au système autonome d'alimentation en gaz propane d'un bateau d'une caravane, d'une autocaravane ou d'une résidence.
- Ne tentez jamais de déplacer le barbecue lorsqu'il est allumé ou toujours chaud. Verrouillez toujours les roulettes avec frein lorsque vous ne déplacez pas le barbecue.
- N'utilisez pas le barbecue tant qu'il n'est pas complètement assemblé et tant que toutes les pièces ne sont pas fixées et serrées solidement.
- Maintenez tout objet ou toute surface combustible à une distance d'au moins 91,44 cm (36 po) du barbecue, et ce, en tout temps.
- Ne touchez pas les éléments en métal du barbecue avant que celui-ci ne soit complètement refroidi (environ 45 minutes) afin d'éviter les brûlures, à moins d'utiliser des articles de protection (poignées, gants, mitaines pour le barbecue, etc.).
- Ne modifiez ce barbecue d'aucune façon.
- Nettoyez et inspectez le tuyau avant chaque utilisation. Si vous constatez des signes d'abrasion ou d'usure, ou s'il est coupé ou qu'il fuit, il est important de le remplacer avant de faire fonctionner l'appareil. Vous devez utiliser l'ensemble de tuyau de remplacement précisé par le fabricant, lequel est indiqué dans la liste des pièces de rechange de ce manuel.
- Éloignez les tuyaux à gaz le plus loin possible des surfaces chaudes ou des débordements de graisse chaude.
- Assurez-vous que le compartiment du robinet du barbecue, ses brûleurs et les conduits d'aération sont toujours propres. Inspectez le barbecue avant chaque utilisation. N'entravez pas le flux de gaz ou d'air de la ventilation.
- L'alcool, les médicaments sous ordonnance et les médicaments vendus sans ordonnance peuvent affecter les facultés de l'utilisateur, l'empêchant d'assembler ce barbecue correctement ou de l'utiliser de manière sécuritaire.
- Ne laissez pas un barbecue allumé sans surveillance. Gardez le barbecue hors de la portée des enfants et des animaux en tout temps.
- Ne le placez pas sur une table. Placez le barbecue sur une surface plane.
- N'utilisez pas ce barbecue dans des conditions de grands vents.



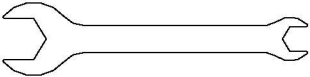

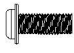


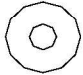

CONTENU DE L'EMBALLAGE



PIÈCE	DESCRIPTION	QTÉ
A	Poignée au couvercle	1
B	Jauge à température	1
C	Structure du barbecue	1
D	Poignées de commande	5
E	Plateau à graisse	1
F	Godet collecteur	1
G	Plaque chauffante	1
H	Grille de cuisson	3
I	Plaques de chaleurs	4
J	Côté gauche la table d'assemblage	1
K	Planche de brûleur	1
L	Brûleur latéral	1
M	Corps du brûleur latéral droit	1
N	Poignées de commande lunette	1

PIÈCE	DESCRIPTION	QTÉ
O	Patte gauche d'assemblage	1
P	Embouts	2
Q	Barre bloc-cylindres	1
R	Support d'assemblage du chariot	1
S	Planche basse du support arrière d'assemblage	1
T	Panneau avant supérieur du chariot	1
U	Panneau avant inférieur du chariot	1
V	Patte droite d'assemblage	1
W	Planche basse	1
X	Roues	1
Y	Fil du cylindre de rétention	2
Z	Planche basse du support avant d'assemblage	1

QUINCAILLERIE INCLUSE (grandeur réelle)

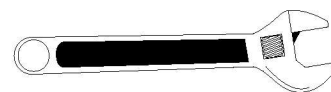
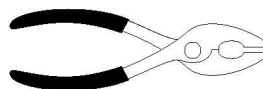
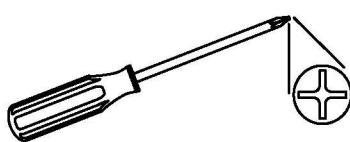
AA	BB	CC	DD	EE	FF
					
ST4.8x10 Vis	M10 Écrou	M10-M6 Cle	M6x16 Boulon	M5x12 Boulon	M6 Écrous Papillon
Qte. 2	Qte. 2	Qte. 2	Qte. 34	Qte. 2	Qte. 2
GG	HH	II			
					
M6 Rondelles de Blocage	M6 Rondelles	M4x10 Boulon			
Qte. 2	Qte. 2	Qte. 2			

PRÉPARATION

Avant de commencer l'assemblage du produit, assurez-vous d'avoir toutes les pièces. Comparez les pièces dans l'emballage avec la liste des pièces de la page précédente et la quincaillerie indiquée ci-dessus. S'il y a des pièces manquantes ou endommagées, ne tentez pas d'assembler le produit. Communiquez avec le service à la clientèle pour obtenir des pièces de rechange.

Temps d'assemblage approximatif : 50 minutes, par deux personnes

Outils nécessaires pour l'assemblage et la vérification des fuites (non inclus) : tournevis cruciforme et vaporisateur, pince, clé à molette



⚠ MISE EN GARDE

CET ARTICLE EST LOURD. DEUX PERSONNES SONT NÉCESSAIRES POUR ASSEMBLER L'ARTICLE EN TOUTE SÉCURITÉ.

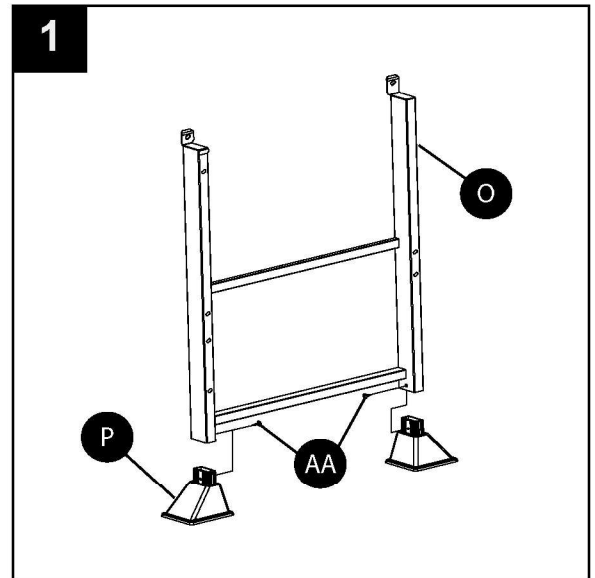
Deux personnes sont nécessaires pour l'assembler en toute sécurité. Soyez prudent, car certaines pièces peuvent avoir des bords coupants. Au besoin, portez des gants protecteurs. Lisez et respectez tous les énoncés sur la sécurité et les avertissements, et suivez toutes les instructions pour l'assemblage ainsi que la section sur l'entretien de l'article avant de tenter d'assembler et d'utiliser cet article.

INSTRUCTIONS POUR L'ASSEMBLAGE

1. Mettre les deux embouts (P) en dessous de la patte gauche d'assemblage (O), et puis fixer les avec les deux vis ST4.8X10 (AA).


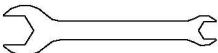
Quincaillerie utilisée

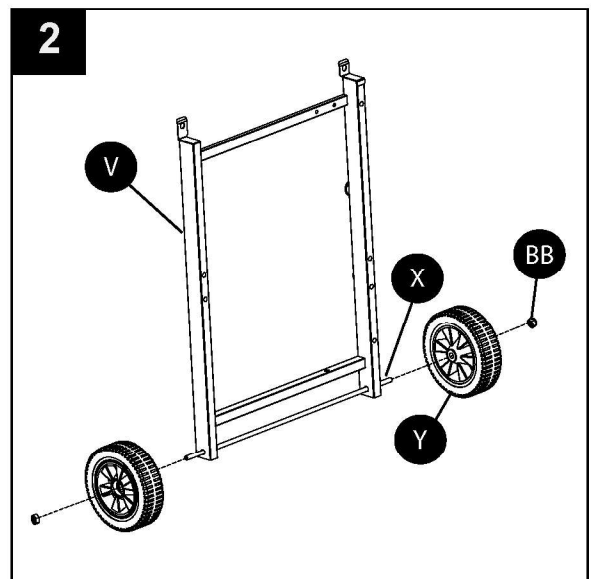
AA	ST4.8x10 Vis		x 2
-----------	--------------	---	-----



2. Glisser l'essieu (X) entre la patte droite d'assemblage (V) et puis, mettez les roues (Y) sur les deux côtés, et ensuite resserrer les roues avec l'écrou M10 (BB) et à l'aide de la clé à molette (CC). À noter, cette étape aura besoin de deux personnes être compléter, et si nécessaire d'autres pièces comme une pince ou une clé à molette ajustable peuvent aussi être utilisé pour l'assemblage.

Quincaillerie utilisée


BB	M10 Ecrou		x 2
CC	M10-M6 Cle		x 2

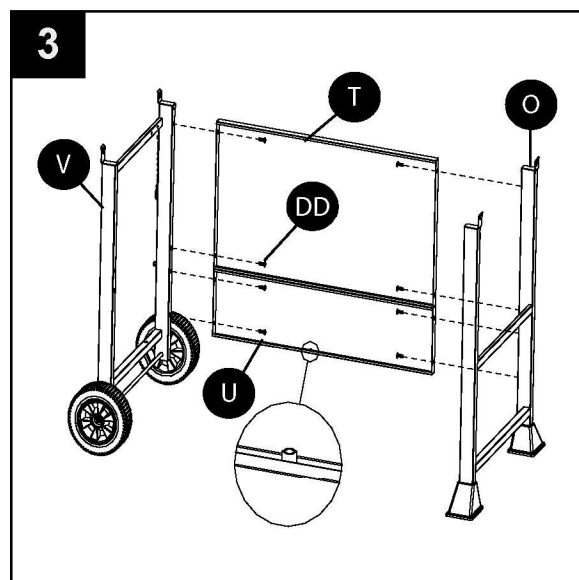


INSTRUCTIONS POUR L'ASSEMBLAGE

3. Utiliser les boulons M6x16 (DD) pour assembler le panneau avant supérieur du chariot (T), et le panneau avant inférieur du chariot (U) entre la patte gauche d'assemblage (O) et la patte droite d'assemblage (V). À noter que la direction du panneau avant inférieur du chariot (U), le côté avec l'écrou rivet au centre, devrait être vers le bas.

Quincaillerie utilisée

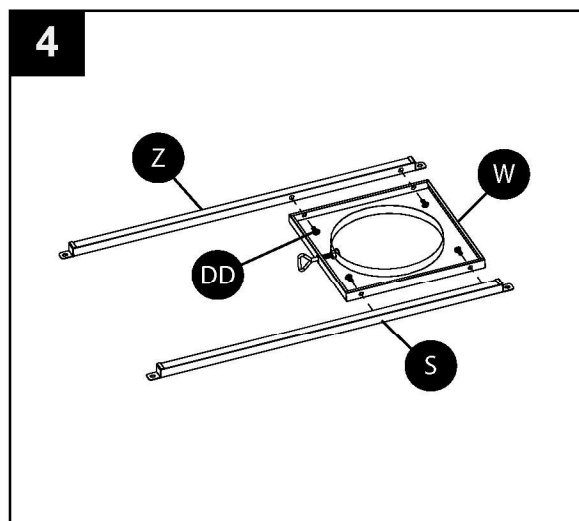
DD M6x16 Boulon  x 8



4. Utiliser quatre boulons M6x16 (DD) pour attacher la planche basse du support avant d'assemblage (S), la planche basse du support arrière d'assemblage (Z) et la planche basse (W).

Quincaillerie utilisée

DD M6x16 Boulon  x 4

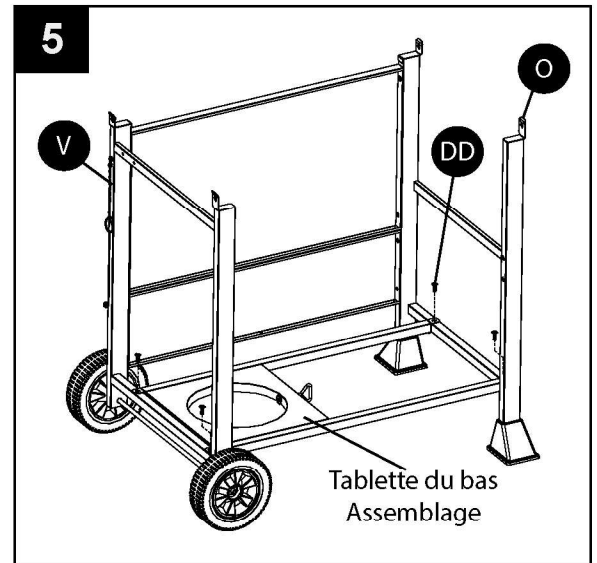


INSTRUCTIONS POUR L'ASSEMBLAGE

5. Assembler la planche basse d'assemblage à la patte gauche d'assemblage (O) et à la patte droite d'assemblage (V) avec les quatre boulons M6x16 (DD).

Quincaillerie utilisée

DD M6x16 Boulon  x 4

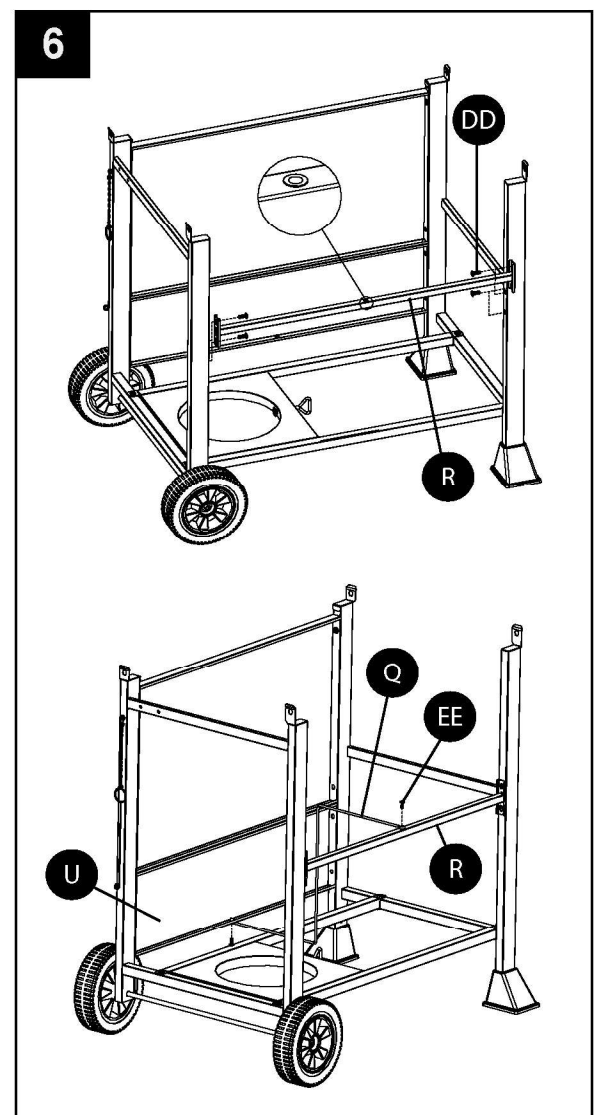


6. Utiliser quatre boulons M6x16 boulons (DD) pour attacher le support arrière du chariot (R) aux pattes gauche et droite d'assemblage, veuillez noter de la direction du support arrière du chariot (R), et que le côté ayant le rivet creux au milieu devrait se trouver vers le haut. Ensuite utiliser deux boulons M5x12 (EE) pour fixer la barre block cylindrique (Q) entre le panneau avant bas (U) et le support arrière du chariot (R).

Quincaillerie utilisée

DD M6x16 Boulon  x 4


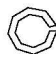

EE M5x12 Boulon  x 2

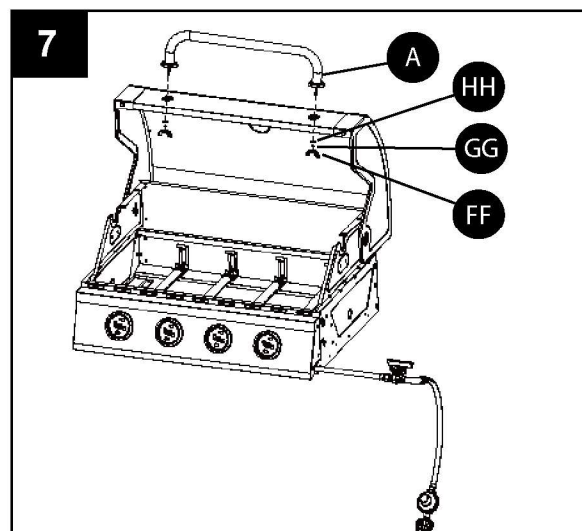


INSTRUCTIONS POUR L'ASSEMBLAGE

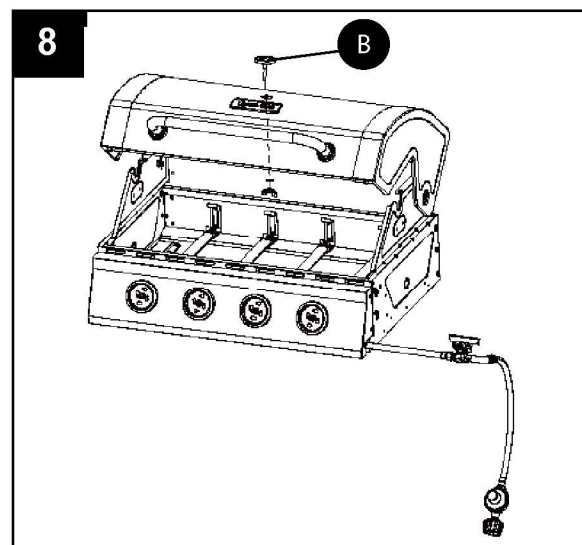
7. Monter la pièce d'assemblage de la poignée au couvercle de barbecue (A) avec deux écrous papillon (FF), deux rondelles de blocage (GG) et deux rondelles M6 (HH).

Quincaillerie utilisée

FF	M6 Écrous Papillon		x 2
GG	M6 Rondelles de Blocage		x 2
HH	M6 Rondelle		x 2



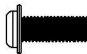
8. Monter la jauge à température (B) sur le couvercle de barbecue. S'il-vous-plaît utiliser la rondelle et écrou à ailettes pré-assemblé avec jauge à température (B) sur le capot.

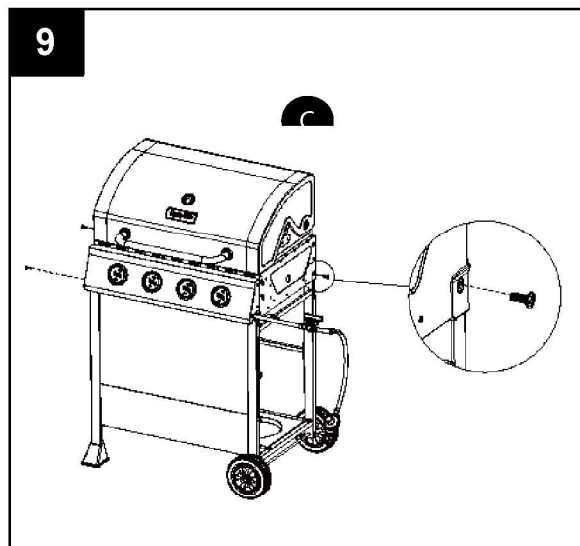


INSTRUCTIONS POUR L'ASSEMBLAGE

9. Monter la pièce d'assemblage de la structure du barbecue sur la pièce d'assemblage (C) du chariot avec quatre boulons M6x6 (DD).


Quincaillerie utilisée

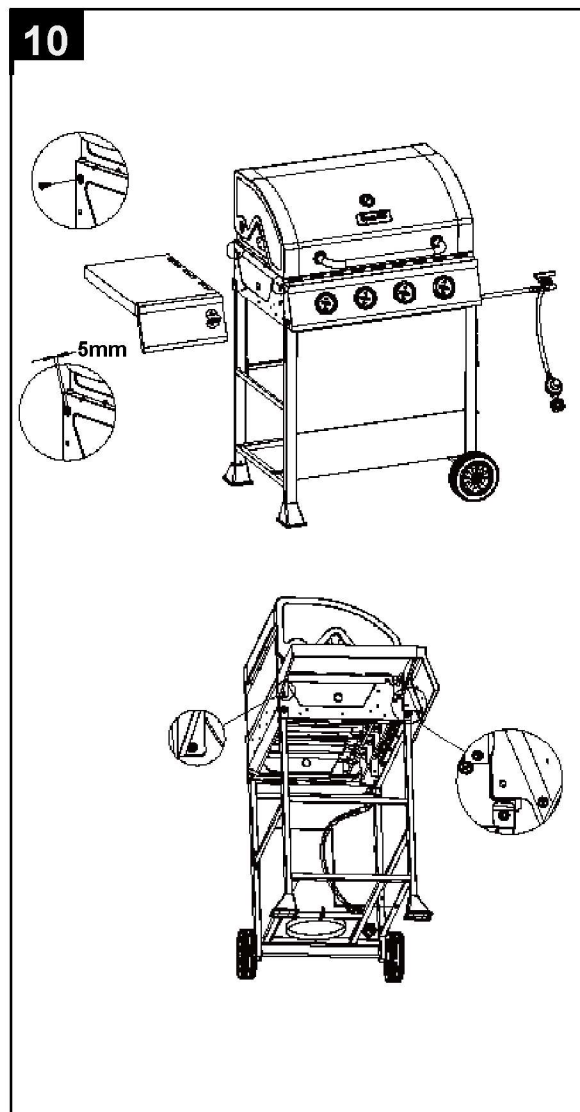
DD M6x16 Boulon  x 4



10. Monter d'avance deux boulons M6x16 (DD) sur la structure du barbecue (C) et ensuite de ne pas les resserrer et puis de s'assurer de laisser une ouverture de 5mm entre le boulon et l'embout de la structure du barbecue. Ensuite laisser pendre le côté gauche de la table d'assemblage (J) sur les boulons et fixer le côté gauche de la table d'assemblage (J) avec trois boulons M6x16(DD) et puis resserrer tous les boulons.

Quincaillerie utilisée

DD M6x16 Boulon  x 5

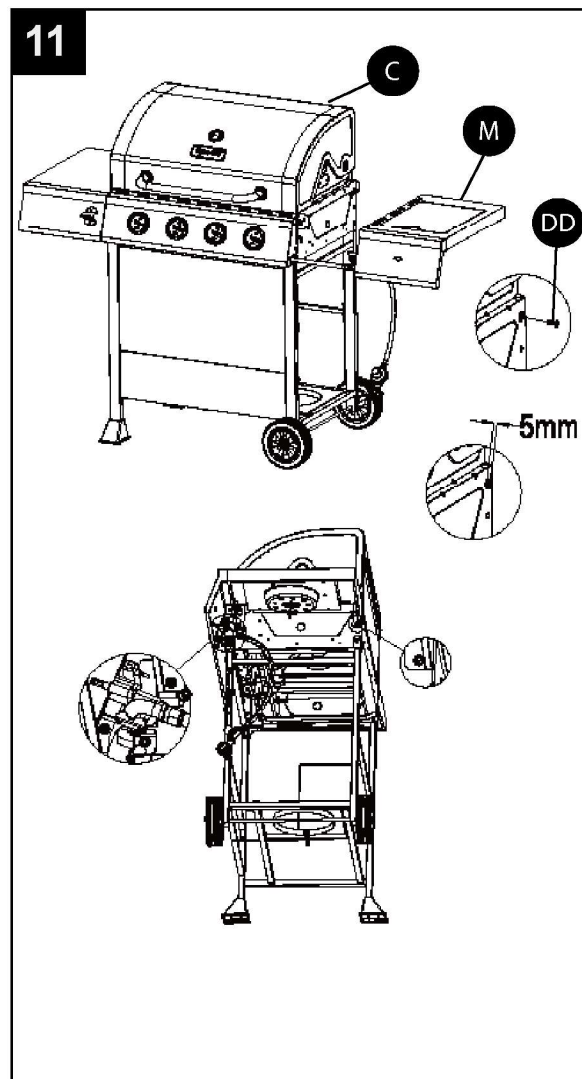


INSTRUCTIONS POUR L'ASSEMBLAGE

13. Insérez two vis M6x16 (DD) dans le côté droit du boîtier du barbecue (C), mais le filetage des vis doit laisser un espace de 5mm, comme illustré. Alignez les trous du table brûleur latéral droite (M) aux 2 vis que vous venez d'insérer dans le boîtier du barbecue (C). Insérez three vis M6x16 (DD) dans les autres trous du boîtier du barbecue (C). Ajustez la table brûleur latéral droite (M) et serrez toutes les vis.


Quincaillerie utilisée

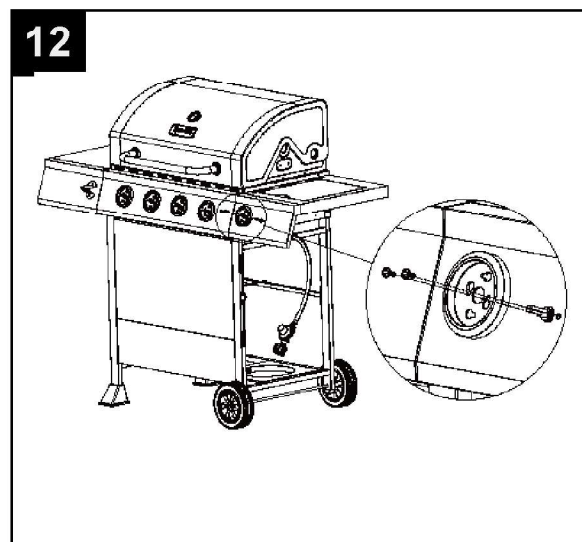
DD M6x16 Boulon  x 5



12. Utiliser deux boulons M4x10 (II) pour assembler la pièce d'assemblage de côté pour la valve du brûleur à gaz et le chaton (N) du bouton de contrôle au côté droit du corps du brûleur (M).

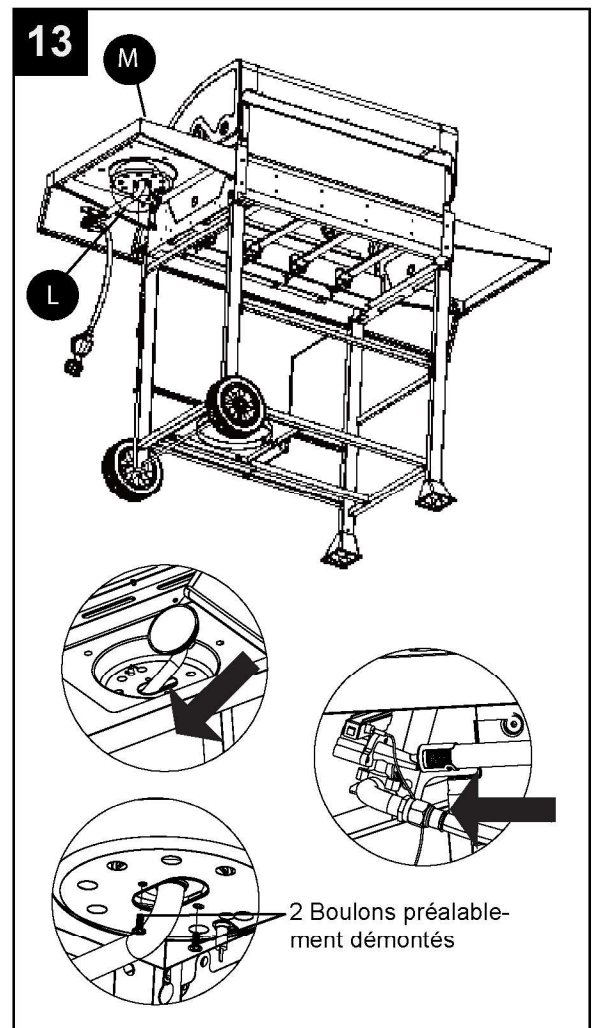
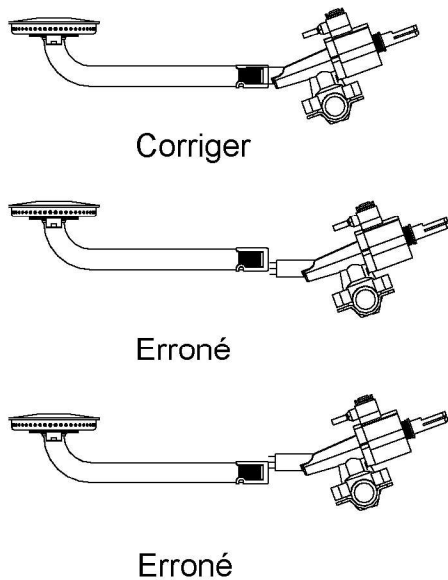
Quincaillerie utilisée

II M4x10 Boulon  x 2



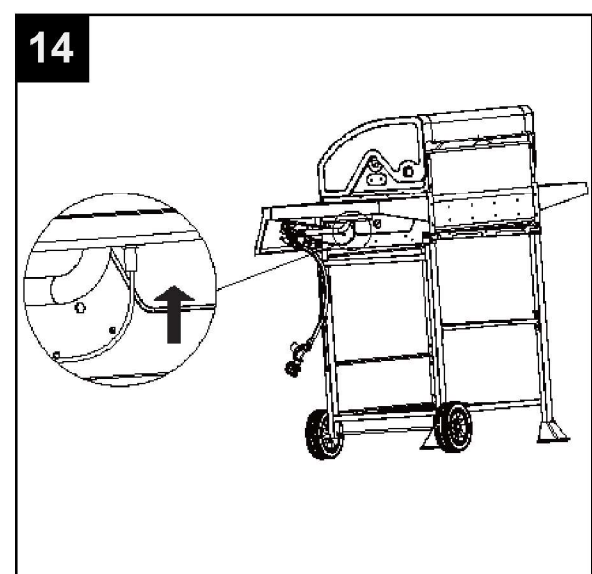
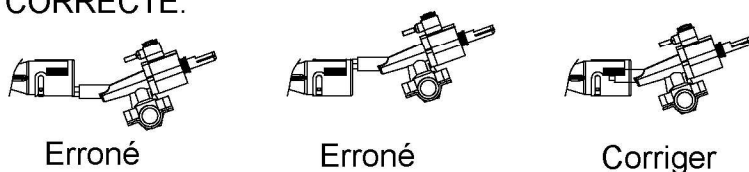
INSTRUCTIONS POUR L'ASSEMBLAGE

13. Démontez deux boulons M4x10 étant déjà monté au brûleur de côté (L) et ensuite de les utiliser pour monter le brûleur de côté (L) au corps du brûleur (M). S'il vous plaît assurer vous que l'orifice de la soupape à gaz soit correctement positionné à l'intérieur de l'orifice du brûleur de côté.



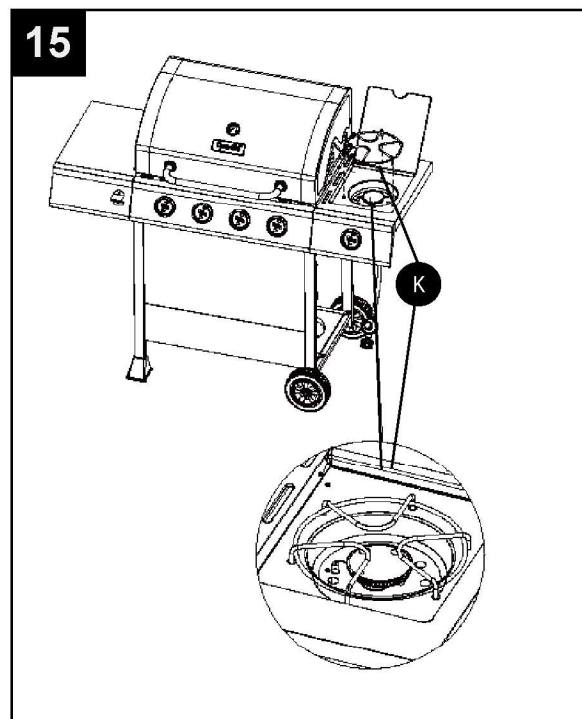
14. Relier le fils d'allumage du brûleur de côté au brûleur de côté.

⚠ AVERTISSEMENT : IL EST TRÈS IMPORTANT DE VÉRIFIER ET DE S'ASSURER QUE CHAQUE BRÛLEUR EST CORRECTEMENT RACCORDÉ À SA VALVE ADJACENTE AVANT DE COMPLÉTER L'ÉTAPE 15. NE PAS FAIRE CELA PEUT CAUSER UN INCENDIE OU EXPLOSION, CAUSANT DES BLESSURES GRAVES OU LA MORT. CONSULTEZ LA SECTION SUR LES INSTRUCTION D'ENTRETIEN AFIN DE VOUS ASSURER QUE L'INSTALLATION EST CORRECTE.

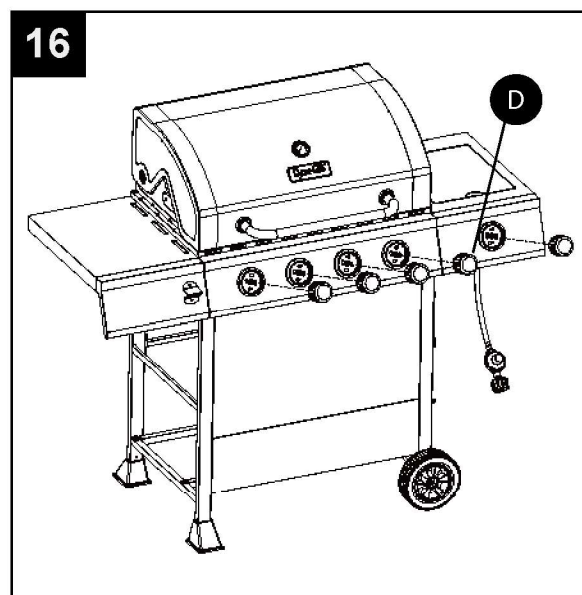


INSTRUCTIONS POUR L'ASSEMBLAGE

15. Mettre la planche de brûleur (K) à sa place.

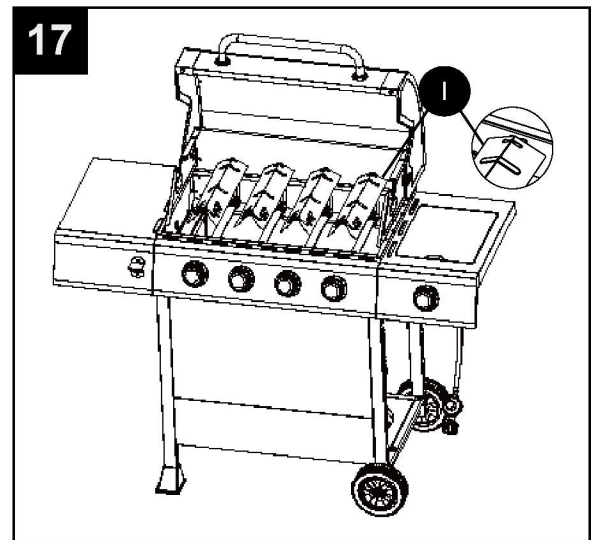


16. Monter les cinq poignées de commande (D).

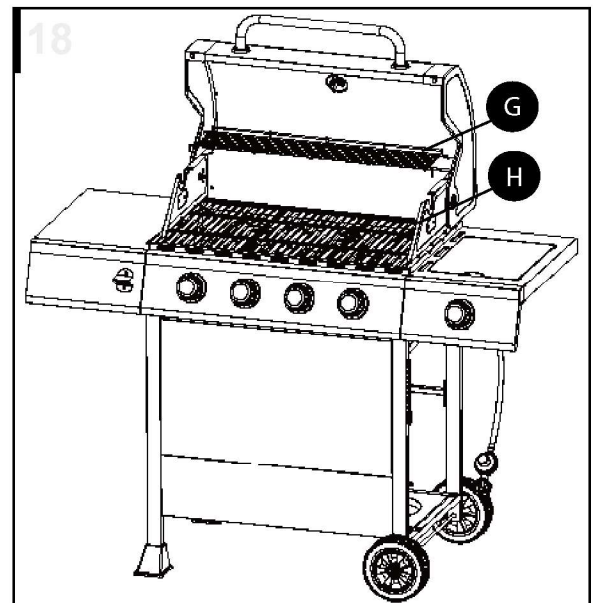


INSTRUCTIONS POUR L'ASSEMBLAGE

17. Mettre les quatre plaques de chaleurs de barbecue (I) en place au-dessus de chaque brûleur.

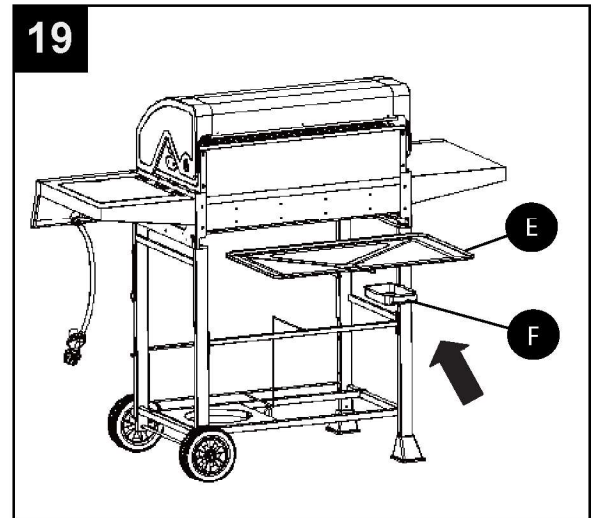


18. Mettre les trois grilles de cuisson (H) et la plaque chauffante G) en place.




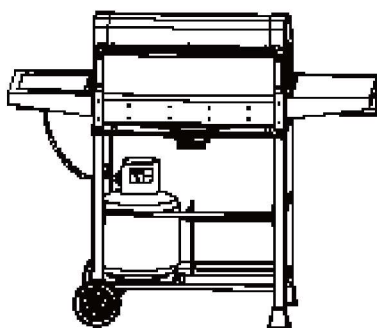
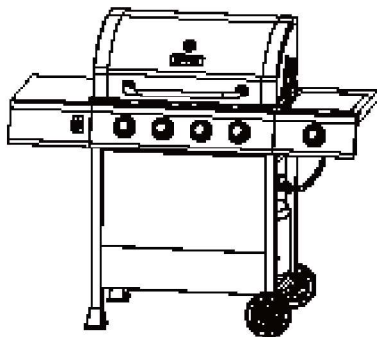
INSTRUCTIONS POUR L'ASSEMBLAGE

19. Monter le plateau à graisse (E) et godet collecteur (F).

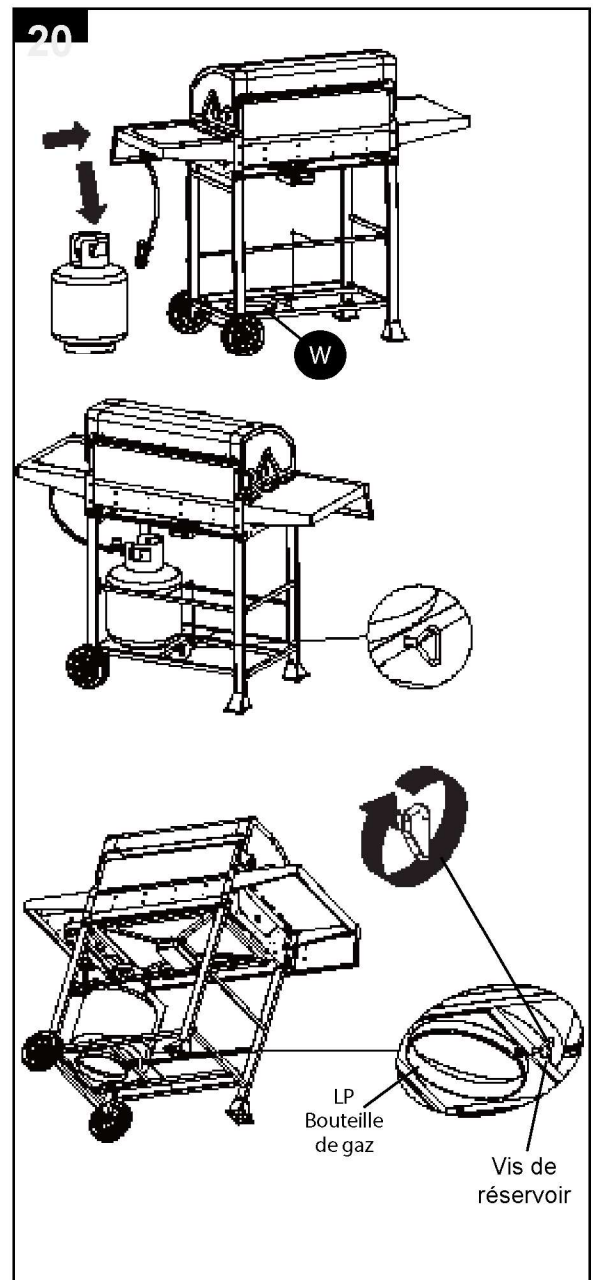


20. Placez la bouteille de gaz (vendue séparément) sur le trou qui se trouve sur l'étagère du bas (W). Tournez la bouteille de gaz afin de pouvoir raccorder le tuyau/détendeur à la valve fileté de la bouteille de PL (propane liquide). Serrez à la main le raccordement du tuyau/détendeur à la valve fileté de la bouteille du PL.

Serrez la vis  de serrement de la bouteille qui se trouve à l'étagère du bas (W), et ce, jusqu'à ce que la bouteille soit installée sécuritairement sur le trou de l'étagère du bas (W).



Vue arrière



DÉTECTION DES FUITES

Après avoir fait tous les branchements, vérifiez s'il y a des fuites en vaporisant de l'eau savonneuse sur le robinet du réservoir de propane liquéfié, le tuyau de gaz et le régulateur.

Pour prévenir les incendies ou les explosions lorsque vous tentez de détecter les fuites :

- Procédez toujours à la détection des fuites avant d'allumer le barbecue.
- Ne fumez pas lorsque vous vérifiez la présence de fuites.
- Procédez toujours à la détection des fuites à l'extérieur, dans un endroit bien aéré.
- N'utilisez aucune source de flamme lorsque vous vérifiez la présence de fuites.
- N'utilisez pas le barbecue tant que toutes les fuites n'ont pas été colmatées.
- Si vous ne pouvez colmater une fuite, débranchez immédiatement l'alimentation et appelez un service de réparation d'appareils.

VÉRIFICATION DES FUITES

- Préparez une solution afin de procéder à la vérification des fuites; mélangez une part de savon à vaisselle liquide et trois parts d'eau. Vous aurez besoin d'environ 70 à 90 ml (2 à 3 oz) de liquide. Versez la solution en question dans un vaporisateur.
- Assurez-vous que tous les boutons de commande sont à la position arrêt.
- Ouvrez le robinet du réservoir de propane liquéfié.
- Vaporisez la solution sur tous les branchements et les raccords dans lesquels circule du gaz. La présence de bulles à un endroit où vous avez appliqué la solution d'eau savonneuse indique une fuite de gaz. Si vous détectez ou entendez une fuite, ou si vous sentez une odeur de gaz, fermez le réservoir de propane liquéfié immédiatement et réparez la fuite ou remplacez la pièce défectueuse. N'utilisez pas le barbecue tant que toutes les fuites n'ont pas été colmatées.

MISE EN GARDE

Utilisez uniquement l'ensemble régulateur et tuyau fourni! Si vous avez besoin d'une pièce de rechange, communiquez avec le service à la clientèle. N'utilisez pas de pièces de rechange qui ne sont pas conçues pour ce barbecue.

AVERTISSEMENT

TOUTES LES INSTRUCTIONS ET MESURES DE SAUVEGARDE SUR CETTE PAGE DOIVENT ÊTRE SUIVIES POUR PRÉVENTION INCENDIE, DOMMAGES ET / OU DE BLESSURES.

MODE D'EMPLOI

RACCORD DE LA BOUTEILLE DE GAZ

La bouteille de propane liquéfié utilisée doit être fabriquée et identifiée conformément aux normes pour les bouteilles de propane liquéfié du Specifications for LP Gas Cylinders of the U.S. Department of Transportation (D.O.T.) or the National Standard of Canada, CAN/CSA-B339, Cylinders, Spheres and Tubes for Transportation of Dangerous Goods; and Commission, le cas échéant, et munie d'un dispositif de protection contre les débordements.

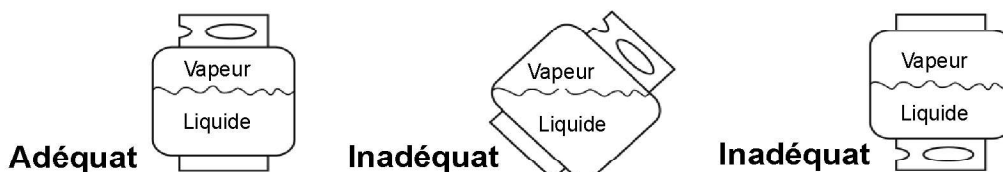
Utilisez seulement une bouteille de 9,07 kg (hauteur de 45,99 cm, diamètre de la bouteille de 24,99 cm, diamètre du pied de 20,4 cm) dotée d'un dispositif de raccord de bouteille compatible avec le raccord des appareils de cuisson à l'extérieur. La bouteille doit comporter un collet protecteur pour le robinet. Prenez soin de ne pas échapper la bouteille de gaz ni la manipuler rudement!

Déconnectez la bouteille de gaz lorsque l'appareil n'est pas utilisé. Il est permis d'entreposer l'appareil à l'intérieur **UNIQUEMENT** si la bouteille de gaz est déconnectée et retirée de l'appareil. La bouteille doit être entreposée à l'extérieur et placée hors de la portée des enfants. Elle ne doit pas être entreposée dans un immeuble, un garage ou tout autre espace clos. Il ne faut jamais l'entreposer dans un endroit où la température peut excéder 51,7 °C.

Mettez un bouchon antipoussière sur la sortie du robinet d'une bouteille qui n'est pas utilisée. Utilisez uniquement le type de bouchon antipoussière fourni avec le robinet de la bouteille. D'autres types de bouchons pourraient ne pas être étanches et permettre des fuites de propane.

Avant de faire le raccord, assurez-vous qu'aucun débris n'obstrue le tuyau de sortie de la bouteille de gaz, du manodétendeur, du brûleur ou des orifices du brûleur. Raccordez le manodétendeur et resserrez-le à la main fermement. Fermez le robinet de la bouteille, puis déconnectez la bouteille de propane du manodétendeur lorsque le barbecue n'est pas utilisé.

N'ENTRAVEZ PAS le flux d'air de combustion et de ventilation se rendant au barbecue. La bouteille de propane doit être munie d'un système permettant le retrait de la vapeur et d'un dispositif reconnu de prévention des trop-pleins. Veuillez orienter la bouteille dans le sens indiqué pour permettre le retrait de la vapeur. **REMARQUE** : La bouteille de gaz doit toujours être en position verticale afin de permettre uniquement le retrait de la vapeur.



⚠ MISE EN GARDE

- N'entreposez pas de bouteille de GPL sous le barbecue ou à proximité de celui-ci.**
- Ne remplissez jamais une bouteille de GPL à plus de 80 % de sa capacité.**
- Si les directives mentionnées au point (a) et au point (b) ne sont pas suivies exactement, un incendie causant la mort ou des blessures graves peut se produire.**



MODE D'EMPLOI



REMARQUE : Vous pouvez utiliser d'autres bouteilles avec cet appareil, pourvu qu'elles conviennent au trou pour la bouteille et aux dispositifs de fixation. Consultez l'étape 20 des instructions pour l'assemblage pour connaître la manière adéquate de fixer une bouteille au support de bouteille.

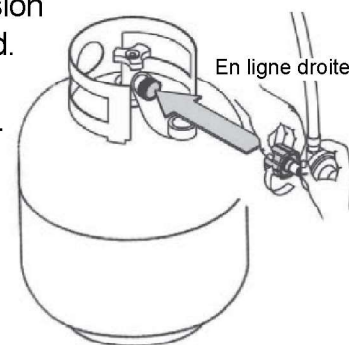
⚠ AVERTISSEMENT

TOUTES LES INSTRUCTIONS ET MESURES DE SÉCURITÉ QUI SUIVENT DOIVENT ÊTRE RESPECTÉES AFIN DE PRÉVENIR LES INCENDIES, LES DOMMAGES ET LES BLESSURES.

RACCORDEMENT DE LA BOUTEILLE DE PROPANE

1. Le robinet de la bouteille de propane doit être fermé. Pour vérifier si c'est le cas, assurez-vous qu'il n'est pas possible de le tourner davantage dans le sens des aiguilles  d'une montre. Le système d'alimentation de la bouteille doit être placé de façon à permettre le retrait du propane à l'état gazeux.
2. Vérifiez que le bouton de commande du dispositif de commande du brûleur est à la position « OFF » (arrêt).
3. Retirez le capuchon de protection du robinet du réservoir de propane liquéfié et de l'écrou d'accouplement.
4. Tenez le régulateur dans une main et insérez le mamelon dans le tuyau de sortie. Assurez-vous que le mamelon est bien centré dans le tuyau de sortie. L'écrou d'accouplement se visse sur les filets extérieurs de grande dimension du tuyau de sortie. Faites attention de ne pas fausser le filetage du raccord.
5. Serrez l'écrou d'accouplement à la main dans le sens des aiguilles  d'une montre jusqu'à ce qu'il ne soit plus possible de le tourner davantage. Vissez-le fermement à la main seulement. N'utilisez pas d'outils.

Déconnexion : Fermez complètement le robinet du réservoir en tournant dans le sens des aiguilles  d'une montre. Tournez dans le sens contraire  des aiguilles d'une montre jusqu'à ce que l'écrou se détache du régulateur.



⚠ AVERTISSEMENT

Lorsque vous effectuez les raccordements, assurez-vous que :

- le connecteur de l'orifice d'entrée du régulateur est correctement et solidement raccordé au tuyau de sortie de la bouteille;
- le tuyau de gaz propane liquéfié ne touche pas au foyer du barbecue.

MODE D'EMPLOI

ALLUMAGE DU BARBECUE

Avant la première utilisation :





Retirez toutes les étiquettes et les courroies de plastique, le cas échéant. Avant d'utiliser votre nouveau barbecue au gaz, il est nécessaire de le nettoyer à la chaleur. Pour ce faire, faites fonctionner le barbecue pendant une quinzaine de minutes; le couvercle doit être fermé et le bouton de commande, à la position maximale. De cette façon, la chaleur brûlera tous les résidus et dissipera l'odeur provenant du processus de fabrication, nettoyant ainsi les pièces internes.

⚠ MISE EN GARDE

Si la flamme s'éteint accidentellement pendant l'allumage ou l'utilisation du barbecue, FERMEZ immédiatement le robinet de la bouteille de propane, puis FERMEZ le bouton de commande du brûleur.

⚠ AVERTISSEMENT



Ne vous penchez pas au-dessus du barbecue lorsque vous l'allumez. Lisez les instructions avant d'allumer l'appareil.

1. Vérifiez que les boutons de commande sont à la position « OFF » (arrêt). O
2. Ouvrez complètement le robinet de la bouteille en le tournant dans le sens contraire des aiguilles d'une montre. 
3. Ouvrez le couvercle lorsque vous procédez à l'allumage.
4. Appuyez sur le bouton de commande et tournez-le dans le sens contraire des aiguilles d'une montre  de façon à ce qu'il passe de la position « OFF » (arrêt) à la position IGNITE (allumage) , et enfin à la position HIGH (élevée) . Il se peut que vous ayez à répéter cette étape plusieurs fois pour allumer le brûleur.
Si le brûleur ne s'allume pas après cinq secondes, tournez les boutons de commande jusqu'à la position « OFF » (arrêt) O, attendez cinq minutes et répétez les étapes d'allumage.

Si le brûleur ne s'allume toujours pas, vérifiez qu'il y a du gaz dans la bouteille, puis suivez les instructions pour l'allumage avec une allumette. Consultez le guide de dépannage à la page 54 pour plus de renseignements.

MODE D'EMPLOI

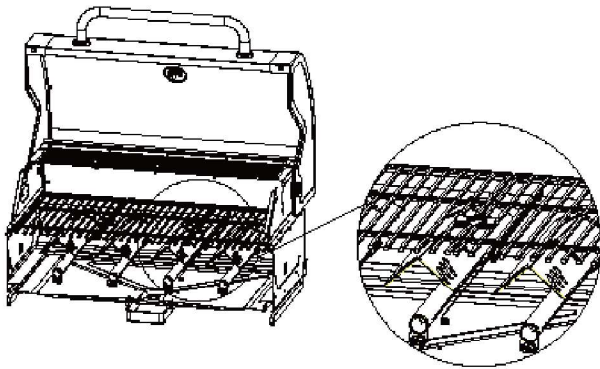
ALLUMER MANUELLEMENT AVEC LE BOUTON D'ALLUMAGE

1. Ouvrez le couvercle.
2. Insérez une allumette à l'extrémité du support à allumettes situé à l'assemblage du pied droit.
3. Allumez l'allumette.
4. Insérez sans tarder l'allumette enflammée dans le trou de 20 mm (0,75 po) situé sur le côté du corps du barbecue le plus près du brûleur que vous souhaitez allumer. Assurez-vous que l'allumette enflammée est près des orifices du brûleur.
5. Appuyez sur le bouton de commande lié au brûleur et tournez-le dans le sens  contraire des aiguilles d'une montre à la position  maximale le brûleur devrait s'allumer immédiatement.
6. Répétez les étapes 2 à 5 afin d'allumer l'autre brûleur.
7. Réglez les brûleurs à l'intensité de cuisson désirée.

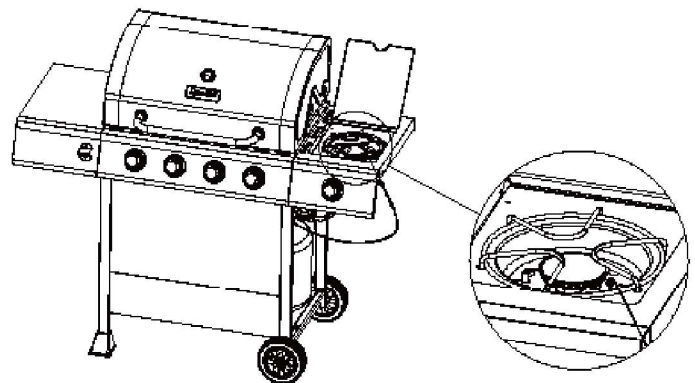
⚠ MISE EN GARDE

Assurez-vous que toutes les commandes des brûleurs sont éteints, sauf le brûleur étant allumé et les brûleurs qui ont été allumés.



Allumage à l'allumette du brûleur principal



Allumage à l'allumette du brûleur latéral



INSTRUCTIONS POUR L'ARRÊT

1. Tournez les boutons de commande dans le sens des  aiguilles d'une montre jusqu'à la position O arrêt.
2. Fermez complètement le robinet du réservoir en le tournant dans le sens des  aiguilles d'une montre.
3. Fermez le couvercle.

Couper l'alimentation en gaz PL à la bouteille si l'appareil n'est pas utilisé.

ENTRETIEN

GRILLES DE CUISSON

Il est recommandé de brûler les résidus sur la grille de cuisson environ quinze minutes après chaque utilisation. Le barbecue est encore chaud et nécessite donc moins de gaz pour atteindre la chaleur nécessaire pour brûler les résidus.

Pour brûler les résidus ou nettoyer votre barbecue par la chaleur, allumez les brûleurs à la position maximale et laissez-les fonctionner pendant 15 minutes, le couvercle du barbecue fermé. Ensuite, éteignez les brûleurs et utilisez une brosse métallique afin de nettoyer les résidus de nourriture qui se trouvent sur les grilles.

Les grilles de porcelaine ont un fini d'émail vitrifié (semblable au verre). Veillez à les manipuler avec soin pour ne pas les ébrécher.

⚠ MISE EN GARDE

Avant de nettoyer et d'entretenir le barbecue, assurez-vous qu'il est refroidi et que l'alimentation en gaz de la bouteille de propane est fermée.

PRODUITS DE NETTOYAGE RECOMMANDÉS

Savon à vaisselle liquide doux, eau tiède, tampon à récurer en nylon, brosse métallique.

N'utilisez PAS de produits nettoyants contenant de l'acide, de l'essence minérale ou toute substance abrasive.

SURFACES EXTÉRIEURES

Il est recommandé de n'utiliser que du savon à vaisselle liquide doux et de l'eau chaude pour nettoyer le barbecue et les pièces de celui-ci. Rincez à l'eau tiède.

CUVETTE INFÉRIEURE À L'INTÉRIEUR DU CORPS DU BARBECUE

Afin d'éviter les montées de flammes, il est recommandé de nettoyer régulièrement la cuvette inférieure située à l'intérieur du barbecue. Enlevez les résidus à l'aide d'une brosse, d'un grattoir ou d'un tampon à récurer. Nettoyez doucement à l'aide de savon à vaisselle liquide doux et d'eau tiède. Rincez à l'eau tiède. Évitez d'éclabousser les tubes diffuseurs des brûleurs.

PLAQUES CHAUFFANTES

Nettoyez les résidus à l'aide d'une brosse métallique et avec du savon à vaisselle doux et de l'eau tiède. Rincez à l'eau tiède.

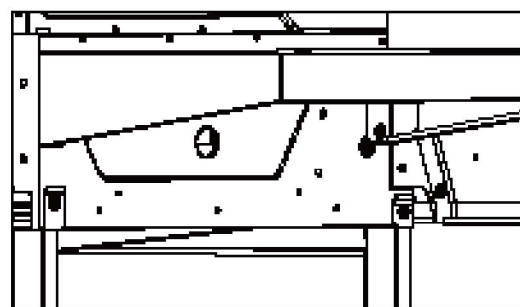
BAC RAMASSE-GRAISSE

Videz le bac ramasse-graisse, puis nettoyez-le régulièrement avec du savon à vaisselle liquide doux et de l'eau tiède.

VÉRIFICATION DE LA FLAMME

Pour obtenir un rendement énergétique optimal ainsi qu'une excellente cuisson, la flamme devrait être jaune et bleue, et sa hauteur, d'environ 2,5 cm à 5 cm.

Pour vérifier la flamme, regardez-la à travers le trou conçu pour allumer les brûleurs à l'aide d'une allumette, situé sur le côté du foyer.



Trou pour visualiser la flamme



Flamme adéquate

Flamme inadéquate

ENTRETIEN

ENSEMBLE DE BRÛLEUR

RETRAIT DE L'ENSEMBLE DE BRÛLEUR

1. Assurez-vous que tous les boutons de commande sont à la position « OFF » (arrêt), que le robinet du réservoir de propane liquéfié est fermé et que ce dernier n'est relié ni au régulateur ni au barbecue.
2. Ouvrez ensuite le couvercle et retirez la grille de maintien au chaud, les grilles de cuisson et les plaques chauffantes.
3. Enlevez les goupilles fendues à l'arrière des brûleurs afin de dégager les brûleurs des supports, comme illustré (figure 1).
4. Faites glisser le brûleur principal pour le sortir du barbecue.
5. Enlevez le fil d'allumage de l'électrode (figure 2).

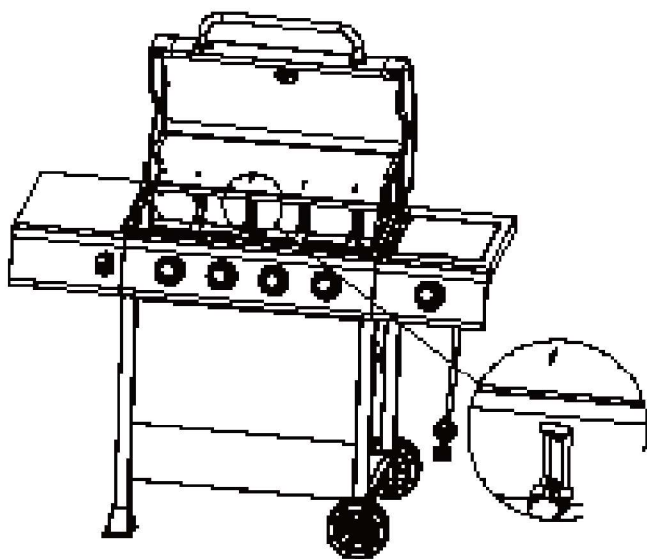
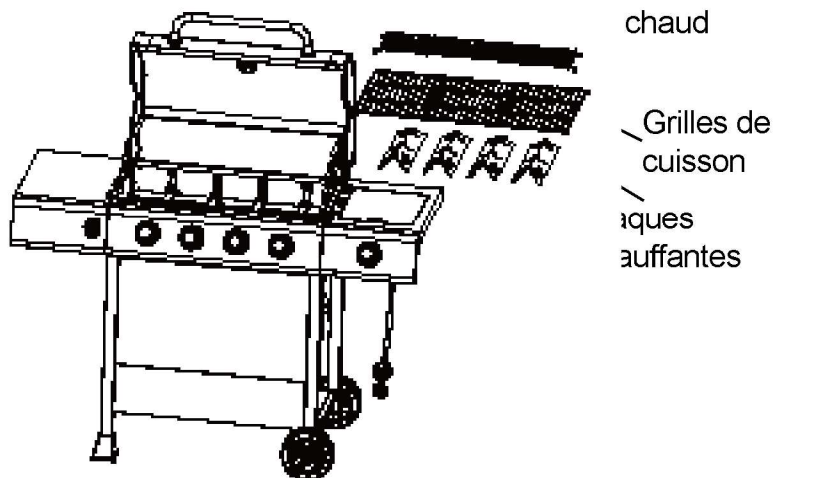


Figure 1

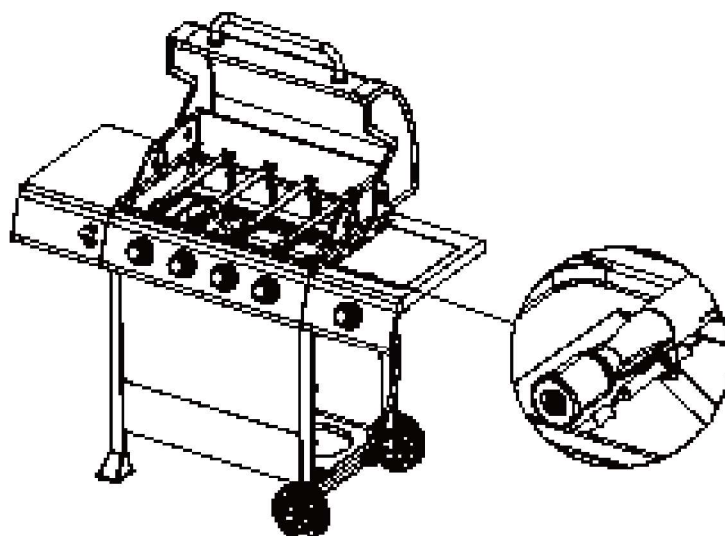


Figure 2

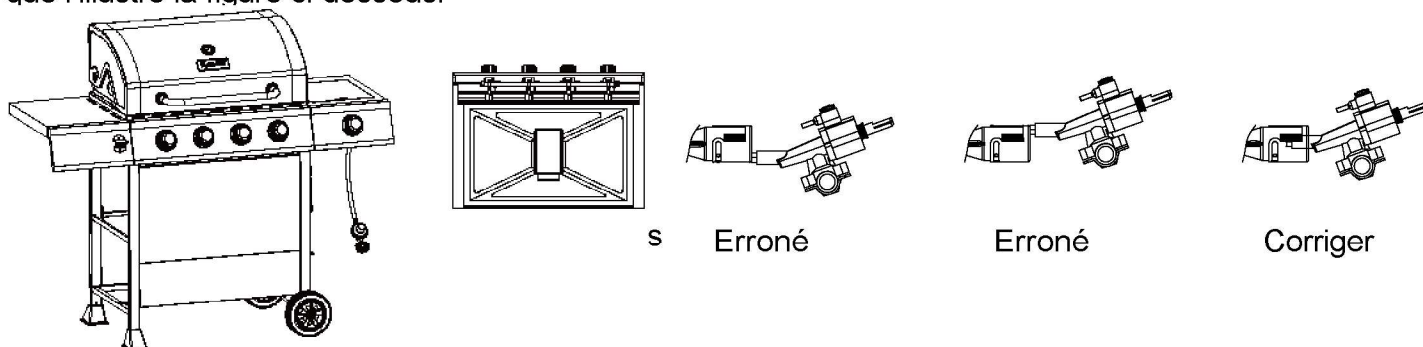
ENTRETIEN

NETTOYAGE DE L'ENSEMBLE DE BRÛLEUR – Assurez-vous que le barbecue est refroidi.

1. Fermez l'alimentation en gaz en tournant les boutons de commande du barbecue et le robinet de la bouteille de propane.
2. Retirez la bouteille de gaz propane liquéfié du tuyau et du régulateur.
3. Retirez ensuite la grille de maintien au chaud, les grilles de cuisson et les plaques chauffantes.
4. Retirez les goupilles fendues situées à l'arrière des brûleurs afin de retirer ces derniers des supports.
5. Séparez à la main le fil d'allumage de l'électrode. N'utilisez NI pinces NI aucun autre outil, car vous pourriez endommager l'électrode ou le fil.
6. Soulevez lentement le brûleur.
7. Assurez-vous que tous les orifices du brûleur ne sont pas bouchés. Pour ce faire, utilisez une épingle ou un trombone.
8. Assurez-vous que le brûleur n'est pas endommagé. Le cas échéant, remplacez-le par un nouveau brûleur.
9. Assurez-vous que l'extrémité du brûleur et le filtre à air principal sont exempts de nids d'insectes, de poussière ou de débris.

RÉINSTALLATION DU BRÛLEUR

Assurez-vous que les orifices du robinet de gaz sont placés correctement à l'intérieur du diffuseur du brûleur (venturi). Vous devrez peut-être utiliser une lampe de poche pour les installer correctement. Il est recommandé de vérifier leur position à travers les trous de ventilation du foyer du barbecue, tel que l'illustre la figure ci-dessous.



Voir la position correcte
à partir du fond de la chambre de combustion.

⚠ AVERTISSEMENT

Si les directives mentionnées précédemment ne sont pas suivies, un incendie ou une explosion pourrait survenir, risquant de causer des blessures graves, voire la mort.

AUTRES TYPES D'ENTRETIEN

Nous vous recommandons de faire faire l'entretien de cet appareil une fois par année par un technicien qualifié.

Nous vous recommandons de vérifier régulièrement que l'espace autour du barbecue au gaz est exempt de tout matériau combustible, essence et autres vapeurs et liquides inflammables.

Nous vous recommandons de vérifier régulièrement que le flux d'air de combustion et de ventilation n'est pas entravé.

Nous vous recommandons de vérifier régulièrement que les ouvertures de ventilation entourant la bouteille (sur le charriot) sont exemptes de débris.

Nous vous recommandons de vérifier régulièrement les tubes du venturi et du brûleur, et de les nettoyer si des insectes ou des nids d'insectes s'y trouvent. Un tube obstrué peut causer un feu sous le barbecue.

DÉPANNAGE

Si vous avez des questions, veuillez téléphoner au service à la clientèle au 1-877-447-4768, Huit heures et demie-16h30, HNC, du lundi - vendredi.

PROBLÈME	CAUSE POSSIBLE	MESURE CORRECTIVE
Le brûleur ne s'allume pas à l'aide de l'allumeur (pas d'étincelle ou étincelle faible).	<ol style="list-style-type: none">1. L'électrode de l'allumeur est couverte de graisse ou de résidus.2. Un fil de l'électrode de l'allumeur est mal raccordé ou déconnecté.3. L'électrode d'allumage est fissurée ou fendue.	<ol style="list-style-type: none">1. Nettoyez l'électrode de l'allumeur.2. Vérifiez les fils et reconnectez tout fil mal raccordé ou déconnecté.3. Remplacez l'électrode d'allumage (consultez la liste des pièces de rechange).
La chaleur est faible.	<ol style="list-style-type: none">1. La pression du gaz vers l'appareil est insuffisante.	<ol style="list-style-type: none">1. Communiquez avec un service d'entretien autorisé pour qu'il vérifie la pression de l'alimentation en gaz et la corrige.
Il y a trop de montées de flammes intermittentes.	<ol style="list-style-type: none">1. De la graisse ou des résidus se sont accumulés sur les plaques chauffantes ou dans le foyer du barbecue.2. Du gras ou de la marinade a dégoutté de la nourriture en trop grande quantité.3. La température de cuisson est trop élevée.	<ol style="list-style-type: none">1. Nettoyez les pièces du barbecue.2. Retirez le gras de la viande et n'utilisez pas de marinades à base d'huile.3. Réduisez la température en conséquence.

DÉPANNAGE

PROBLÈME	CAUSE POSSIBLE	MESURE CORRECTIVE
<p>Le brûleur ne s'allume pas à l'aide d'une allumette.</p>	<ol style="list-style-type: none"> 1. L'allumette n'atteint pas les brûleurs (lorsque vous la tenez d'une main). 2. L'alimentation en gaz est coupée. 3. Il y a un mauvais branchement entre le raccord à manchon et l'embout du tuyau de gaz. 4. L'entrée du brûleur est obstruée. 	<ol style="list-style-type: none"> 1. Utilisez le support à allumettes situé dans la porte de l'armoire. 2. Vérifiez si la vanne d'arrêt manuel du gaz est ouverte. 3. Tournez les boutons de commande à la position OFF (fermé), fermez la vanne d'arrêt du gaz, puis vérifiez le branchement du raccord à manchon et de l'embout. Au besoin, déconnectez-les et reconnectez-les. 4. Nettoyez le diffuseur (venturi) et le brûleur selon les instructions de la section Entretien du manuel.
<p>Le gaz ne circule pas ou sa circulation est entravée.</p>	<ol style="list-style-type: none"> 1. L'alimentation en gaz est coupée. 2. Il y a un mauvais branchement entre le raccord à manchon et l'embout du tuyau de gaz. 3. L'entrée du brûleur est obstruée. 	<ol style="list-style-type: none"> 1. Vérifiez si la vanne d'arrêt manuel du gaz est ouverte. 2. Tournez les boutons de commande à la position OFF (fermé), fermez la vanne d'arrêt du gaz, puis vérifiez le branchement du raccord à manchon et de l'embout. Au besoin, déconnectez-les et reconnectez-les. 3. Nettoyez le diffuseur (venturi) et le brûleur selon les instructions de la section Entretien du manuel.

GARANTIE LIMITÉE

Garantie limitée de 1 an

La garantie de un an de ce barbecue au gaz naturel (et celle de 5 ans des brûleurs en acier inoxydable) couvre les pièces endommagées ou brisées au moment de l'achat. Le barbecue est garanti contre tout défaut. La peinture est garantie contre tout défaut, à l'exception de la rouille qui peut apparaître après une utilisation répétée.

La garantie ne couvre pas les dommages ou les problèmes liés à une négligence, à un usage abusif ou aux modifications apportées à l'appareil. La garantie ne couvre pas les coûts de main-d'oeuvre.

Toutes les pièces couvertes par la garantie seront expédiées sans frais selon la méthode choisie par le fabricant (envoi terrestre par US Mail ou Parcel Post **UNIQUEMENT**). Tout montant additionnel (par exemple, la livraison le lendemain, le surlendemain, etc.) relève de la responsabilité du consommateur.

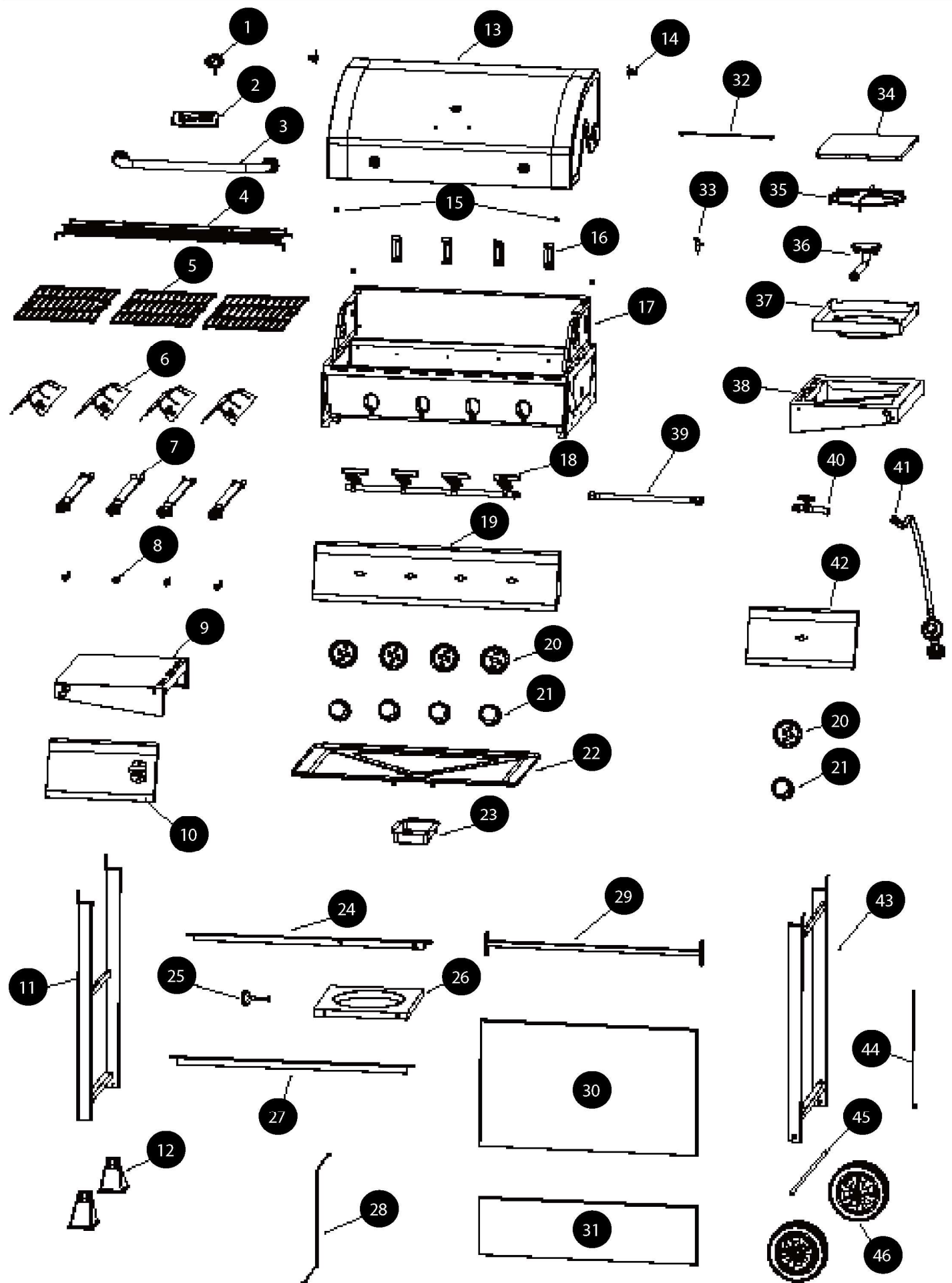
Toutes les réclamations au titre de la garantie ne peuvent être effectuées que par l'acheteur initial du produit et nécessitent une preuve d'achat qui indique la date d'achat. Ne retournez aucune pièce à l'adresse de GHP sans avoir obtenu un numéro d'autorisation de retour de notre service à la clientèle. Vous pouvez appeler sans frais notre service à la clientèle au 1-877-447-4768, huit heures et demie-16h30, HNC, du lundi - vendredi.

AVIS : Certains États ou certaines provinces ne permettent pas une limitation de la durée de la garantie implicite ou une exclusion ou une limitation des dommages accidentels ou consécutifs, de sorte que les limitations ou exclusions mentionnées ci-dessus peuvent ne pas s'appliquer à vous. Cette garantie vous confère des droits précis. Il est possible que vous disposiez également d'autres droits, qui varient d'un État ou d'une province à l'autre.

GHP Group, Inc.
6440 W. Howard Street
Niles, IL, USA
60714-3302

Nom de l'article : Gril à 4 Brûleurs Avec Brûleur Latéral à Utiliser Avec du Propane Liquide
No de modèle : DGB494SPB/DGB495SDP/DGB495SDP-D
Capacité nominale : 48,000 BTU/Hr
Brûleur latéral nominale : 12,000 BTU/Hr

LISTE DES PIÈCES DE RECHANGE



LISTE DES PIÈCES DE RECHANGE

Pour les pièces détachées, appelez notre service à la clientèle au 1-877-447-4768, 8 heures 30-16h30, HNC, du lundi - vendredi.

PART	DESCRIPTION	PART #
1	Ensemble de jauge de température	70- 01- 386
2	Badge	104-22006
3	Poignée de couvercle	70 - 01 -173
4	Grille réchaud	70 - 01 -272
5	Grille de cuisson	70 - 01 -273
6	Tente de chaleur	70 - 01 -179
7	Brûleur principal avec clip	70 - 01 -282
8	Brûleur principal sparker	70 - 01 -283
9	Assemblage de la table côté gauche	70 - 01 - 300
10	Table de gauche avec décapsuleur	70 - 01 -189
11	Assemblage de la jambe gauche	70 - 01 - 274
12	Leg embout	70 - 01 - 275
13	Hotte ensemble (avec plaque intérieure) des Bois	70- 01- 387
14	Charnière (avec écrou, la rondelle et le clip)	70 - 01 -285
15	Couvercle de pare-chocs	70 - 01 - 176
16	Brûleur principal et le soutien de la tente de la chaleur	70 - 01 -181
17	Firebox ensemble - avec le bouclier de chaleur	70 - 01 -277
18	Les valves et l'ensemble de collecteur	70 - 01- 388
19	Assemblage du panneau de contrôle	70 - 01- 389
20	Bouton de commande de lunette	70 - 01 - 390
21	Bouton de contrôle	70 - 01 - 391
22	Plateau de graisse	70 - 01 - 279
23	Graisse tasse	70 - 01 - 187
24	Planche basse du support arrière d'assemblage	70 - 01 -286
25	Vis de fixation de la cuve	70 - 01 - 317
26	Planche Basse	70 - 01 - 291
27	Planche basse du support avant d'assemblage	70 - 01 - 318
28	Bar le bloc-cylindres	70 - 01 - 288
29	Panier arrière soutien	70 - 01 - 287
30	Panier panneau avant - supérieure	70 - 01 - 289
31	Panier panneau avant - inférieure	70 - 01 - 290
32	Brûleur latéral tige de couvercle	70 - 01 - 265
33	Brûleur latéral de sparker	70 - 01 - 269
34	Le couvercle du brûleur latéral	70 - 01 - 264
35	Étagère du brûleur latéral	70 - 01 - 266
36	Vanne Brûleur latéral	70 - 01 - 267
37	Pan du brûleur latéra	70 - 01 - 268
38	Corps du brûleur latéral droit	70 - 01 -314
39	Tuyau annelé	70 - 01 - 194
40	Soupape de côté	70 - 01 - 392
41	Régulateur et tuyau ensemble	70 - 02 - 107
42	Pannaeu avant du brûleur latéral droit	70 - 01 - 393
43	Assemblage de la jambe droite	70 - 01 - 394
44	Titulaire de match avec la chaîne	70 - 01 - 204
45	Essieu	70 - 05 - 103
46	Roue	70 - 05 - 104

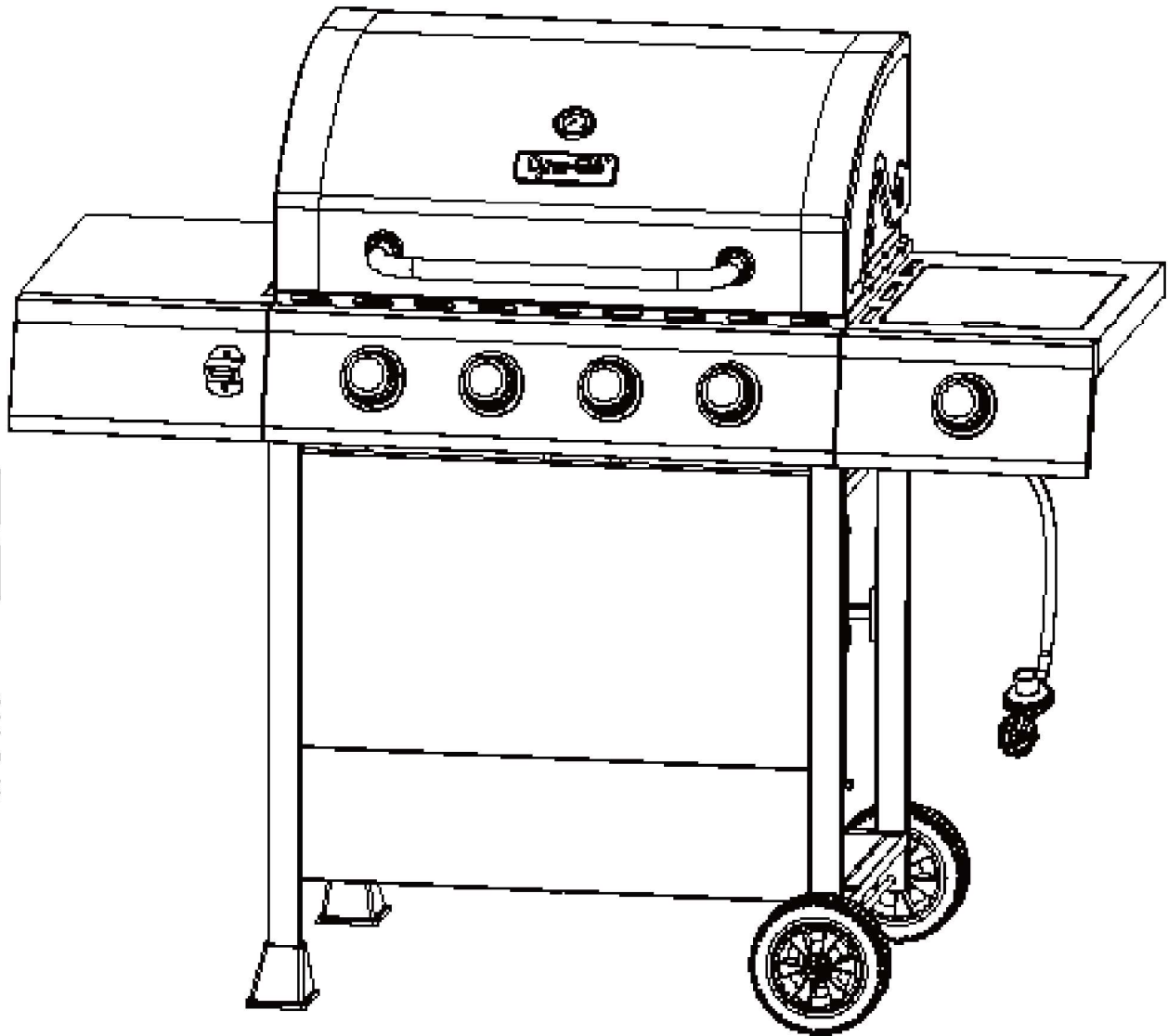
LISTE DES PIÈCES DE RECHANGE

Pour les pièces détachées, appelez notre service à la clientèle au 1-877-447-4768, 8 heures 30-16h30, HNC, du lundi - vendredi.

PART		DESCRIPTION	PART #
n/a		Matériel paquet	70-09-502
n/a		Mode d'emploi	70-10-563

Dyna-Glo® 4 QUEMADORES DE GAS PL PARRILLA DE GAS CON AMPLIA ESTACIÓN DE QUEMADOR

Modelo #DGB494SPB/DGB495SDP/DGB495SDP-D



C
AN
C
Co
af

ADJUNTE SU RECIBO AQUÍ

Número de serie _____ Fecha de compra _____



¿Preguntas, problemas, piezas faltantes? Antes de volver a la tienda, llame a nuestro Departamento de Servicio al Cliente al 1-877-447-4768, de 8:30 am - 4:30 pm, hora central, de lunes - viernes o envíe un correo electrónico a customerservice@ghpgroupinc.com.

Informacion de seguridad	63
Contenido del paquete	65
Aditamentos	66
Preparacion	66
Instrucciones de ensamblaje	67
Instrucciones de funcionamiento	77
Cuidado y mantenimiento	82
Solucion de problemas	85
Garantia	87
Lista de piezas de repuesto	88

Ensamblador/Instalador: Este manual contiene información importante necesaria para el ensamblaje correcto y el uso seguro del electrodoméstico. Lea y siga todas las advertencias e instrucciones antes de ensamblar y utilizar este electrodoméstico. **Entregue estas instrucciones al consumidor.**

Consumidor/Usuario: Siga todas las advertencias e instrucciones al utilizar este electrodoméstico. **Guarde estas instrucciones para referencia futura.**



PELIGRO:

Si percibe olor a gas:

- 1. Cierre el suministro de gas hacia el electrodoméstico.**
- 2. Apague cualquier llama directa.**
- 3. Abra la tapa.**
- 4. Si el olor persiste, manténgase alejado del electrodoméstico y llame de inmediato al departamento de bomberos.**



AVERTENCIA:

- 1. No almacene ni utilice gasolina u otros líquidos o vapores inflamables cerca de éste u otro electrodoméstico.**
- 2. Un cilindro de gas propano que no esté conectado y en uso no debe almacenarse cerca de éste ni de ningún otro aparato.**
- 3. Esta parrilla es sólo para uso en exteriores y no se debe usar en edificios, garajes, bajo salientes u otras áreas cerradas.**
- 4. No deje la parrilla encendida sin supervisión. Mantenga a los niños y las mascotas alejados de la parrilla en todo momento.**

INFORMACION DE SEGURIDAD

Lea y comprenda completamente este manual antes de intentar ensamblar, usar o instalar el producto. Si tiene preguntas relacionadas con el producto, llame al Servicio al Cliente al: 1-877-447-4768, de 8:30 am - 4:30 pm, hora central, de lunes - viernes.

PELIGRO

- No utilice la unidad en un entorno explosivo. No debe haber materiales combustibles, gasolina ni otros vapores o líquidos inflamables cerca de la parrilla.

PROPUESTA 65 DE CALIFORNIA

Los combustibles que se usan en electrodomesticos de combustión a gas o petróleo y los productos de la incineración de dichos combustibles contienen sustancias químicas reconocidas por el estado de California como causantes de cancer, defectos congénitos u otros danos en el aparato reproductivo. Este producto contiene sustancias químicas, incluido plomo y compuestos de plomo, reconocidas por el estado de California como causantes de cancer, defectos congénitos u otros danos en el aparato reproductivo. **Lavese las manos despues de manipularlo.**

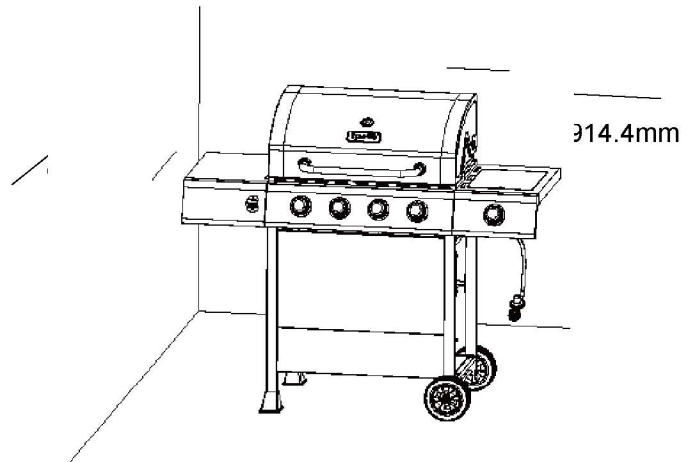
PRECAUCIÓN

- No utilice carbón o líquido para encendedor en la parrilla.
- No use gasolina, queroseno o alcohol para encender la parrilla.
- El cilindro de suministro de gas PL que se utilice con este electrodoméstico debe estar:
 - (a) Fabricado y marcado según las Specifications for LP-Gas Cylinders of the U.S. Department of Transportation (D.O.T.) or the National Standard of Canada, CAN/CSA-B339, Cylinders, Spheres and Tubes for Transportation of Dangerous Goods; and Commission, según corresponda, y
 - (b) Equipado con un dispositivo de prevención de sobrellenado homologado.
 - (c) Equipado con un dispositivo de conexión para el cilindro compatible con el conector para electrodomésticos para cocinar en exteriores. Esta parrilla no está diseñada para usarse o instalarse en vehículos recreativos y/o botes.
- Nunca guarde un contenedor lleno en un auto a altas temperaturas o en el portaequipajes del auto. El calor hace aumentar la presión del gas, lo que puede abrir la válvula de alivio y permitir que escape el gas.
- Siempre abra la tapa de la parrilla lentamente y con cuidado, ya que el calor y el vapor atrapados dentro de la parrilla pueden causarle quemaduras graves.

! ADVERTENCIA

• No coloque la parrilla debajo de construcciones o cobertizos inflamables. Debe haber un espacio de separación mínimo de 91,44 cm (36") desde los lados y la parte posterior de la unidad hasta construcciones de material combustible.

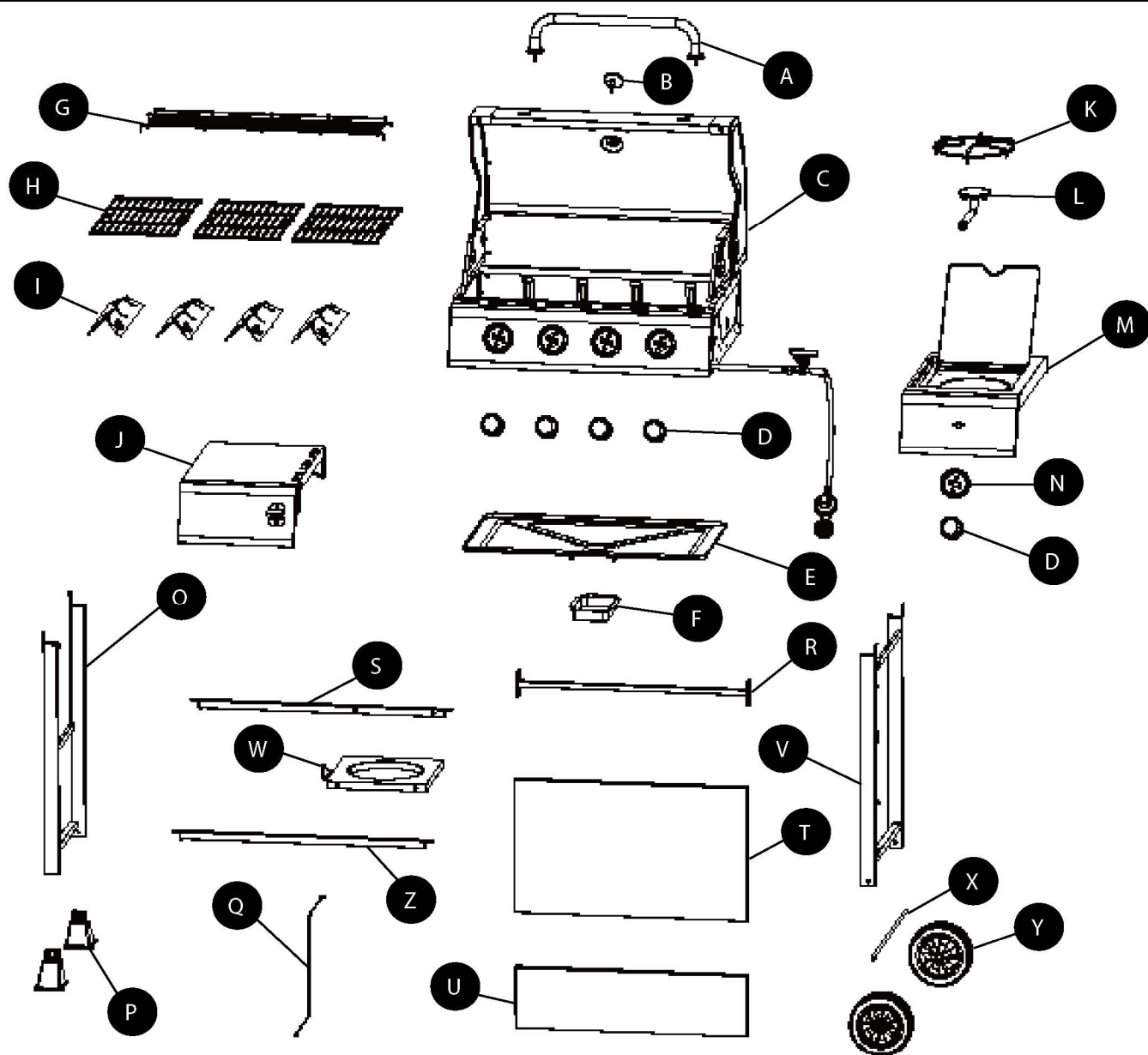
NOTA: La instalación debe cumplir con los códigos locales o, en su defecto, con el National Fuel Gas Code, ANSI Z223.1/ NFPA 54, Natural Gas and Propane Installation Code, CSA B149.1, o Propane Storage and Handling Code, B149.2.



! PRECAUCIÓN

- NO almacene ni utilice gasolina ni otros vapores o líquidos inflamables dentro de 8 metros (25 pies) de distancia de éste ni de ningún otro electrodoméstico.
- Cualquier tanque de gas propano líquido que no esté conectado y en uso debe almacenarse a una distancia mínima de 3 metros de éste o cualquier otro electrodoméstico.
- Esta parrilla debe utilizarse sólo con gas propano (no se incluye el cilindro de gas propano).
- No intente conectar esta parrilla al sistema de gas propano autocontenido de un bote, remolque para camping, casa rodante o casa.
- No intente mover la parrilla mientras está encendida o caliente. Las ruedas deben estar con seguro cuando la parrilla no se esté moviendo.
- No use la parrilla a menos que esté completamente ensamblada y todas las piezas estén ajustadas y apretadas con firmeza.
- Mantenga todos los artículos y las superficies combustibles a una distancia mínima de 91,44 cm (36") de la parrilla en todo momento.
- No toque las piezas metálicas de la parrilla hasta que se hayan enfriado completamente (espere unos 45 minutos) para evitar quemaduras, a menos que utilice artículos de protección (almohadillas, guantes, manoplas para horno, etc...).
- No altere la parrilla de ninguna manera.
- Limpie e inspeccione la manguera antes de cada uso. Si hay evidencia de abrasión, desgaste, cortes o fugas, se debe reemplazar la manguera antes de operar el electrodoméstico. La manguera de reemplazo debe ser la especificada por el fabricante, que se menciona en la lista de piezas de repuesto de este manual.
- Coloque las mangueras de gas lo más lejos posible de superficies calientes y de donde pueda caer grasa caliente.
- Mantenga limpios el compartimiento de la válvula, los quemadores y los pasajes de circulación de aire de la parrilla. Inspeccione la parrilla antes de cada uso. No obstruya el flujo de gas o del aire de ventilación.
- El consumo de alcohol, medicamentos recetados o medicamentos sin receta puede disminuir la capacidad del usuario para armar o utilizar la parrilla de manera segura.
- No deje la parrilla encendida sin supervisión. Mantenga a los niños y las mascotas alejados de la parrilla en todo momento.
- No coloque la parrilla sobre ningún tipo superficie de mesa. La parrilla se debe colocar sobre una superficie plana y nivelada.
- No use la parrilla si hay viento fuerte.



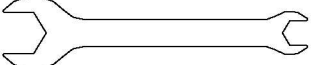


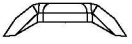

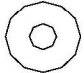

CONTENIDO DEL PAQUETE



PIEZA	DESCRIPCIÓN	CANT.
A	Conjunto del mango de la tapa	1
B	Indicador de temperature	1
C	Cuerpo de la parrilla	1
D	Botones de control	5
E	Bandeja de grasa	1
F	Gaveta para grasa	1
G	Rejilla para calentar	1
H	Parrillas de cocción	3
I	Tiendas de calor	4
J	Mesa lateral izquierda	1
K	Estante del quemador lateral	1
L	Quemador lateral	1
M	Cuerpo quemador lateral derecho	1
N	Control de bisel de mando	1

PIEZA	DESCRIPCIÓN	CANT.
O	Conjunto de la pata izquierda	1
P	Tapas	2
Q	Bloque de barra de cilindros	1
R	Conjunto del carrito	1
S	Conjunto frontal en el soporte del estante posterior	1
T	Carrito panel superior frontal	1
U	Carro del panel frontal inferior	1
V	Conjunto de la pata derecho	1
W	Estante inferior	1
X	Eje	1
Y	Ruedas	2
Z	Conjunto frontal en el soporte del estante inferior	1

ADITAMENTOS (se muestran en tamaño real)

AA	BB	CC	DD	EE	FF
					
ST4.8x10 Tornillo	M10 Tuerca	M10-M6 Llave	M6x16 Tornillo	M5x12 Tornillo	M6 Tuercas de Mariposa
Cant. 2	Cant. 2	Cant. 2	Cant. 34	Cant. 2	Cant. 2
GG	HH	II			
					
M6 Arandela de Seguridad	M6 Arandela	M4x10 Tornillo			
Cant. 2	Cant. 2	Cant. 2			

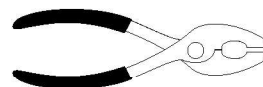
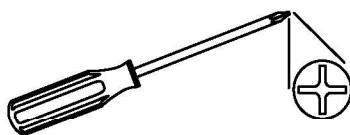
PREPARACION

Antes de comenzar a ensamblar el producto, asegúrese de tener todas las piezas. Compare las piezas con la lista del contenido del paquete de la página anterior y los aditamentos que aparecen arriba. No intente ensamblar el producto si falta alguna pieza o si estas están dañadas. Póngase en contacto con el Departamento de Servicio al Cliente para obtener piezas de repuesto.

Tiempo estimado de ensamblaje: 50 minutos con 2 personas.

Herramientas necesarias para el ensamblaje y la prueba de fugas (no se incluyen):

Destornillador Phillips, botella con atomizador, alicates, llave ajustable



⚠ PRECAUCION

ESTA UNIDAD ES PESADA. SE NECESITAN DOS PERSONAS PARA UN ENSAMBLAJE SEGURO.

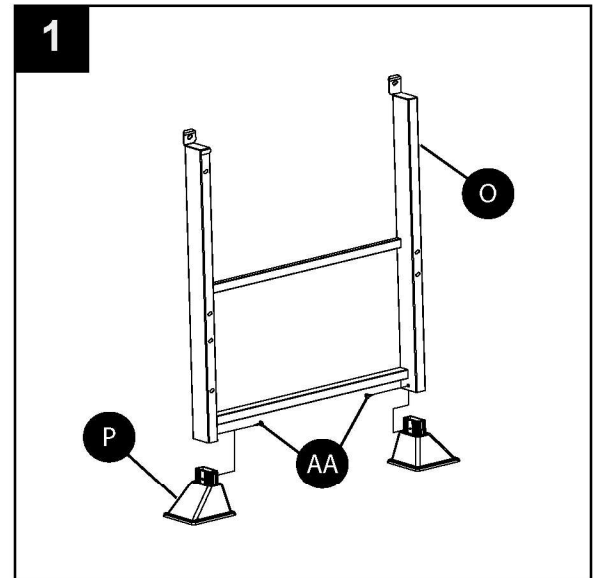
Se requieren dos personas para un ensamblaje segura. Algunas partes pueden presentar bordes filosos. Utilice guantes de protección si es necesario. Lea y siga todas las indicaciones de seguridad, advertencias, instrucciones de ensamblaje, uso y cuidado antes de ensamblar y usar.

INSTRUCCIONES DE ENSAMBLAJE

1. Ponga dos tapas (P) por debajo del conjunto de la pata izquierda (O) y fijarlos con dos tornillos ST4. 8x10 (AA).

Aditamentos utilizados

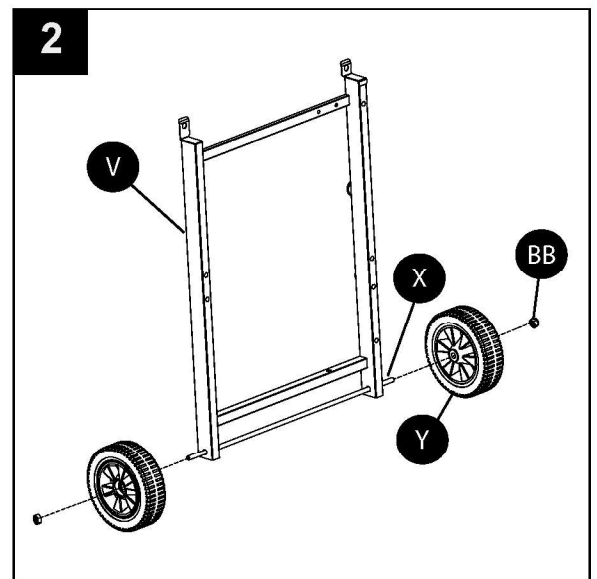
AA	ST4.8x10 Tornillo		x 2
-----------	-------------------	---	-----



2. Deslice el eje (X) a través del conjunto de la pata derecho (V) y luego ponga las ruedas (Y) en ambos lados y soque las ruedas con la tuerca M10 (BB) con la llave (CC). Por favor note que este paso requiere dos personas para completar, y si es necesario cualquier otro alicates o llave ajustable puede ser utilizado para el ensamblaje.

Aditamentos utilizados


BB	M10 Tuerca		x 2
CC	M10-M6 Llave		x 2

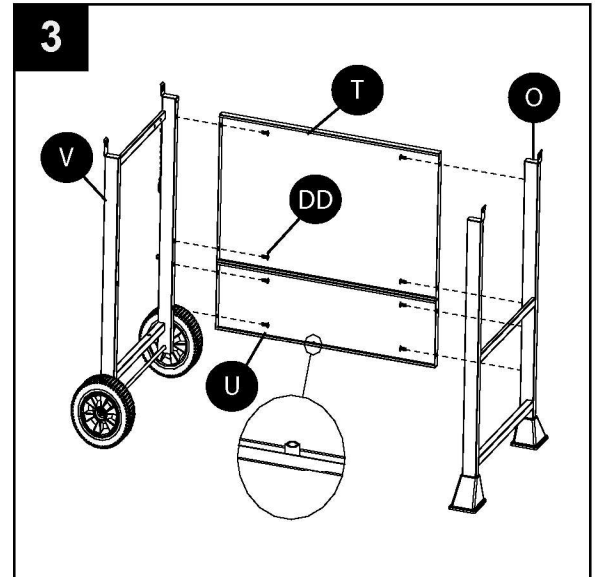


INSTRUCCIONES DE ENSAMBLAJE

3. Utilice tornillo M6x16 para ensamblar carrito panel superior frontal (T) y el carro del panel frontal inferior (U) entre el conjunto de la pata izquierda (V) y el conjunto de la pata derecha (O). Por favor note la dirección en la que tiene que estar el panel bajo frontal del carrito (U). El lado donde está la tuerca de remache en el medio debe estar hacia abajo.

Aditamentos utilizados

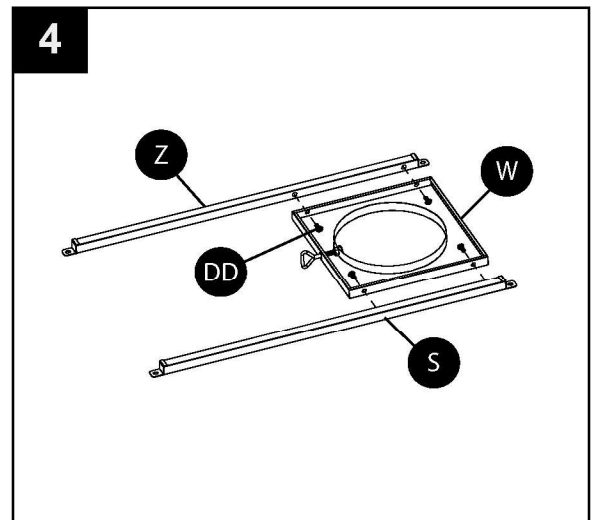
DD M6x16 Tornillo  x 8



4. Utilice cuatro tornillos M6x16 (DD) para fijar el conjunto frontal en el soporte del estante inferior (Z), ensamblaje del soporte posterior (S) y estante inferior (W).

Aditamentos utilizados

DD M6x16 Tornillo  x 4

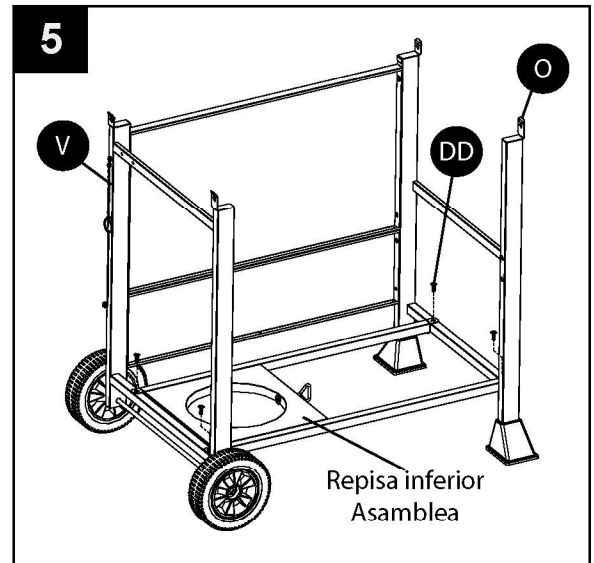


INSTRUCCIONES DE ENSAMBLAJE

5. Ensamble el montaje del estante inferior al montaje de la pierna izquierda (O) y el montaje de la pierna derecha (V) con cuatro tornillos M6x16 (DD).


Aditamentos utilizados

DD M6x16 Tornillo  x 4

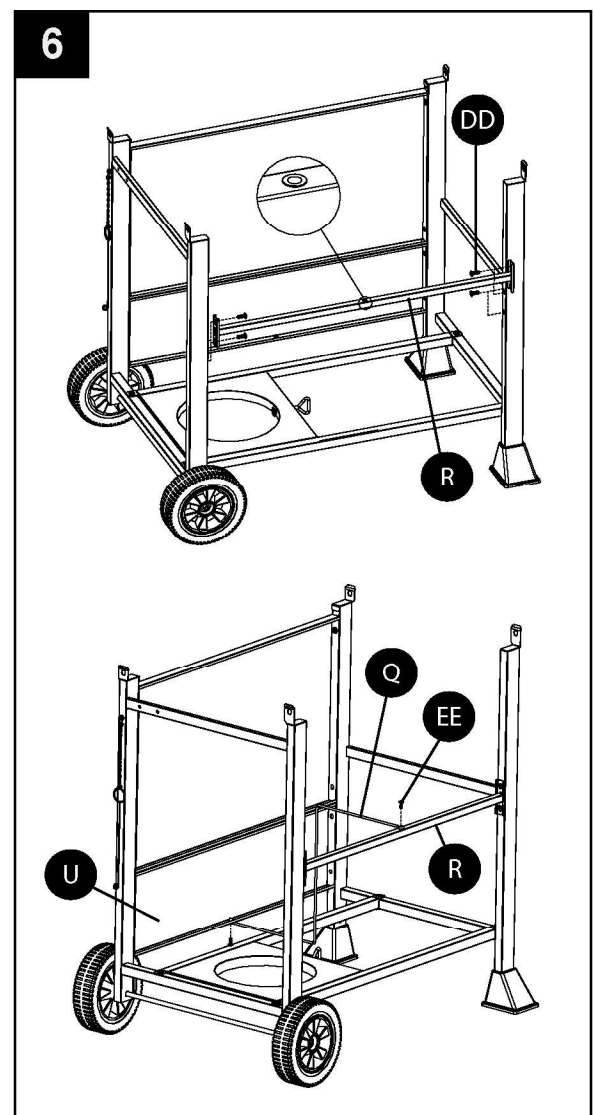


6. Utilice cuatro tornillos M6x16 (DD) para sujetar el soporte del carrito trasero (R) al montaje de la pierna izquierda y derecho, tenga en cuenta que la dirección del soporte del carrito trasero (R), y el lado con la tuerca de remache en el medio deben estar hacia arriba. Y a continuación, utilice dos tornillos M5x12 (EE) para sujetar la barra de bloque de cilindros (Q) entre el panel inferior frontal del carrito (U) y el soporte del carrito trasero (R).

Aditamentos utilizados

DD M6x16 Tornillo  x 4







EE M5x12 Tornillo  x 2

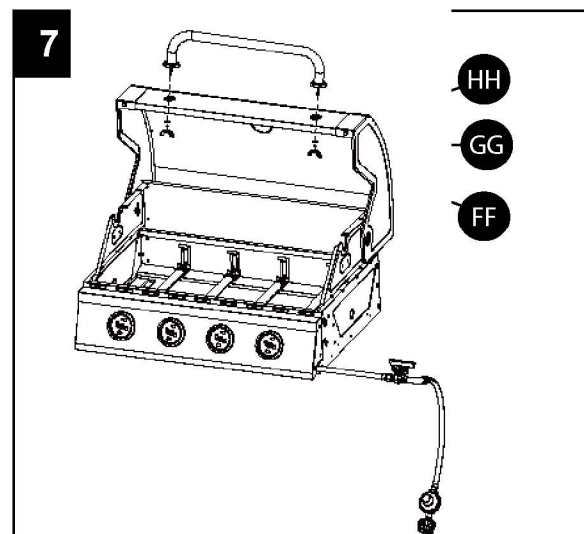


INSTRUCCIONES DE ENSAMBLAJE

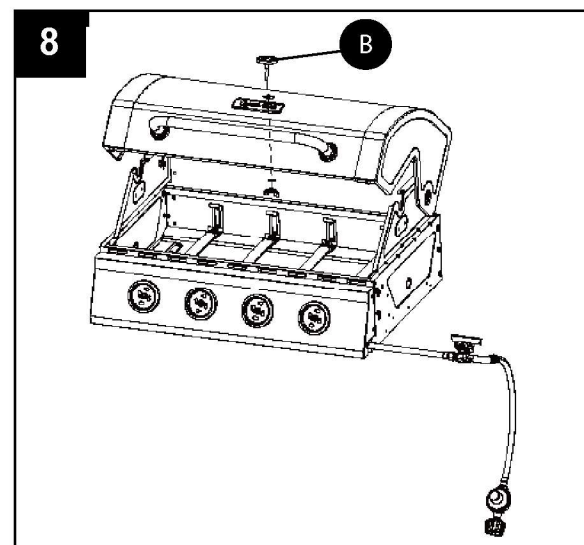
7. Ensamble el conjunto del mango de la tapa (A) a la tapadera con dos tuercas de mariposa (FF) y dos arandelas de seguridad (GG) y dos arandelas M6 (HH).

Aditamentos utilizados

	M6 Tuercas de mariposa		x 2
	M6 Arandela de seguridad		x 2
	M6 Arandela		x 2



8. Ensamble el indicador de temperatura (B) en la tapa. Por favor usar la arandela y tuerca mariposa pre ensamblada con el medidor de temperatura para instar dicho medidor de temperatura (B) en la campana.



INSTRUCCIONES DE ENSAMBLAJE

9. Ensamble el conjunto del cuerpo de la parrilla (C) en el conjunto del carro con cuatro tornillos M6x16 (DD).

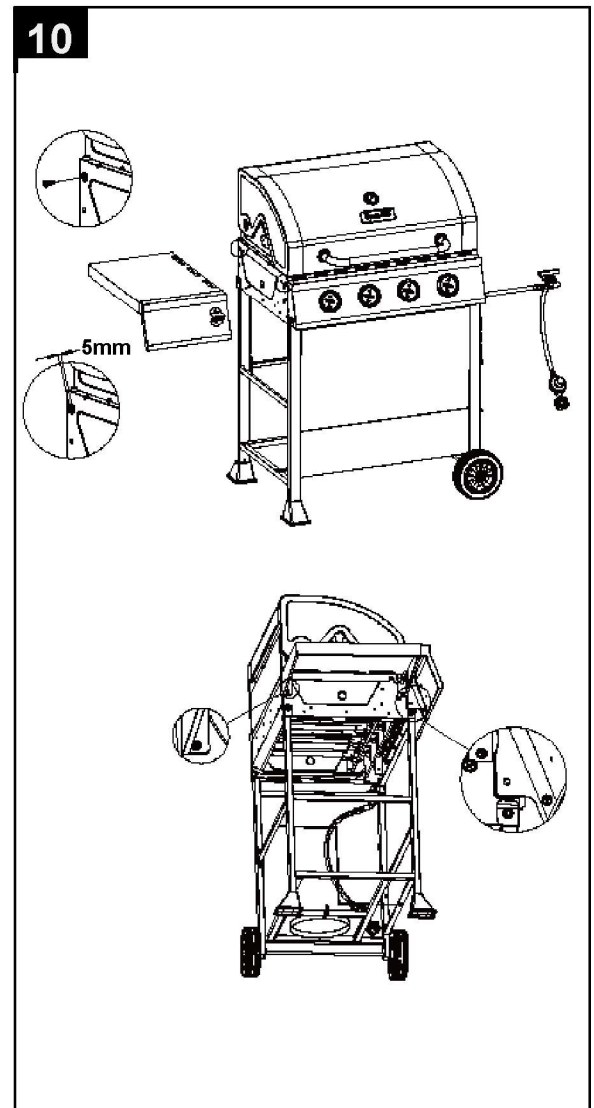
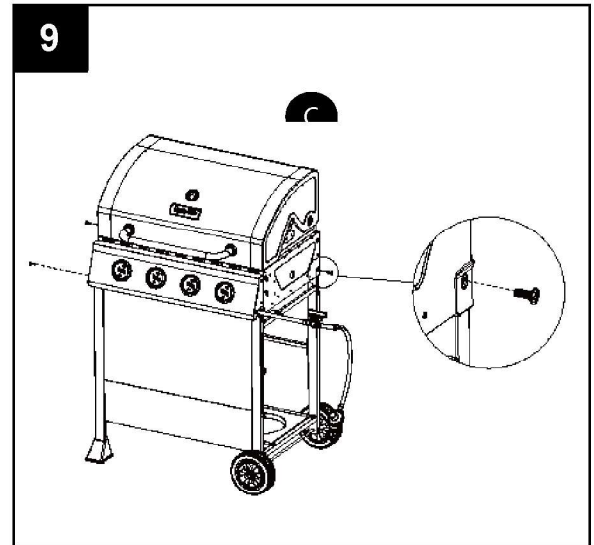
Aditamentos utilizados

DD M6x16 Tornillo  x 4

10. Pre-ensamblar dos tornillos M6x16 (DD) en el cuerpo de la parrilla (C) y no los apriete y asegúrese de dejar un espacio de 5 mm entre la tapa del extremo del cuerpo y la parrilla. Luego coloque el conjunto de la mesa lateral izquierda (J) en los tornillos y apriete el conjunto de la mesa lateral izquierda (J) con tres tornillos M6x16 (DD) y apriete todos los tornillos.

Aditamentos utilizados

DD M6x16 Tornillo  x 5

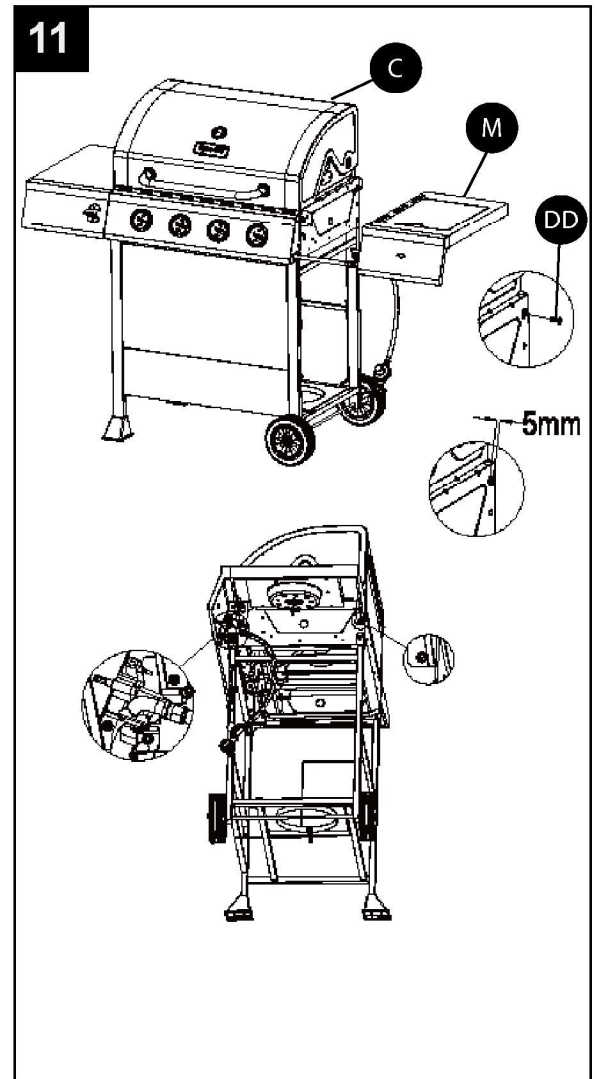


INSTRUCCIONES DE ENSAMBLAJE

11. Instale 2 M6x16 (DD) tornillos al lado derecho del cuerpo de la parrilla (C) como se muestra, dejando 5 mm de roscas expuestas, alinee el agujero clave en conjunto de la mesa lateral izquierda (M) a los 2 tornillos apenas instalados en el cuerpo de la parrilla (C), e instalar otros 3 M6x16 (DD) tornillos en los agujeros que quedan en el cuerpo de la parrilla (C). Ajuste la mesa del lado derecho (M) correctamente y apriete todos los tornillos.

Aditamentos utilizados

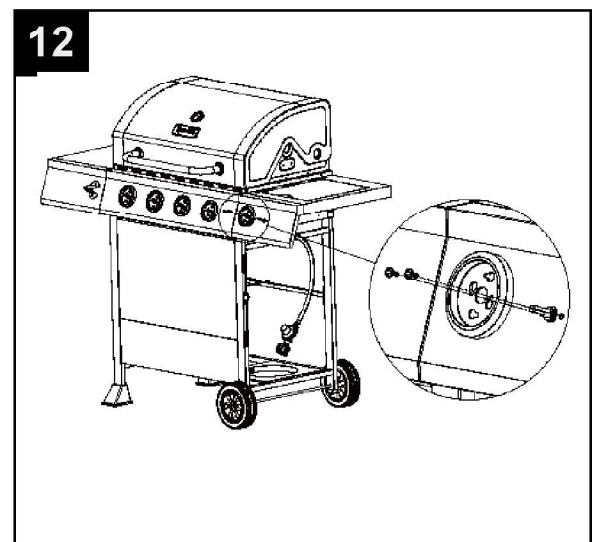
DD M6x16 Tornillo  x 5



12. Utilice dos tornillos M4x10 (II) para ensamblar el conjunto de la válvula del quemador lateral y el bisel perilla de control (N) al cuerpo del quemador lateral derecho.

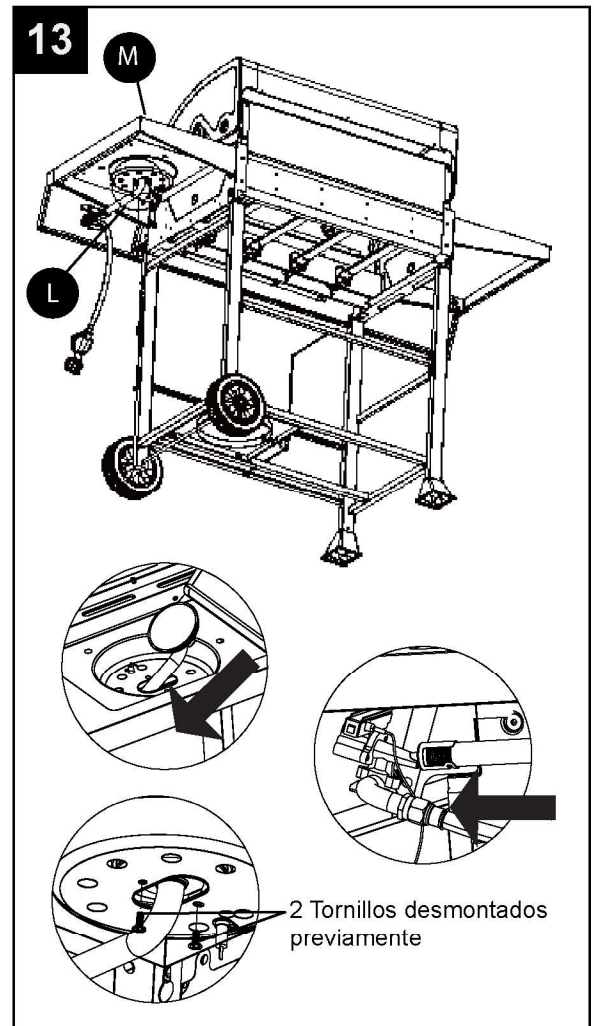
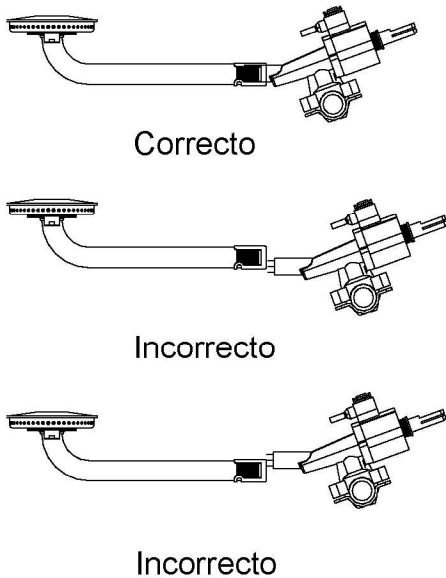
Aditamentos utilizados

II M4x10 Tornillo  x 2



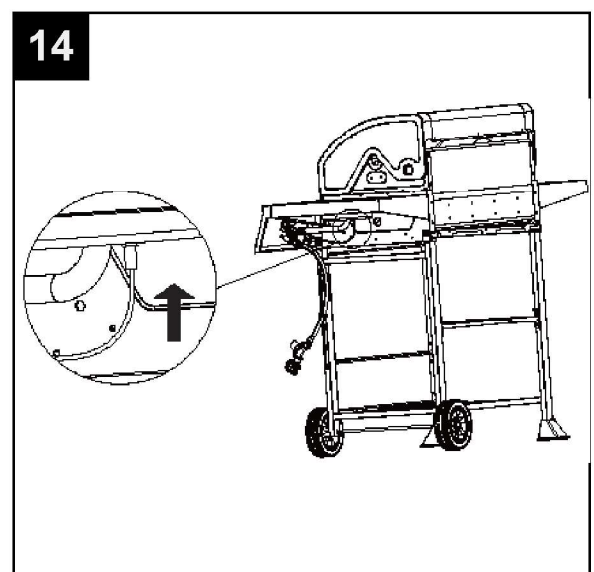
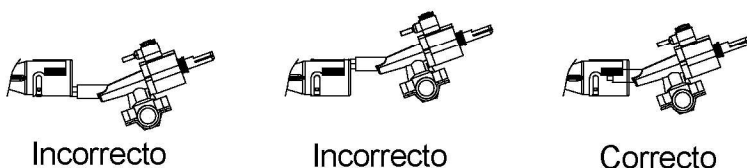
INSTRUCCIONES DE ENSAMBLAJE

13. Desmontar dos tornillos M4x10 que están pre-ensamblados en el quemador lateral (L) y use los para ensamblar el quemador lateral al cuerpo del quemador lateral (M). Por favor asegúrese el orificio de la válvula de gas este en la posición correcta dentro de la entrada del quemador lateral (venturi).



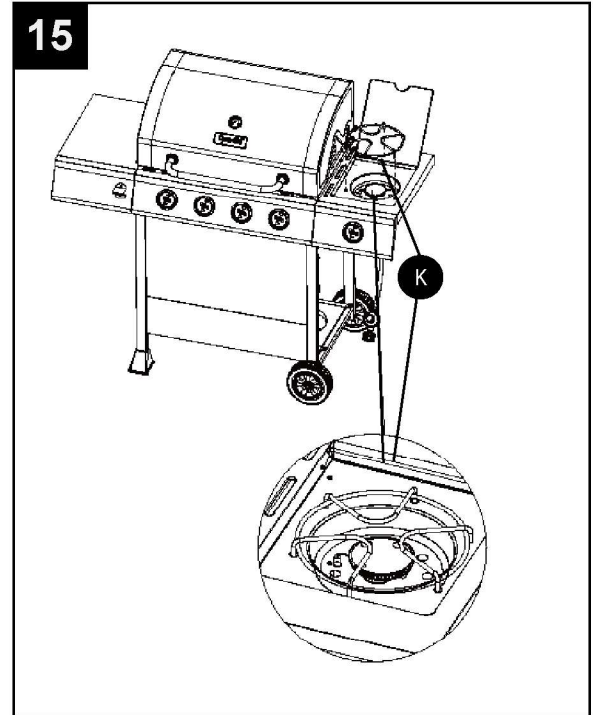
14. Conecte el cable de chispa del quemador lateral al sparker del quemador lateral.

⚠ ADVERTENCIA: ES MUY IMPORTANTE PARA COMPROBAR Y ASEGURAR QUE CADA QUEMADOR ESTÁ PLENAMENTE COMPROMETIDA CON LA VÁLVULA ADYACENTE ORIFICIO ANTES DE COMPLETAR EL PASO 15. NO HACERLO DE MAYO PROVOCAR UN INCENDIO O EXPLOSIÓN, POSIBLEMENTE CAUSAR GRAVES LESIONES O MUERTE. CONSULTE EL MANTENIMIENTO INSTRUCCIONES PARA SECCIÓN APROPIADAMENTE REVISÉ EL COMPROMISO.

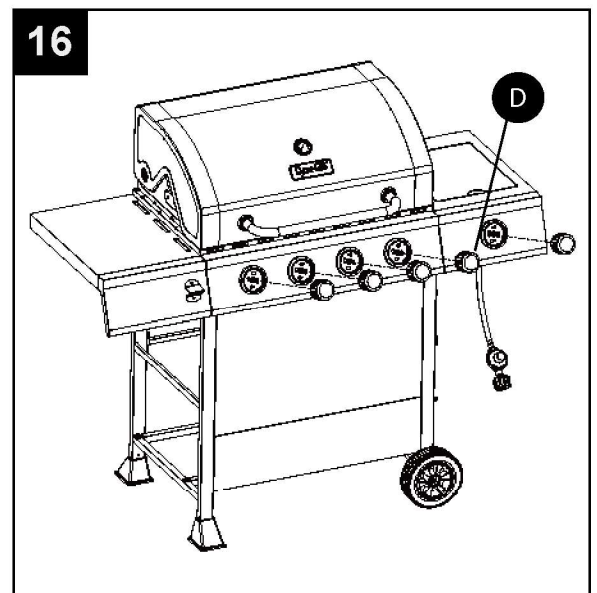


INSTRUCCIONES DE ENSAMBLAJE

15. Coloquela rejilla del quemador lateral (K) en su lugar.

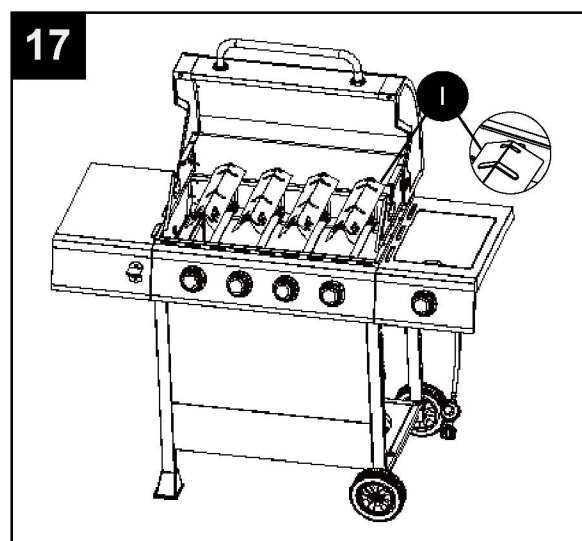


16. Ensamble los cinco botones de control (D).

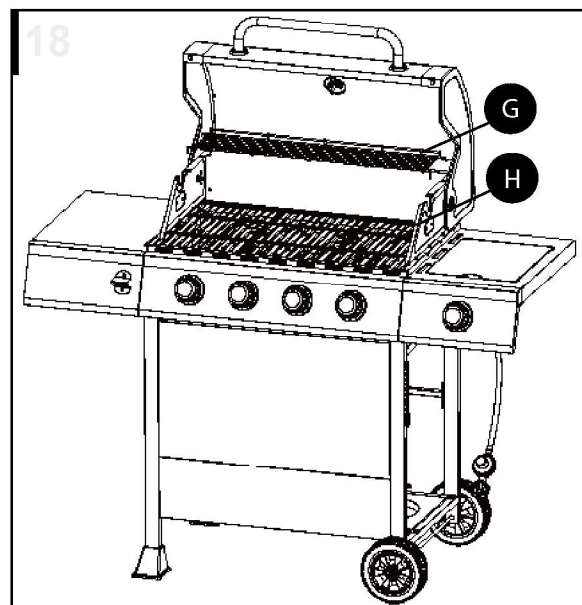


INSTRUCCIONES DE ENSAMBLAJE

17. Ponga las cuatro tiendas de calor (I) en su lugar sobre cada hornilla.

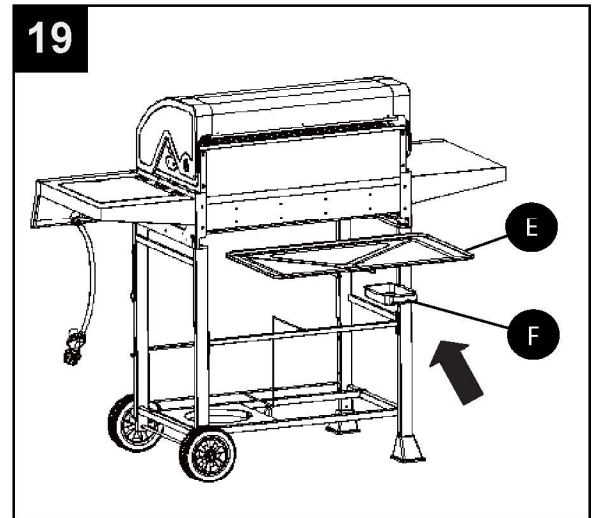


18. Ponga las tres parrillas de cocción (G) y la rejilla para calentar (H) en su lugar.



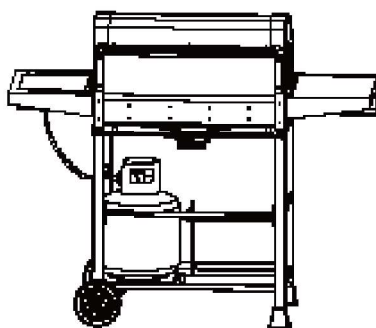
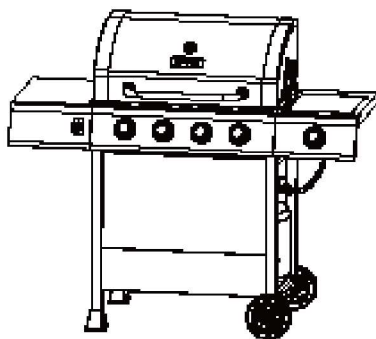
INSTRUCCIONES DE ENSAMBLAJE

19. Ensamble la bandeja de grasa (E) y la gaveta para grasa (F).

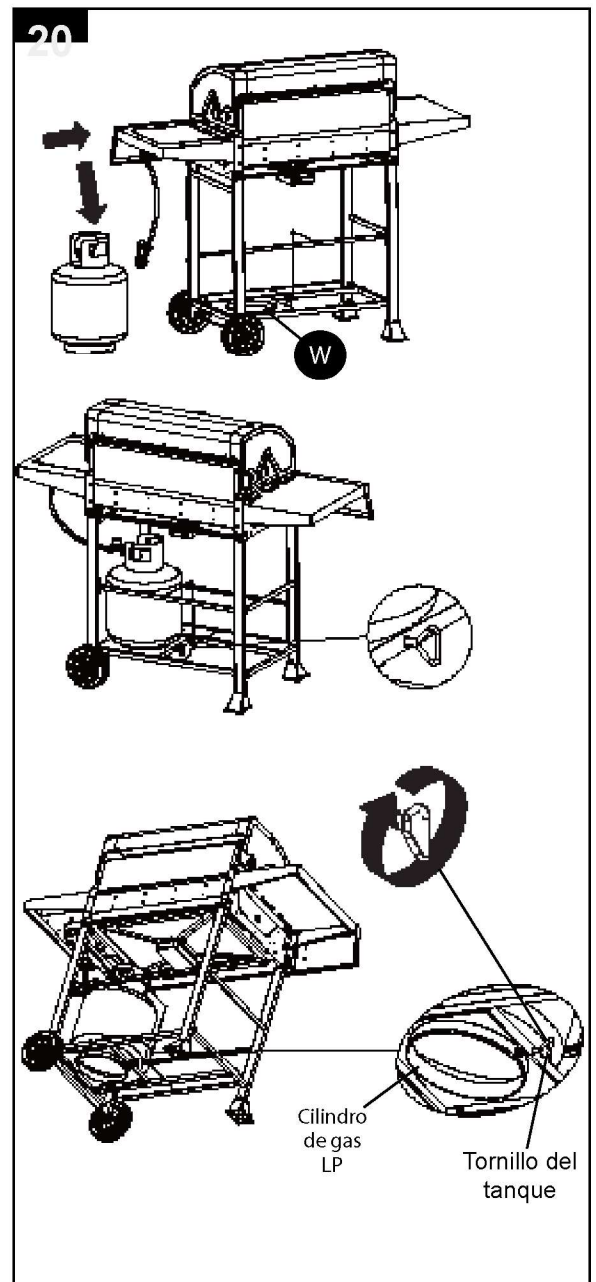


20. El lugar cilindro de gas (se vende por separado) en el agujero de encaje situado en el estante inferior (W). Gire el cilindro de gas hasta que el acoplamiento de la manguera / regulador de la válvula roscada del cilindro de gas LP hasta que el acoplamiento de la manguera / regulador a la válvula roscada del cilindro de gas LP.

Apriete el tornillo del tanque en la parte trasera del carro hasta que el cilindro se asegura en su estante inferior (W) del agujero de encaje del estante inferior (W).



Vista Trasera



INSTRUCCIONES DE FUNCIONAMIENTO

BÚSQUEDA DE FUGAS

Después de hacer todas las conexiones, verifique que ninguna de las conexiones y los conectores de la válvula del tanque de gas PL, la manguera de gas ni el regulador tenga fugas con una solución de agua y jabón.

Para evitar incendios o explosiones al revisar una fuga:

- Siempre realice la prueba de fuga antes de encender la parrilla.
- No fume durante la prueba de fuga.
- Siempre realice las pruebas de fugas en exteriores, en un área bien ventilada.
- No utilice ninguna fuente de llamas la realizar la prueba de fugas.
- No use la parrilla hasta que haya corregido todas las fugas.
- Si no puede corregir una fuga, desconecte el suministro de propano y llame a un proveedor de servicios de electrodomésticos a gas.

REALIZACIÓN DE UNA PRUEBA DE FUGAS

- Prepare una solución de prueba de fugas mezclando 1 parte de detergente líquido para platos y 3 partes de agua. La solución total necesaria es de aproximadamente 59,15 a 88,72 ml (2 a 3 oz). Coloque la solución para pruebas de fuga en una botella con atomizador.
- Asegúrese de que todas las perillas de control estén en la posición O APAGADO.
- Abra la válvula del tanque de gas PL.
- Rocíe la solución para pruebas de fugas en todas las conexiones y los conectores por donde circule gas. La presencia de burbujas donde se aplicó la solución para pruebas indica una fuga de gas. Si detecta fugas o huele u oye gas, cierre el tanque de gas PL inmediatamente y repare o reemplace la pieza defectuosa. No use la parrilla hasta que haya corregido todas las fugas.

⚠ PRECAUCIÓN

Use solamente el ensamble del regulador y la manguera incluido. Si necesita un repuesto, llame a nuestro centro de servicio al cliente. No use piezas de repuesto que no están diseñadas para esta parrilla.

⚠ ADVERTENCIA

TODAS LAS INSTRUCCIONES Y PRECAUCIONES EN ESTA PÁGINA DEBE SEGUIR PARA EVITAR UN INCENDIO, DAÑOS Y / O LESIONES.

INSTRUCCIONES DE FUNCIONAMIENTO

CONEXIÓN DEL CILINDRO DE GAS

El cilindro de suministro de gas propano que se utilizará debe estar fabricado y marcado según las Specifications for LP-Gas Cylinders of the U.S. Department of Transportation (D.O.T.) or the National Standard of Canada, CAN/CSA-B339, Cylinders, Spheres and Tubes for Transportation of Dangerous Goods; and Commission, según corresponda; y debe incluir un dispositivo de prevención de sobrellenado homologado.

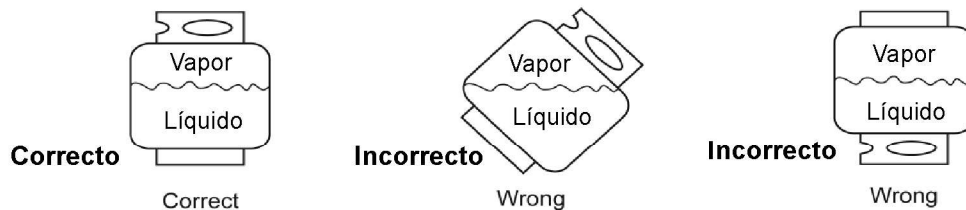
Sólo use cilindros de 9 kg (altura 46 cm, diámetro del tanque 24,99 cm, diámetro de la base: 20,40 cm) equipado con un dispositivo de conexión para el cilindro compatible con la conexión para electrodomésticos para cocinar en exteriores. El cilindro debe incluir un anillo para proteger su válvula. No debe dejar caer el cilindro de gas ni manipularlo bruscamente.

Si no utiliza el electrodoméstico, debe desconectar el cilindro de gas. Puede almacenar la unidad en el interior SÓLO si desconecta y retira el cilindro del electrodoméstico. Los cilindros se deben almacenar en el exterior, fuera del alcance de los niños, y no deben almacenarse en un edificio, garaje o cualquier otra área cerrada. El cilindro nunca se debe almacenar en lugares en que las temperaturas puedan superar los 51,6 °C.

Coloque la tapa en la salida de la válvula del cilindro cuando no esté en uso. Sólo instale el tipo de tapa que se proporciona con la válvula del cilindro en la salida de la válvula del cilindro. Otros tipos de tapas o taponos pueden causar una fuga de propano.

Antes de la conexión, asegúrese de que no haya suciedad en la salida del cilindro de gas, la salida de la válvula del regulador o en la salida y los orificios de los quemadores. Conecte la válvula del regulador y apriete firmemente con la mano. Mantenga la válvula del cilindro de propano cerrada y desconecte el cilindro de propano de la válvula del regulador cuando no use la parrilla.

NO obstruya el flujo del aire de combustión y del aire de ventilación a la parrilla. El cilindro de propano debe estar arreglado para extracción de vapor y equipado con un dispositivo de prevención de sobrellenado homologado. Coloque el cilindro en la orientación correcta para realizar la extracción de vapor. NOTA: El cilindro debe estar completamente vertical para que el cilindro sólo tenga extracción de vapor.



⚠ PRECAUCIÓN

- No almacene un cilindro de gas PL de reserva debajo o cerca de este electrodoméstico.
- Nunca llene el cilindro a más del 80% de su capacidad.
- Si no sigue con precisión la información en (a) y (b), puede provocar un incendio que produzca lesiones graves o la muerte.

INSTRUCCIONES DE FUNCIONAMIENTO

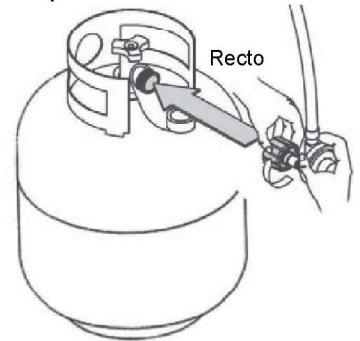
NOTA: Es posible que otros cilindros sean aceptables para su uso con este electrodoméstico si es que son compatibles con el orificio de alojamiento y los medios de retención del electrodoméstico. Consulte el Paso 20 de las Instrucciones de ensamblaje para conocer la conexión correcta del cilindro al soporte del cilindro.

⚠ ADVERTENCIA

SE DEBEN SEGUIR TODAS LAS INSTRUCCIONES Y MEDIDAS DE SEGURIDAD DE ESTA PÁGINA PARA EVITAR INCENDIOS, DAÑOS Y/O LESIONES.

CONEXIÓN DEL TANQUE DE GAS PROPANO

1. La perilla del tanque de gas propano debe estar cerrada. Asegúrese de girar la perilla en sentido de las manecillas del reloj ↻ hasta que se detenga por completo. Se debe adaptar el sistema de suministro del cilindro para la extracción de vapores.
 2. Verifique que la perilla de control en la unidad de control esté apagada.
 3. Retire la tapa protectora de la válvula del tanque de gas propano y la tuerca del conector.
 4. Sostenga el regulador con una mano e inserte la boquilla en la salida de la válvula. Asegúrese de que la boquilla esté centrada en la salida de la válvula. La tuerca del conector se conecta a las roscas externas grandes en la salida de la válvula. Tenga cuidado, no dañe las roscas de la conexión.
 5. Apriete a mano la tuerca del conector en sentido de las manecillas del reloj ↻ hasta que se detenga por completo. Apriete bien, a mano solamente. No use herramientas.
- Para desconectar: Cierre completamente la válvula del tanque girándola de las manecillas del reloj ↻. Gire la tuerca de acoplamiento contraria a las manecillas del reloj ↻ hasta que el regulador se separe de montaje.



⚠ ADVERTENCIA

En el proceso de conexión, asegúrese de que:

- El conector de entrada del regulador coincida con la salida de la válvula del cilindro de manera correcta, segura y firme, y;
- La manguera de gas propano no entre en contacto ni permanezca en contacto con la cámara de combustión.

INSTRUCCIONES DE FUNCIONAMIENTO

Encender la parrilla

Antes del primer uso:

Retire todos los ahorcamientos o correas de plástico, si está presente. Antes de cocinar en la parrilla de gas nuevo, es importante para limpiar su parrilla con el calor. Para ello, utilice el grill durante unos 15 minutos con la tapa cerrada y el botón de control en la posición más alta. Esto va a limpiar las partes internas de la quema de los residuos y el olor del proceso de fabricación.

⚠ PRECAUCIÓN

Si la llama se apaga de manera accidental durante el encendido o el funcionamiento, CIERRE la válvula del cilindro y la perilla de control de inmediato.

⚠ ADVERTENCIA

No se incline sobre la parrilla al encenderla. Lea las instrucciones antes de encender la parrilla.

1. Verifique que las perillas de control están en la posición de apagado.
2. Abra completamente la válvula del tanque girándola en dirección contraria a las manecillas del reloj.
3. Abra la tapa durante el encendido.
4. Presione y gire la perilla de control en dirección contraria a las manecillas del reloj desde la posición de apagado , pasando por la posición de encendido hasta la posición alta . Puede ser necesario repetir este paso varias veces para encender el quemador.
Si no se enciende después de 5 segundos, apague el control, espere 5 minutos y repita el procedimiento de encendido.

Si el quemador continúa sin encenderse, verifique que el cilindro tiene gas y siga las instrucciones de encendido con fósforos. Consulte la guía de solución de problemas en la página 83 para obtener más información.

INSTRUCCIONES DE FUNCIONAMIENTO

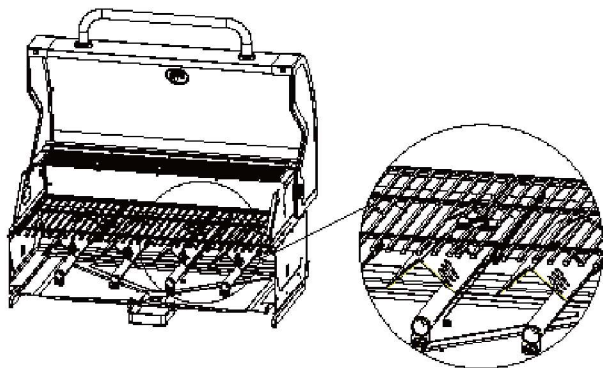
ENCIENDA CON LA CADENA DE ENCENDIDO MANUAL

1. Abra la tapa.
2. Coloque un fósforo en el extremo del contenedor de fósforos instalado en el ensamblado de la pata derecho.
3. Encienda el fósforo.
4. Inmediatamente introduzca el fósforo encendido en el orificio de 1,91 cm (0,75") del costado del cuerpo de la parrilla que esté más cerca del quemador que desea encender. Asegúrese de que el fósforo encendido esté cerca de los orificios del quemador.
5. Presione la perilla de control que opera ese quemador y gírela en dirección ↻ contraria a las manecillas del reloj hasta la posición 🔥 ALTA y el quemador debería encenderse de inmediato.
6. Si se deben encender ambos quemadores, repita los pasos 2 a 5 para encender el otro quemador.
7. Ajuste los quemadores según el nivel de cocción deseado.

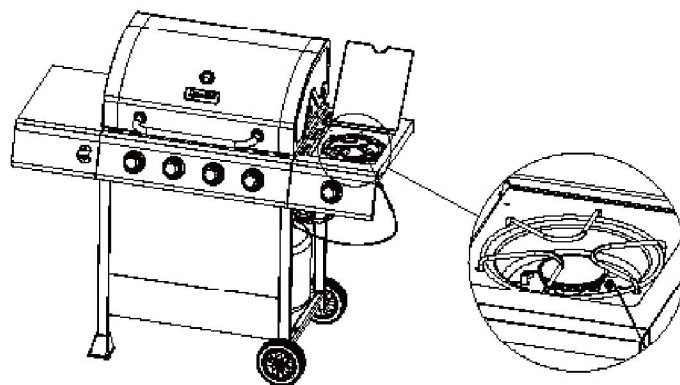
⚠ PRECAUCIÓN

Si la llama se extingue accidentalmente durante el encendido o el funcionamiento, CIERRE inmediatamente la válvula de cierre de gas manual y luego APAGUE la perilla de control.

Quemador lateral de cerillos/fósforos



Quemador principal de cerillos/fósforos



INSTRUCCIONES DE APAGADO

1. Gire las perillas de control en la ↻ dirección de las manecillas del reloj hacia la posición O Apague.
2. Cierre la válvula del tanque completamente girándola en la ↻ dirección de las manecillas del reloj.
3. Cierre la tapa.

Corte el suministro de gas propano en el cilindro cuando no utilice el electrodoméstico.

CUIDADO Y MANTENIMIENTO

REJILLAS DE COCCIÓN

El mejor momento para “quemar” la suciedad las rejillas de cocción es después de cada uso (aproximadamente 15 minutos). La parrilla ya está caliente desde la cocción, por lo tanto, requiere menos combustible para obtener la temperatura necesaria para “quemar” la suciedad.

Para “quemar” la suciedad o limpiar con calor la parrilla, gire los quemadores a la posición máxima y déjelos encendidos durante 15 minutos con la tapa cerrada. Luego apague los quemadores y use un cepillo de alambre para limpiar el exceso de residuos de alimentos de las rejillas.

Las rejillas de porcelana tienen un acabado de esmalte (similar al vidrio) y se deben manipular con cuidado para no descascararlas.

⚠ PRECAUCIÓN

Asegúrese de que la parrilla esté fría antes de limpiar y realizar mantenimiento y de que tenga el suministro de gas cortado en la válvula de cierre de gas manual.

ARTÍCULOS DE LIMPIEZA RECOMENDADOS

Detergente líquido suave para platos, agua tibia, almohadilla de limpieza de nailon, cepillo de alambre. NO use limpiadores que contengan ácido, aguarrás ni ninguna sustancia abrasiva.

SUPERFICIES EXTERIORES

Se recomienda usar sólo detergente para platos suave y agua caliente para limpiar la parrilla y sus piezas. Enjuague con agua tibia.

BANDEJA INFERIOR INTERIOR DEL CUERPO DE LA PARRILLA

Para evitar llamaradas, la bandeja inferior de la cámara de cocción se debe mantener limpia de forma regular. Retire los residuos con un cepillo, raspador y/o almohadilla de limpieza. Lave con detergente para platos suave y agua tibia. Enjuague con agua tibia. Evite salpicar agua en los tubos venturi de los quemadores.

CÁMARAS DE CALOR

Limpie los residuos con un cepillo de alambre y lave con detergente para platos suave y agua tibia.

Enjuague con agua tibia.

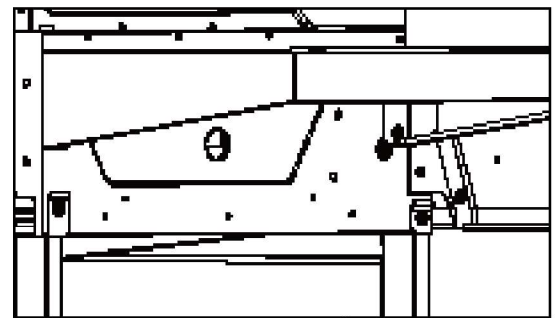
RECIPIENTE DE GRASA

Vacíe el recipiente de grasa y limpie con detergente para platos suave y agua tibia de forma regular.

VERIFICACIÓN DE LA LLAMA

Para una máxima eficiencia del combustible y rendimiento de cocción, la llama debe ser en su mayoría o totalmente de color azul y medir entre 2,54 y 5,08 cm de alto.

Para verificar la llama, vea la llama a través del orificio de encendido con fósforo en el costado de la cámara de combustión.



Agujero para ver la llama



CUIDADO Y MANTENIMIENTO

ENSAMBLE DEL QUEMADOR

EXTRACCIÓN DEL ENSAMBLE DEL QUEMADOR

1. Asegúrese de que todas las perillas de control se encuentran en la posición de OFF, que la válvula del tanque de PL está cerrada y que el tanque está desconectado del regulador y alejado de la parrilla.
2. Abra la tapa y retire la rejilla para calentar, las rejillas de cocción y las cámaras de calor.
3. Retire los pasadores de chaveta en la parte posterior de los quemadores para separar los quemadores de soportes como se ilustra en la Figura 1.
4. Deslice principales burners fuera de la cámara de combustión.
5. Separe el cable de encendido del electrodo en la Figura 2.

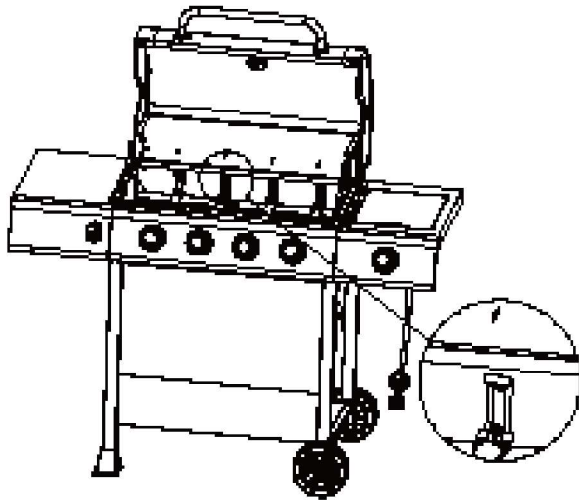


Figura 1

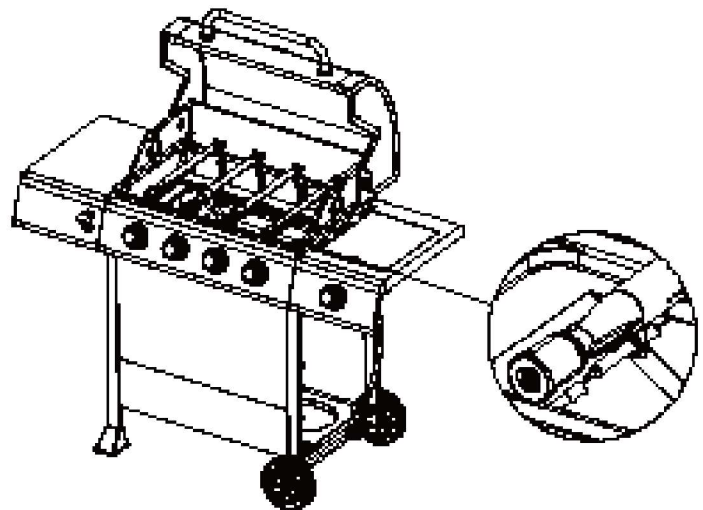


Figura 2

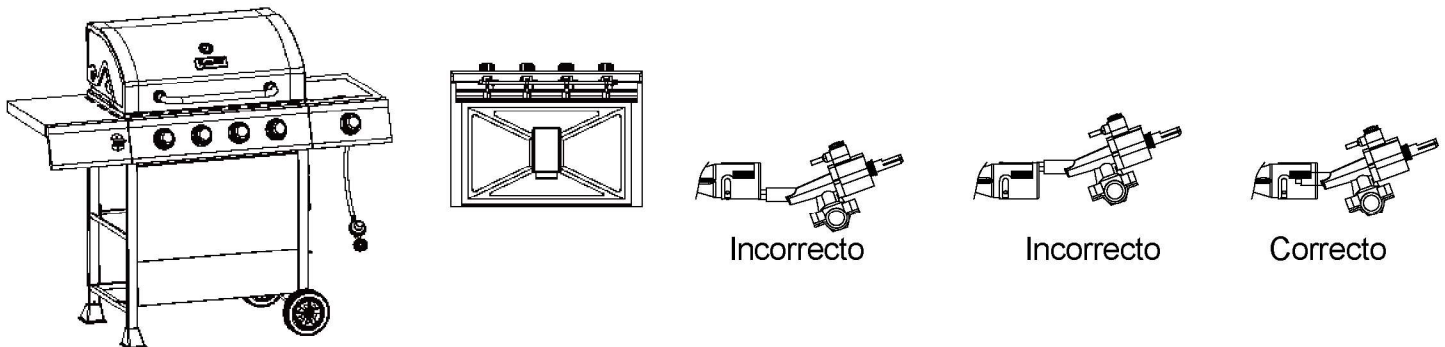
CUIDADO Y MANTENIMIENTO

LIMPIEZA DEL ENSAMBLE DEL QUEMADOR – Asegúrese de que la parrilla esté fría

1. Corte el gas en las perillas de control y en el tanque de propano.
2. Desconecte el cilindro de gas PL de la manguera y el regulador.
3. Retire la rejilla para calentar, las rejillas de cocción y las cámaras de calor.
4. Retire el quemador sacando los pasadores de chaveta de la parte posterior de los quemadores para extraerlos de la abrazadera.
5. Retire el cable de encendido del electrodo a mano solamente. NO use pinzas ni ninguna otra herramienta ya que podría dañar el electrodo o el cable.
6. Levante el quemador lentamente.
7. Asegúrese de que todos los orificios del quemador estén libres de obstrucciones. Utilizar un pasador o sujetapapeles funciona bien.
8. Asegúrese de que el quemador no tenga ningún daño. Si el quemador está dañado, reemplácelo por uno nuevo.
9. Asegúrese de que el extremo del quemador y la pantalla para aire primaria estén libres de nidos de insectos, polvo o desechos.

REINSTALACIÓN DEL QUEMADOR

Asegúrese de que los orificios estén en la posición correcta dentro de la entrada (venturi) del quemador. Es posible que necesite una linterna para garantizar la posición correcta. Se recomienda ver la posición correcta por los orificios de ventilación de la cámara de combustión como se ilustra a continuación.



Ver la posición correcta desde la parte inferior de la caja de fuego

⚠ ADVERTENCIA

Si no siguen las instrucciones que aparecen anteriormente, podría producirse un incendio o una explosión y causar lesiones graves o la muerte.

OTROS CUIDADOS Y MANTENIMIENTO

Se recomienda que un técnico calificado realice una inspección y mantenimiento anual en este electrodoméstico.

Se recomienda que verifique regularmente que no haya materiales combustibles, gasolina ni otros vapores o líquidos inflamables cerca de la zona donde está el electrodoméstico para cocción a gas para exteriores.

Se recomienda que verifique regularmente que el flujo de aire de combustión y ventilación no esté obstruido.

Se recomienda que verifique regularmente que no haya desechos en las aberturas de ventilación del compartimiento del cilindro (gabinete).

Se recomienda que verifique y limpie regularmente el quemador y los tubos venturi para que no haya nidos de insectos. Un tubo obstruido puede ocasionar un incendio debajo de la parrilla.

SOLUCIÓN DE PROBLEMAS

Si tiene preguntas relacionadas con el producto, llame al Servicio al Cliente al 1-877-447-4768, 8:30 a.m. - 4:30 p.m. CST, de lunes - viernes.

PROBLEMA	CAUSA POSIBLE	ACCIÓN CORRECTIVA
El quemador no se enciende con el procedimiento del encendedor (se genera una chispa débil o no se genera ninguna).	<ol style="list-style-type: none">1. El electrodo del encendedor puede estar cubierto de grasa o residuos.2. El electrodo del encendedor puede tener un cable suelto o desconectado.3. El electrodo del encendedor está roto o descompuesto.	<ol style="list-style-type: none">1. Limpie el electrodo del encendedor.2. Verifique la conexión y vuelva a conectar cualquier cable suelto o desconectado.3. Reemplace el electrodo del encendedor (consulte la lista de piezas de repuesto).
El calor es bajo.	<ol style="list-style-type: none">1. Hay una presión de gas insuficiente en la unidad.	<ol style="list-style-type: none">1. Llame a una agencia de servicio calificada para verificar la presión de suministro de gas y corrija la presión.
Llamaradas excesivas.	<ol style="list-style-type: none">1. Hay grasa y/o residuos acumulados en las cámaras de calor o en la cámara de combustión.2. Hay un goteo de grasa o marinado desde los alimentos.3. La temperatura de cocción es demasiado alta.	<ol style="list-style-type: none">1. Limpie los componentes de la parrilla.2. Corte la grasa de la carne y use marinados que no sean a base de aceite.3. Baje la temperatura según corresponda.

SOLUCIÓN DE PROBLEMAS

PROBLEMA	CAUSA POSIBLE	ACCIÓN CORRECTIVA
El quemador no se luz con un fósforo.	<ol style="list-style-type: none"> 1. El fósforo no alcanza los quemadores (al sostenerlo con la mano). 2. El suministro de gas está cerrado. 3. Hay una mala conexión entre el conector del tapón de la manguera de gas y el acoplador de los manguitos. 4. La entrada del quemador está bloqueada. 	<ol style="list-style-type: none"> 1. Use el soporte para fósforos que se encuentra en la puerta del gabinete. 2. Verifique que la válvula de cierre de suministro de gas manual esté abierta. 3. Apague las perillas de la parrilla, cierre la válvula de cierre de suministro de gas y verifique la conexión entre el tapón y el acoplador de los manguitos. Desconecte y vuelva a conectar, si es necesario. 4. Limpie la entrada del quemador (venturi) y el quemador como se describe en la sección Cuidado y mantenimiento de este manual.
No hay flujo de gas o un obstruido el flujo de gas.	<ol style="list-style-type: none"> 1. El suministro de gas está cerrado. 2. Hay una mala conexión entre el conector del tapón de la manguera de gas y el acoplador de los manguitos. 3. La entrada del quemador está bloqueada. 	<ol style="list-style-type: none"> 1. Verifique que la válvula de cierre de suministro de gas manual esté abierta. 2. Apague las perillas de la parrilla, cierre la válvula de cierre de suministro de gas y verifique la conexión entre el tapón y el acoplador de los manguitos. Desconecte y vuelva a conectar, si es necesario. 3. Limpie la entrada del quemador (venturi) y el quemador como se describe en la sección Cuidado y mantenimiento de este manual.

GARANTÍA LIMITADA

1 año de garantía limitada

Esta parrilla a gas natural está garantizada por 1 año (5 años en los quemadores de acero inoxidable) contra piezas rotas o dañadas desde la fecha de compra. Se garantiza que está libre de defectos. La pintura está garantizada contra defectos, salvo la oxidación, la cual puede aparecer después del uso repetido.

Esta garantía no cubre daños o problemas ocasionados por negligencia, abuso o modificaciones al electrodoméstico. Los gastos de reparación no están cubiertos.

Todas las piezas que cumplan con los requisitos de la garantía se enviarán sin cargo por el medio que decida el fabricante (envíos por tierra, correo de EE.UU. o servicios de paquetes postales ÚNICAMENTE). Cualquier otro gasto especial de manipulación (es decir, envíos de dos días, al día siguiente, etc.) será de responsabilidad del cliente.

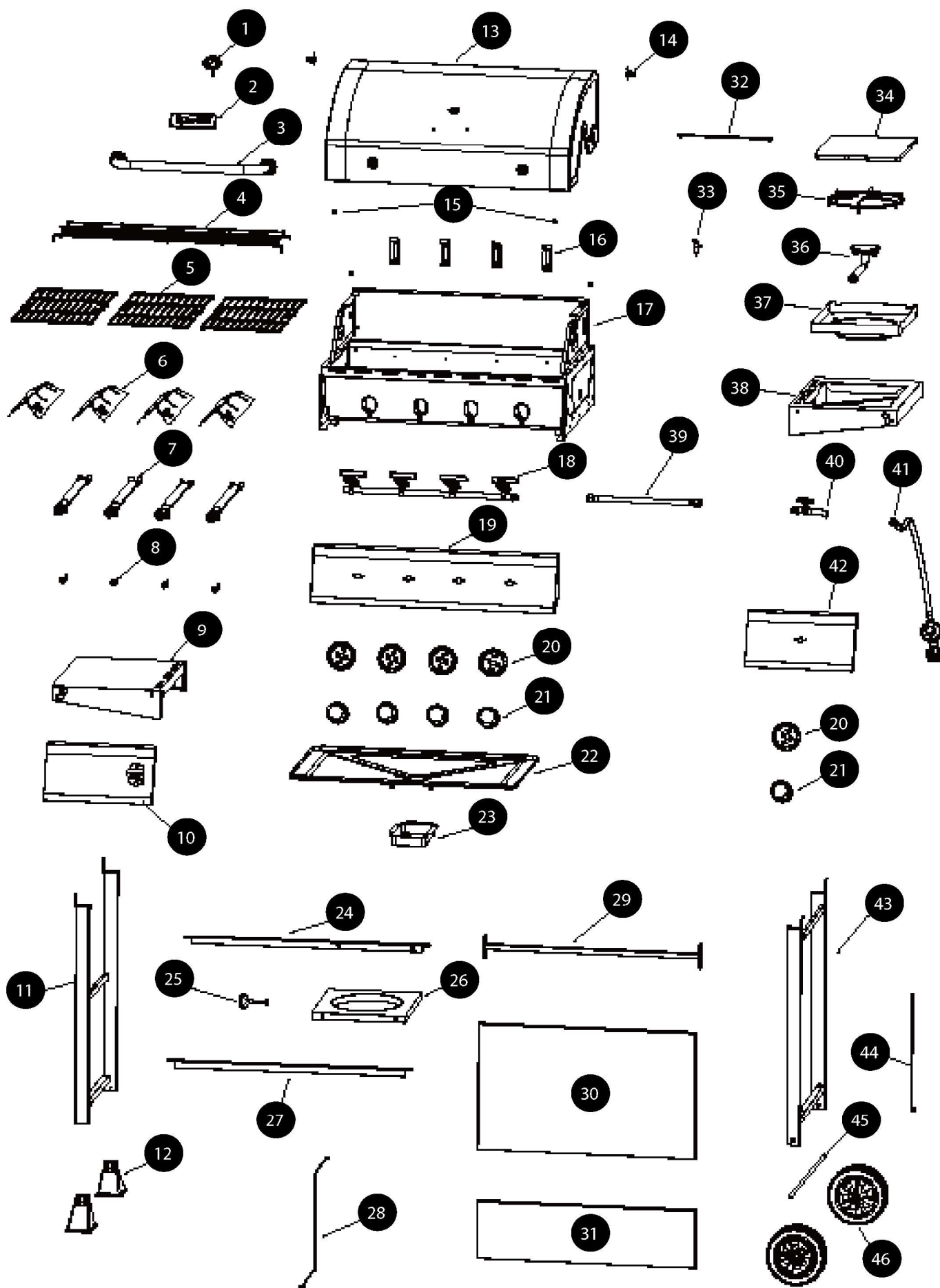
Todos las reclamaciones de garantía se aplican sólo al comprador original y requieren un comprobante de compra para verificar la fecha de la misma. No devuelva piezas sin antes obtener un número de autorización para la devolución de nuestro Servicio al Cliente. Este servicio está disponible llamando gratis al 1-877-447-4768, de 8:30 am - 4:30 pm, hora central, de lunes - viernes.

AVISO: Algunos estados no permiten la exclusión o limitación de daños accidentales o resultantes, o limitaciones en cuanto al período de duración de una garantía, de modo que las limitaciones o exclusiones anteriores pueden no aplicarse a usted. Esta garantía le otorga derechos legales específicos, pero podría tener también otros derechos legales que varían según el estado.

GHP Group Inc.
6444 W. Howard Street
Niles, IL, USA
60714-3302

Nombre del artículo: 4 quemadores de gas PL parrilla de gas con amplia estación de quemador
Modelo #: DGB494SPB/DGB495SDP/DGB495SDP-D
Clasificación de: 48,000 BTU/Hr
BTU del quemador lateral nominal: 12,000 BTU/Hr

LISTA DE PIEZAS DE REPUESTO



LISTA DE PIEZAS DE REPUESTO

Para obtener piezas de repuesto, llame a nuestro Departamento de Servicio al Cliente al 1-877-447-4768, de 8:30 am - 4:30 pm, hora central, de lunes - viernes.

PART	DESCRIPTION	PART #
1	Ensamble de medidor de tempura	70- 01- 386
2	Insignia	104-22006
3	Ensamble de la manecilla de la tapa	70 - 01 -173
4	Rejilla de calentamiento	70 - 01 -272
5	Parrilla de cocción	70 - 01 -273
6	Tienda de calor	70 - 01 -179
7	Quemador principal con el clip	70 - 01 -282
8	Sparker quemador principal	70 - 01 -283
9	Ensamble de Mesa del Lado Izquierdo	70 - 01 - 300
10	Mesa lateral izquierda con abrebotellas	70 - 01 -189
11	Montaje pierna izquierda	70 - 01 - 274
12	Tapa de extremo de la pierna	70 - 01 - 275
13	El montaje de la capilla (con placa interior) capucha	70- 01- 387
14	Bisagra (con tuerca, la arandela y el clip)	70 - 01 -285
15	Paragolpes tapa	70 - 01 - 176
16	Quemador principal y apoyo carpa de calor	70 - 01 -181
17	Montaje cuerpo - con protector de calor	70 - 01 -277
18	Principales válvulas y conjunto de colector	70 - 01- 388
19	Conjunto del panel de control	70 - 01- 389
20	Control de bisel de mando	70 - 01 - 390
21	Perilla de control	70 - 01 - 391
22	Sartén con grasa	70 - 01 - 279
23	Taza de grasa	70 - 01 - 187
24	Conjunto frontal en el soporte del estante inferior	70 - 01 -286
25	Tornillo del tanque	70 - 01 - 317
26	Estante inferior	70 - 01 - 291
27	Conjunto frontal en el soporte del estante inferior	70 - 01 - 318
28	Barra de bloque de cilindros	70 - 01 - 288
29	Soporte trasero de la compra	70 - 01 - 287
30	Cesta panel frontal - alta	70 - 01 - 289
31	Cesta panel frontal - menor	70 - 01 - 290
32	Varilla tapa del quemador lateral	70 - 01 - 265
33	Quemador lateral sparker	70 - 01 - 269
34	Tapa del quemador lateral	70 - 01 - 264
35	Estante del quemador lateral	70 - 01 - 266
36	Válvula del Quemador lateral	70 - 01 - 267
37	Bandeja del quemador lateral	70 - 01 - 268
38	Cuerpo quemador lateral derecho	70 - 01 -314
39	Manguera corrugada	70 - 01 - 194
40	Válvula lado	70 - 01 - 392
41	Conjunto del regulador y la manguera	70 - 02 - 107
42	Panel frontal quemador lateral derecho	70 - 01 - 393
43	Montaje de la pierna derecha	70 - 01 - 394
44	Titular del partido con la cadena	70 - 01 - 204
45	Eje	70 - 05 - 103
46	Rueda	70 - 05 - 104

LISTA DE PIEZAS DE REPUESTO

Para obtener piezas de repuesto, llame a nuestro Departamento de Servicio al Cliente al 1-877-447-4768, de 8:30 am - 4:30 pm, hora central, de lunes - viernes.

PART		DESCRIPTION	PART #
n/a	Paquete de hardware		70-09-502
n/a	Manual de instrucciones		70-10-563