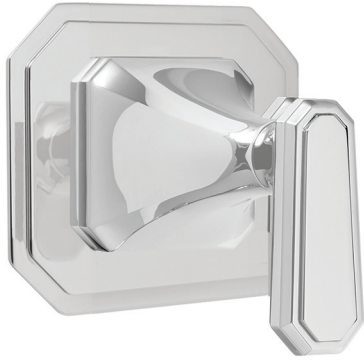




BELSHIRE™

3/2 OR 4/3 DIVERTER VALVE TRIM



- Alternates water flow between 2 or 3 discrete outlets
- 3/2 Port diverter allows for 1 inlet and 2 outlets
- 4/3 Port diverter allows for 1 inlet and 3 outlets
- 3/2 Port diverter rough valve directs water flow between 2 outlets
- 4/3 Port diverter rough valve directs water flow between 3 outlets
- 1/2" NPT inlets and outlets

CODES AND STANDARDS

Meets or Exceeds ASME A112.18.1/CSA B125.1

DESCRIPTION

- 3/2 or 4/3 Diverter Valve Trim with Lever Handle (ADA)
- 3/2 or 4/3 Diverter Valve Trim with Cross Handle
- 3/2 or 4/3 Diverter Valve Trim with Cushion Handle

PRODUCT NUMBER

- D35170430.XXX
- D35170434.XXX
- D35170437.XXX

REQUIRED COMPONENTS

- 3/2 Port Diverter Rough Valve D35000420.191
- 4/3 Port Diverter Rough Valve D35000430.191

AVAILABLE FINISHES

- Polished Chrome
- Brushed Nickel
- Platinum Nickel
- Satin Brass

FINISH CODE

- 100
- 144
- 150
- 427



Polished Chrome



Brushed Nickel



Platinum Nickel



Satin Brass

ROUGH-IN DIAGRAM
SHOWN ON NEXT PAGE

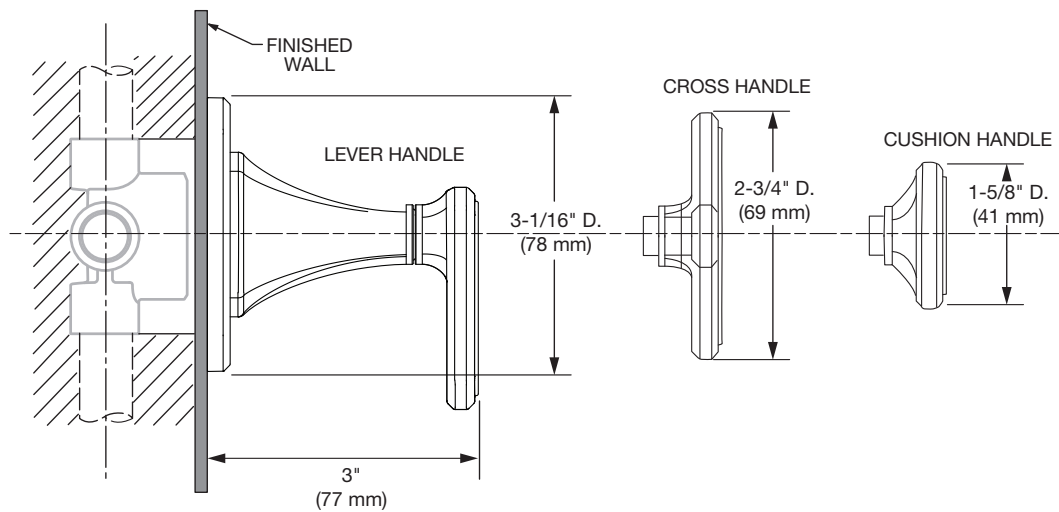


Meets the Americans with Disabilities Act Guidelines and ANSI A117.1 Requirements for the physically challenged.



BELSHIRE™

3/2 OR 4/3 DIVERTER VALVE TRIM



IMPORTANT: These measurements are subject to change or cancellation. No responsibility is assumed for use of superseded or voided pages.

PART OF LIXIL