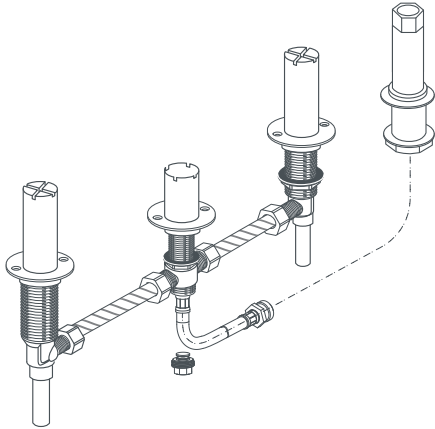


ROMAN TUB FILLER TRIM TRIM ROUGH VALVE



- Brass Construction: Durable. Ideal for prolonged contact with water.
- Ceramic Disc Valve Cartridge: Assures a lifetime of drip-free performance.
- Exclusive Handle Alignment System: Allows fine tuning of handle position.

CODES AND STANDARDS

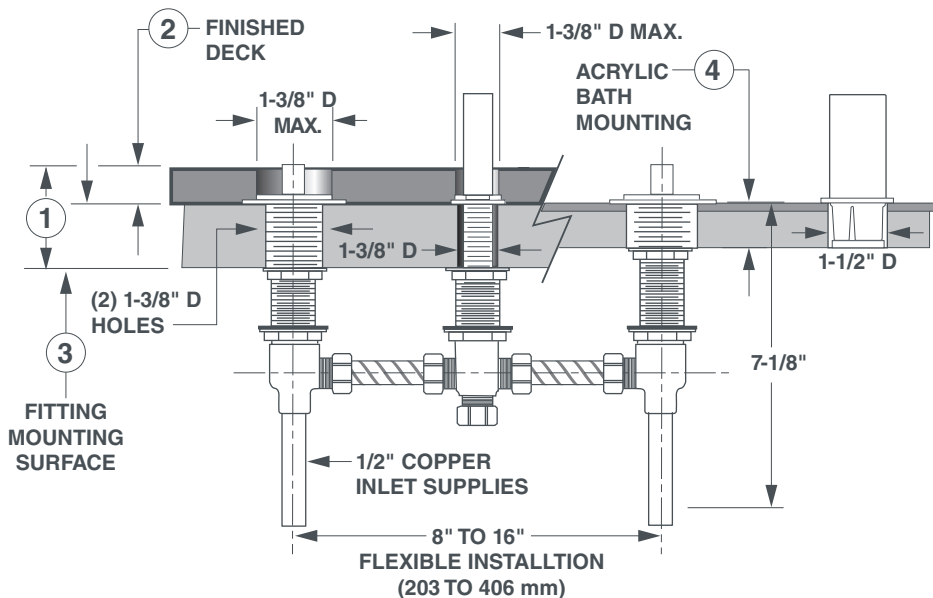
Meets or Exceeds ASME A112.18.1/CSA B125.1
Check local plumbing codes. Some installations may require a vacuum breaker.

DESCRIPTION

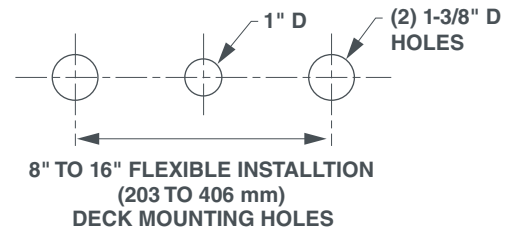
Roman Tub Filler Trim
Rough Valve

PRODUCT NUMBER

D35000910.191



- 1. DECK THICKNESS**
TOTAL DECK THICKNESS
UP TO 2-1/2"
- 2. FINISHED DECK**
FINISHED DECK VARIABILITY
ACCOMMODATES DECKING
MATERIAL (TILE, MARBLE,
CORIAN®...) TO 1" THICK
- 3. FITTING MOUNTING SURFACE**
ADJUSTABILITY, TO 1-1/2" THICK
- 4. ACRYLIC BATHS**
ADJUSTABILITY, TO 1-1/2" THICK



IMPORTANT: These measurements are subject to change or cancellation.
No responsibility is assumed for use of superseded or voided pages.

PART OF **LIXIL**