



OAK HILL[®]

GRID DRAIN



- Decorative trim cap design
- Brass material offers durable construction
- Includes tailpiece

CODES AND STANDARDS

Meets or Exceeds ASME A112.18.2/ CSA B125.2

DESCRIPTION

Grid Drain

PRODUCT NUMBER

D35155460.XXX

AVAILABLE FINISHES

Polished Chrome
Brushed Nickel
Platinum Nickel
Satin Brass

FINISH CODE

100
144
150
427



Polished
Chrome



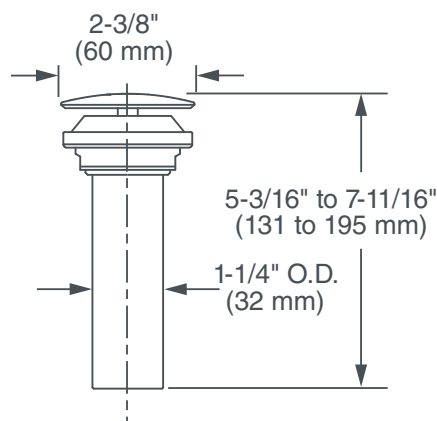
Brushed
Nickel



Platinum
Nickel



Satin
Brass



IMPORTANT: These measurements are subject to change or cancellation.
No responsibility is assumed for use of superseded or voided pages.

PART OF **LIXIL**