



DXV MODULUS™

2-HANDLE THERMOSTATIC VALVE TRIM



- 1/8" Thin profile
- Forged brass escutcheon plate
- Brass handles
- Concealed mounting hardware
- Rough-in valve sold separately

CODES AND STANDARDS

Meets or Exceeds ASME A112.18.1/CSA B125.1

- CEC and CALGreen® Compliant

DESCRIPTION

2-Handle Thermostatic Valve Trim Kit

PRODUCT NUMBER

D35120527.XXX

REQUIRED VALVE OPTIONS

2-Handle Thermostatic Rough Valve with Volume Control

D35005511.191

2-Handle Thermostatic Rough Valve with 2-Way Diverter
(Discrete Functions)

D35005522.191

2-Handle Thermostatic Rough Valve with 2-Way Diverter
(Shared Functions)

D35005522S.191

2-Handle Thermostatic Rough Valve with 3-Way Diverter
(Discrete Functions)

D35005523.191

2-Handle Thermostatic Rough Valve with 3-Way Diverter
(Shared Functions)

D35005523S.191

AVAILABLE FINISHES

Polished Chrome
Brushed Nickel
Platinum Nickel
Matte Black

FINISH CODE

100
144
150
243

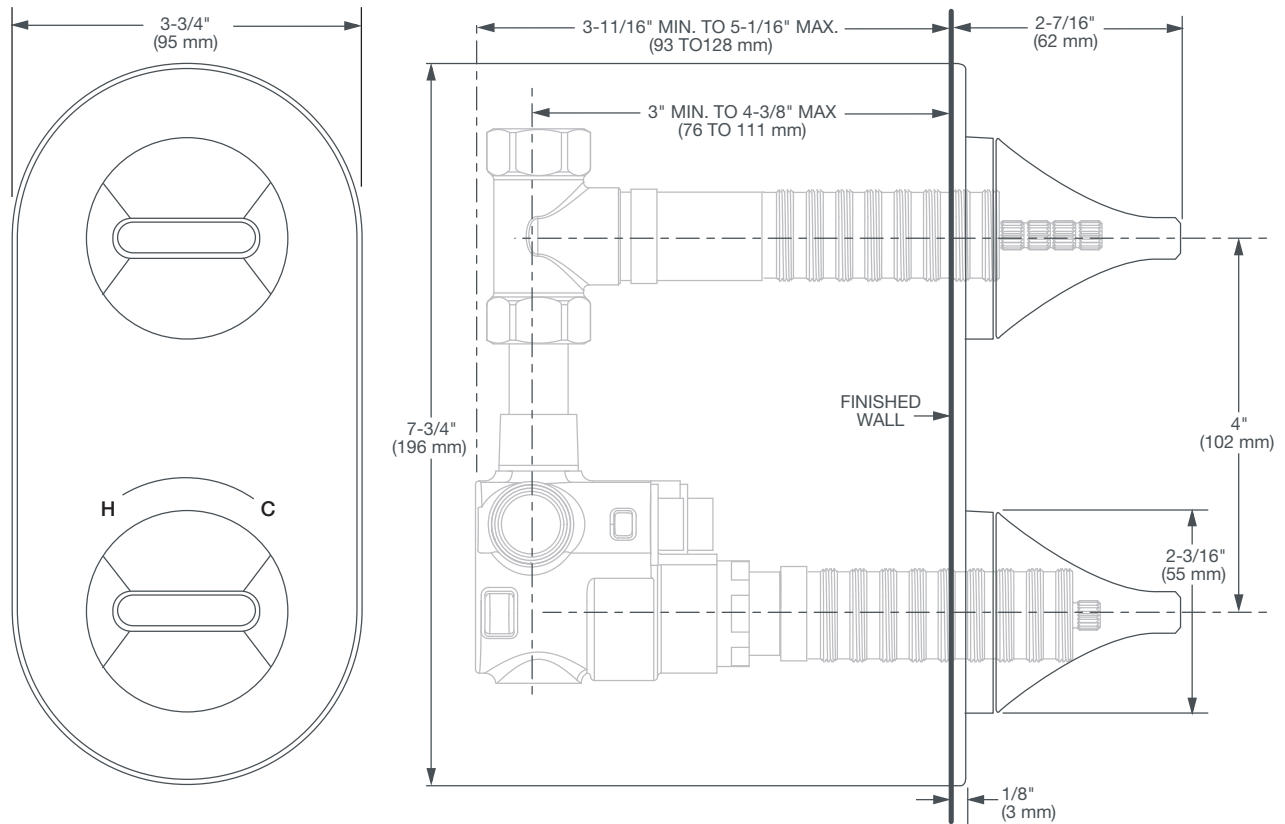
ROUGH-IN DIAGRAM
SHOWN ON NEXT PAGE

CALGreen® is a registered trademark of California Building Standards Commission.



DXV MODULUS™

2-HANDLE THERMOSTATIC VALVE TRIM



IMPORTANT: These measurements are subject to change or cancellation. No responsibility is assumed for use of superseded or voided pages.

PART OF LIXIL

©2017 AS America Inc.

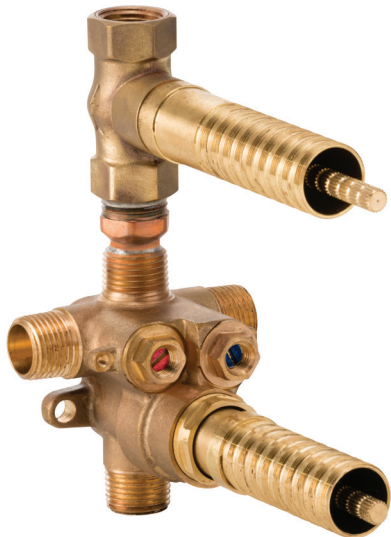
4/18

www.d xv.com



SUPER SLIM

2-HANDLE THERMOSTATIC ROUGH WITH VOLUME CONTROL



- Ceramic disc valve cartridge
- Forged brass valve body with built-in check stops
- **1 -1/2"** volume control
- 1/2" Wax thermostatic unit permits shuttle valve to move between the hot and cold seats to maintain the preselected constant water temperature
- 1/2" NPT Inlets/Outlets
- Includes Adjustable Hot Limit Safety Stop
- Maximum temperature limit is 120° F

CODES AND STANDARDS

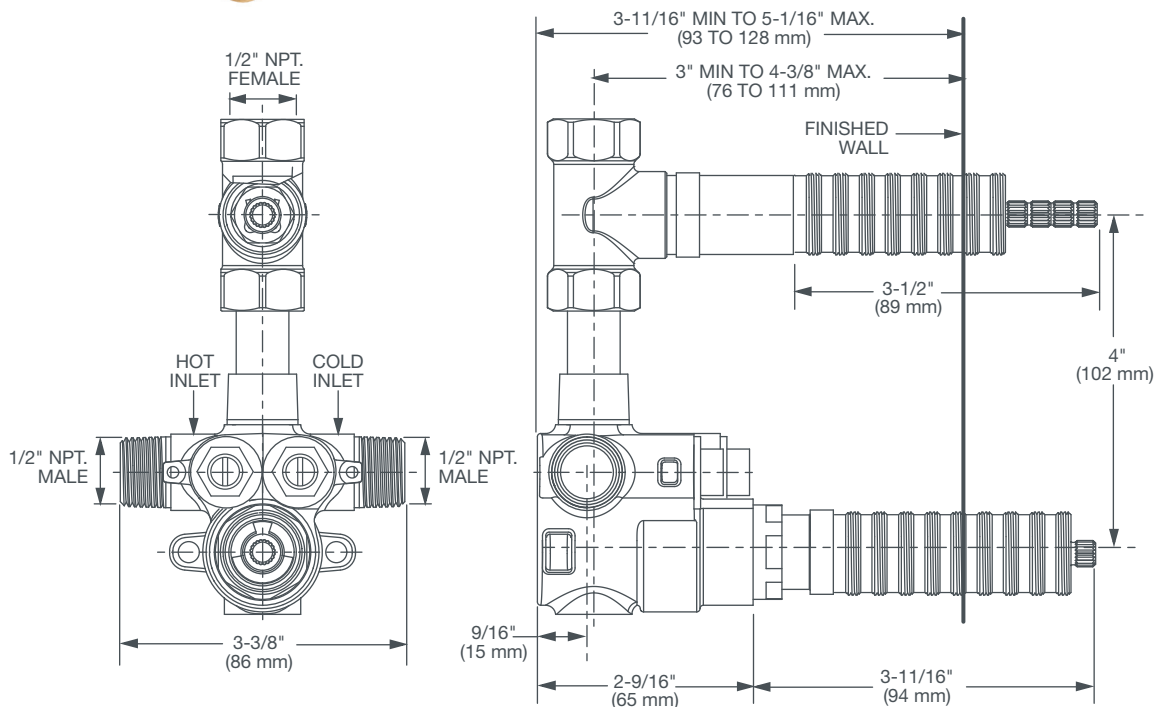
Meets or Exceeds ASME A112.18.1/CSA B125.1/ASSE 1016

DESCRIPTION

2-handle Thermostatic Rough Valve with Volume Control

PRODUCT NUMBER

D35005511.191



IMPORTANT: These measurements are subject to change or cancellation.

No responsibility is assumed for use of superseded or voided pages.

PART OF **LIXIL**

IMPORTANT: These measurements are subject to change or cancellation.

No responsibility is assumed for use of superseded or voided pages.



DXV MODULUS™

7-1/2" SHOWERHEAD



- Sleek, modern design
- Brass construction
- Showerhead can pivot
- 1/2" NPT
- Maximum flow rate: 1.8 gpm (6.8 L/min)

CODES AND STANDARDS

Meets or Exceeds ASME A112.18.1/CSA B125.1

EPA WaterSense® Certified



AVAILABLE FINISHES

Polished Chrome
Brushed Nickel
Platinum Nickel
Matte Black

FINISH CODE

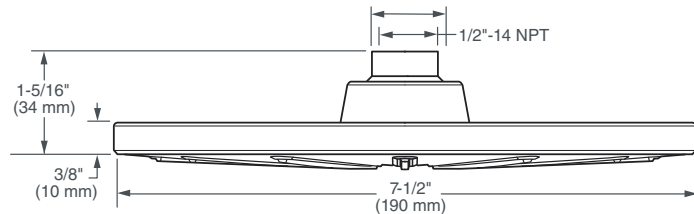
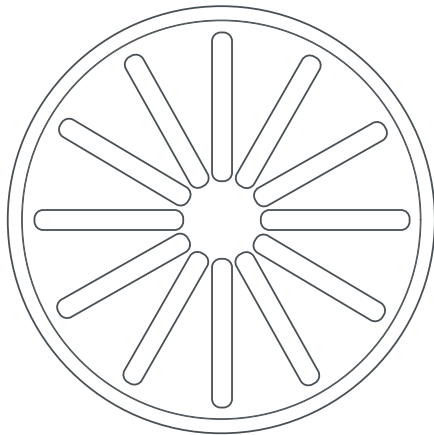
100
144
150
243

DESCRIPTION

7-1/2" Showerhead

PRODUCT NUMBER

D35120770.XXX



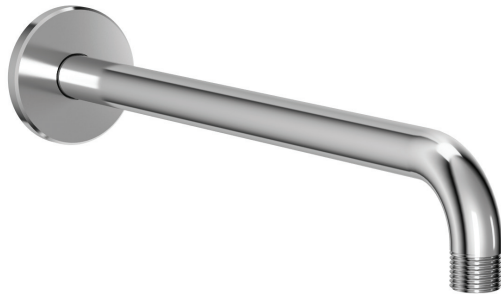
IMPORTANT: These measurements are subject to change or cancellation. No responsibility is assumed for use of superseded or voided pages.

PART OF **LIXIL**



DXV MODULUS™

12" SHOWER ARM



- Sleek, modern design with fluid and balanced proportions
- Brass material offers durable construction
- 1/2-inch NPT connection
- Wall mount installation

AVAILABLE FINISHES

Polished Chrome
Brushed Nickel
Platinum Nickel

FINISH CODE

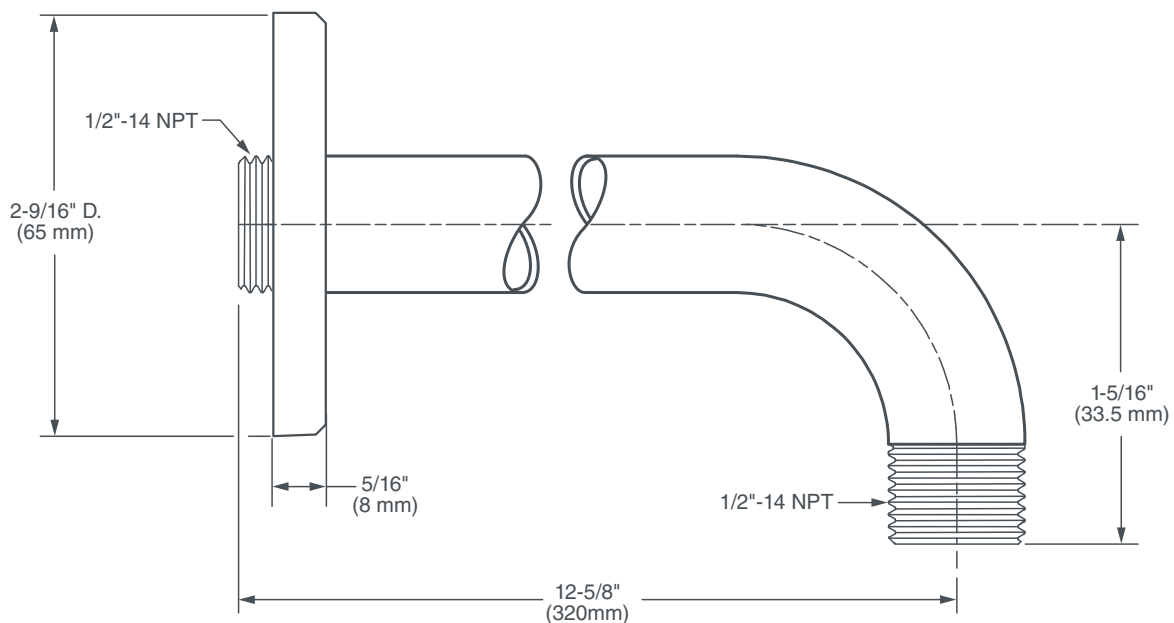
100
144
150

DESCRIPTION

12" Shower Arm

PRODUCT NUMBER

D35700317.xxx



IMPORTANT: These measurements are subject to change or cancellation.
No responsibility is assumed for use of superseded or voided pages.

PART OF **LIXIL**