



# DXV MODULUS™

## 2-HANDLE THERMOSTATIC VALVE TRIM



- 1/8" Thin profile
- Forged brass escutcheon plate
- Brass handles
- Concealed mounting hardware
- Rough-in valve sold separately

### CODES AND STANDARDS

Meets or Exceeds ASME A112.18.1/CSA B125.1

CEC and CALGreen® Compliant

### DESCRIPTION

2-Handle Thermostatic Valve Trim Kit

### PRODUCT NUMBER

D35120527.XXX

### REQUIRED VALVE OPTIONS

2-Handle Thermostatic Rough Valve with Volume Control

D35005511.191

2-Handle Thermostatic Rough Valve with 2-Way Diverter  
*(Discrete Functions)*

D35005522.191

2-Handle Thermostatic Rough Valve with 2-Way Diverter  
*(Shared Functions)*

D35005522S.191

2-Handle Thermostatic Rough Valve with 3-Way Diverter  
*(Discrete Functions)*

D35005523.191

2-Handle Thermostatic Rough Valve with 3-Way Diverter  
*(Shared Functions)*

D35005523S.191

### AVAILABLE FINISHES

Polished Chrome  
Brushed Nickel  
Platinum Nickel  
Matte Black

### FINISH CODE

100  
144  
150  
243

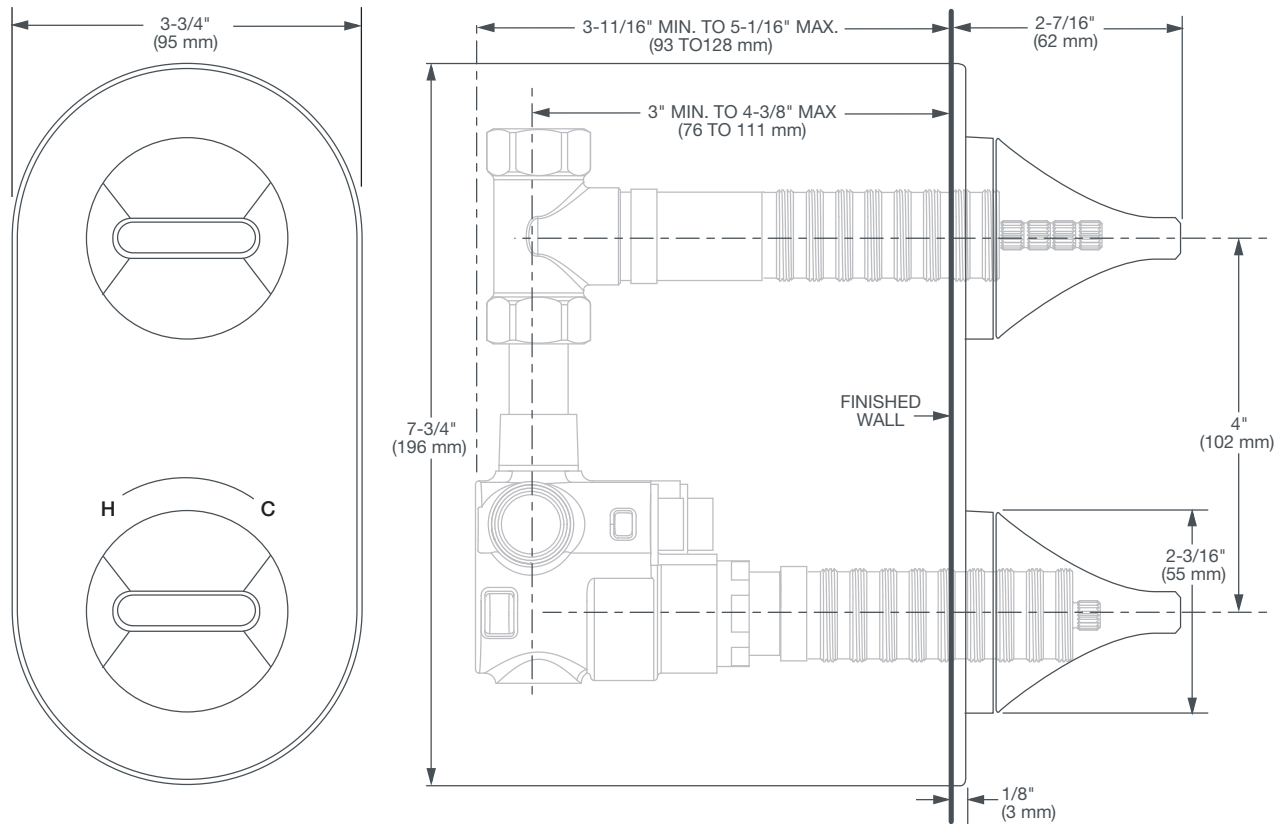
ROUGH-IN DIAGRAM  
SHOWN ON NEXT PAGE

CALGreen® is a registered trademark of California Building Standards Commission.



# DXV MODULUS™

## 2-HANDLE THERMOSTATIC VALVE TRIM



**IMPORTANT:** These measurements are subject to change or cancellation. No responsibility is assumed for use of superseded or voided pages.

PART OF LIXIL

©2017 AS America Inc.

4/18

www.d xv.com



# SUPER SLIM

## 2-HANDLE THERMOSTATIC ROUGH WITH 3-WAY DIVERTER



- Ceramic disc valve cartridge
- Forged brass valve body with built-in check stops
- 3-Way Diverter options include discrete or shared functions
- ½" Wax thermostatic unit permits shuttle valve to move between the hot and cold seats to maintain the preselected constant water temperature
- ½" NPT Inlets/Outlets
- Includes Adjustable Hot Limit Safety Stop
- Maximum temperature limit is 120°F

### CODES AND STANDARDS

Meets or Exceeds ASME A112.18.1/CSA B125.1/ASSE 1016

### DESCRIPTION

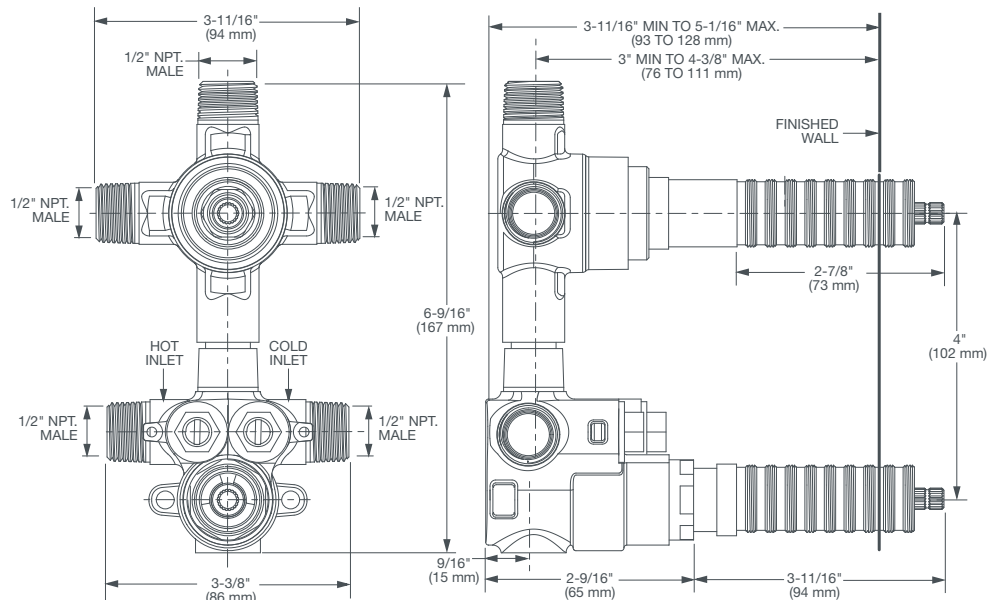
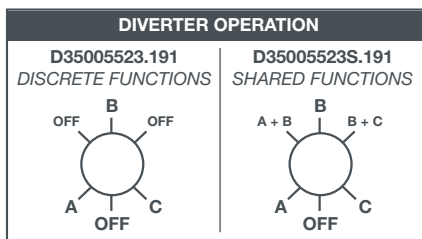
2-Handle Thermostatic Rough Valve with 3-Way Diverter  
(Discrete Functions)

### PRODUCT NUMBER

D35005523.191

2-Handle Thermostatic Rough Valve with 3-Way Diverter  
(Shared Functions)

D35005523S.191



**IMPORTANT:** These measurements are subject to change or cancellation. No responsibility is assumed for use of superseded or voided pages.

CEC and CALGreen Compliant

PART OF **LIXIL**



# DXV MODULUS™

## PERSONAL SHOWER SET WITH HAND SHOWER



- 5 ft. (1.5 m) decorative metal hose
- Contemporary single function hand shower
- Wall elbow
- 24" adjustable slide bar with bracket and metal hose
- Maximum hand shower flow rate: 1.8 gpm (6.8 L/min)
- Includes double check valves

### CODES AND STANDARDS

Meets or Exceeds ASME A112.18.1/CSA B125.1

CEC and CALGreen® Compliant

### DESCRIPTION

Personal Shower Set  
with Hand Shower

### PRODUCT NUMBER

D35120780.XXX

### AVAILABLE FINISHES

Polished Chrome  
Brushed Nickel  
Platinum Nickel  
Matte Black

### FINISH CODE

100  
144  
150  
243

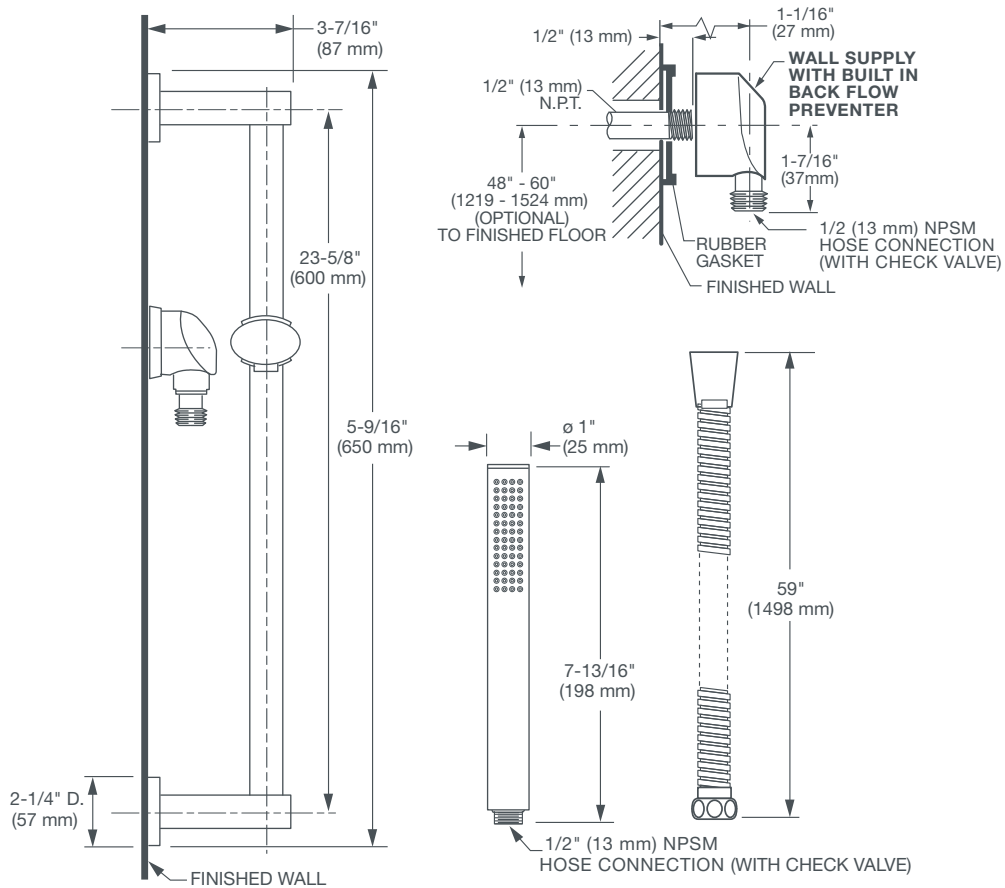
ROUGH-IN DIAGRAM  
SHOWN ON NEXT PAGE

CALGreen® is a registered trademark of California Building Standards Commission.



# DXV MODULUS™

## PERSONAL SHOWER SET WITH HAND SHOWER



**IMPORTANT:** These measurements are subject to change or cancellation.  
No responsibility is assumed for use of superseded or voided pages.

PART OF LIXIL



# DXV MODULUS™

## 7-1/2" SHOWERHEAD



- Sleek, modern design
- Brass construction
- Showerhead can pivot
- 1/2" NPT
- Maximum flow rate: 1.8 gpm (6.8 L/min)

### CODES AND STANDARDS

Meets or Exceeds ASME A112.18.1/CSA B125.1

EPA WaterSense® Certified



### AVAILABLE FINISHES

Polished Chrome  
Brushed Nickel  
Platinum Nickel  
Matte Black

### FINISH CODE

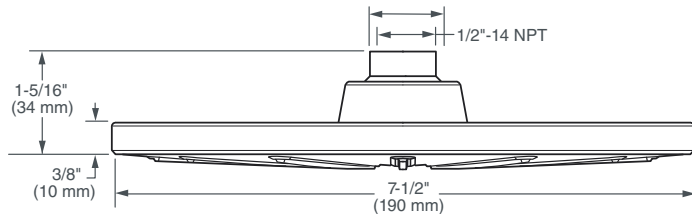
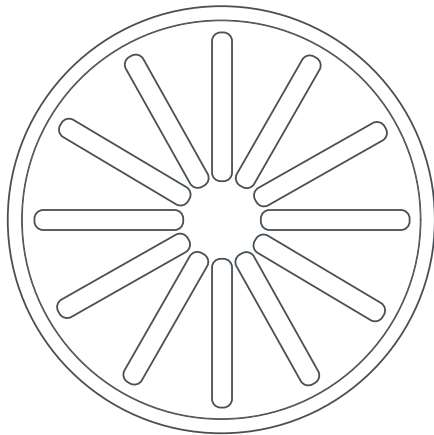
100  
144  
150  
243

### DESCRIPTION

7-1/2" Showerhead

### PRODUCT NUMBER

D35120770.XXX



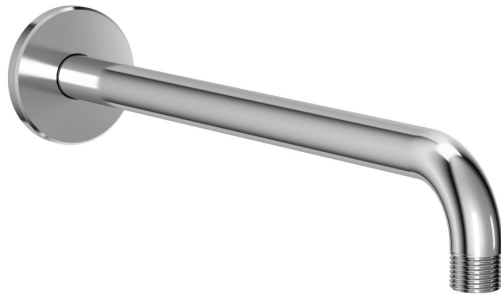
**IMPORTANT:** These measurements are subject to change or cancellation. No responsibility is assumed for use of superseded or voided pages.

PART OF **LIXIL**



# DXV MODULUS™

## 12" SHOWER ARM



- Sleek, modern design with fluid and balanced proportions
- Brass material offers durable construction
- 1/2-inch NPT connection
- Wall mount installation

### AVAILABLE FINISHES

Polished Chrome  
Brushed Nickel  
Platinum Nickel

### FINISH CODE

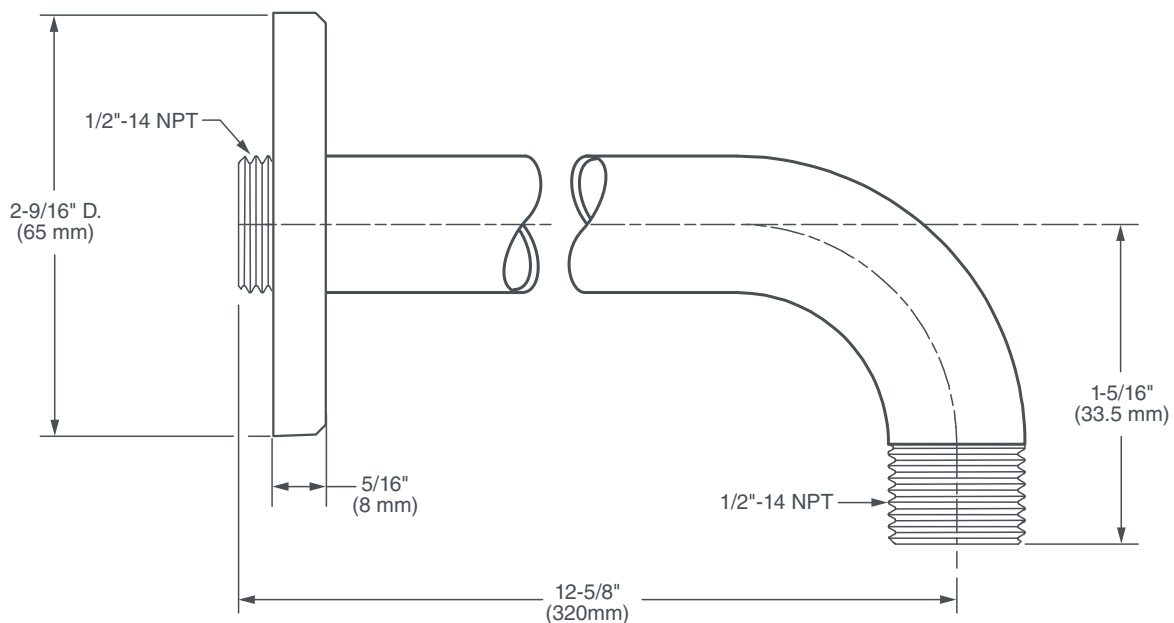
100  
144  
150

### DESCRIPTION

12" Shower Arm

### PRODUCT NUMBER

D35700317.xxx



**IMPORTANT:** These measurements are subject to change or cancellation.  
No responsibility is assumed for use of superseded or voided pages.

PART OF **LIXIL**



# DXV MODULUS™

## WALL TUB SPOUT



- Sleek, modern design with fluid and balanced proportions
- Features a decorative base ring with a two tone finish in either Polished Chrome or Brushed Nickel, depending on the Faucet finish selected
- Cast brass
- Includes 1/2 NPA adapter for 1/2 or 3/4 installations

### CODES AND STANDARDS

Meets or Exceeds ASME A112.18.1/CSA B125.1

#### AVAILABLE FINISHES

Polished Chrome  
Brushed Nickel  
Platinum Nickel  
Matte Black

#### FINISH CODE

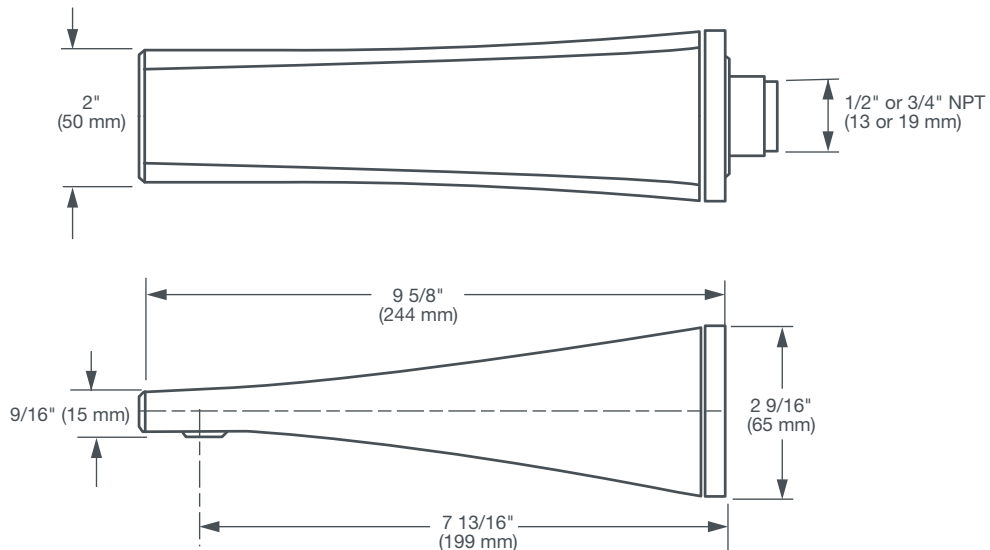
100  
144  
150  
243

#### DESCRIPTION

Wall Tub Spout

#### PRODUCT NUMBER

D35120760.XXX



**IMPORTANT:** These measurements are subject to change or cancellation. No responsibility is assumed for use of superseded or voided pages.

PART OF LIXIL