



FITZGERALD™

2-HANDLE THERMOSTATIC VALVE TRIM



- 1/8" Thin profile
- Forged brass escutcheon plate
- Brass handles
- Concealed mounting hardware
- Rough-in valve sold separately

CODES AND STANDARDS

Meets or Exceeds ASME A112.18.1/CSA B125.1

- CEC and CALGreen® Compliant

DESCRIPTION

2-Handle Thermostatic Valve Trim Kit

PRODUCT NUMBER

D35160527.XXX

REQUIRED VALVE OPTIONS

2-Handle Thermostatic Rough Valve with Volume Control

D35005511.191

2-Handle Thermostatic Rough Valve with 2-Way Diverter
(Discrete Functions)

D35005522.191

2-Handle Thermostatic Rough Valve with 2-Way Diverter
(Shared Functions)

D35005522S.191

2-Handle Thermostatic Rough Valve with 3-Way Diverter
(Discrete Functions)

D35005523.191

2-Handle Thermostatic Rough Valve with 3-Way Diverter
(Shared Functions)

D35005523S.191

AVAILABLE FINISHES

Polished Chrome

FINISH CODE

100

Brushed Nickel

144

Platinum Nickel

150

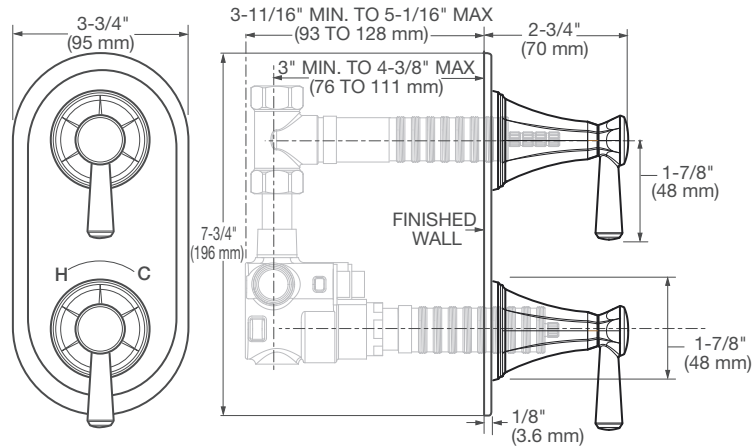
ROUGH-IN DIAGRAM
SHOWN ON NEXT PAGE

CALGreen® is a registered trademark of California Building Standards Commission.



FITZGERALD™

2-HANDLE THERMOSTATIC VALVE TRIM



IMPORTANT: These measurements are subject to change or cancellation. No responsibility is assumed for use of superseded or voided pages.

PART OF LIXIL



AMERICAN STANDARD

TRADITIONAL RAIN SHOWERHEAD



- Tiered, sculpted design
- 1/2" NPT
- Brass construction
- Showerhead can pivot
- Easy clean rubber nozzles
- Maximum showerhead flow rate: 2.5 GPM (9.5L/min)

CODES AND STANDARDS

Meets or Exceeds ASME A112.18.1/ CSA B125.1

AVAILABLE FINISHES

Polished Chrome
 Carbon Bronze (for 8" only)
 Brushed Nickel
 Platinum Nickel

FINISH CODE

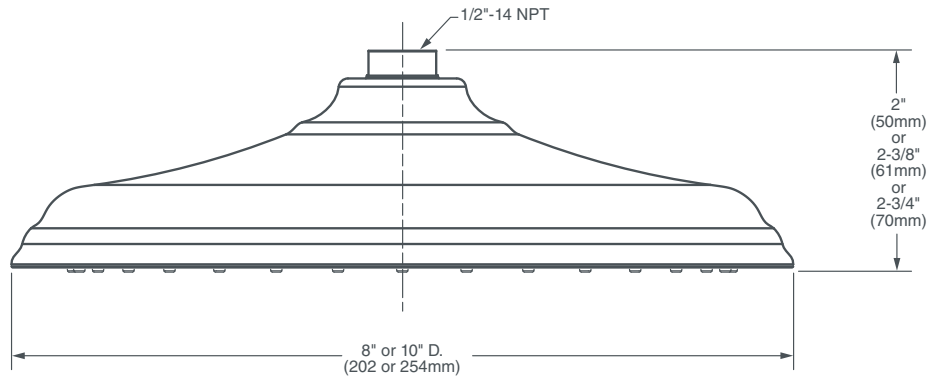
100
 110
 144
 150

DESCRIPTION

8" Traditional Rain Showerhead
 10" Traditional Rain Showerhead

PRODUCT NUMBER

D35700108.XXX
 D35700110.XXX



IMPORTANT: These measurements are subject to change or cancellation.
 No responsibility is assumed for use of superseded or voided pages.

SHEPHERD'S HOOK

SHOWER ARM

- 1/2" NPT
- Brass construction
- Compatible with all showerheads



AVAILABLE FINISHES

- Polished Chrome
- Carbon Bronze
- Brushed Nickel
- Platinum Nickel
- Satin Brass

FINISH CODE

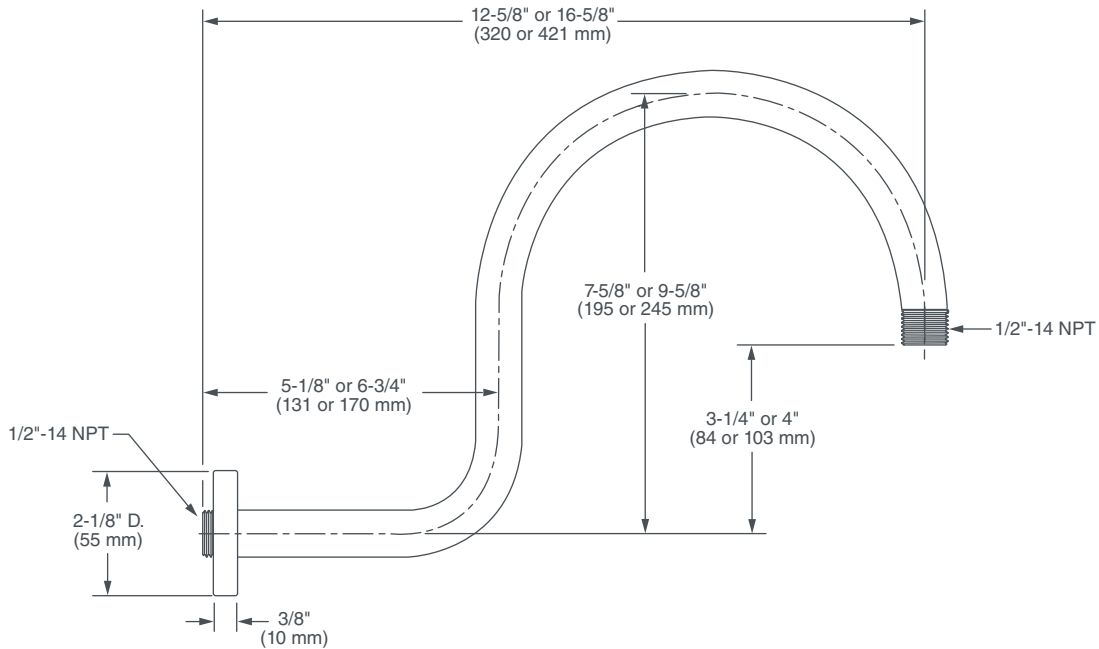
- 100
- 110
- 144
- 150
- 427

DESCRIPTION

- 12" Shower Arm
- 16" Shower Arm

PRODUCT NUMBER

- D35701312.XXX
- D35701316.XXX



IMPORTANT: These measurements are subject to change or cancellation. No responsibility is assumed for use of superseded or voided pages.



FITZGERALD™

PERSONAL SHOWER SET WITH SLIDE BAR & ELBOW



- 5 ft. (1.5 m) decorative metal hose
- Wall elbow
- 24" adjustable slide bar with bracket and metal hose
- Maximum hand shower flow rate: 1.8 gpm (6.8 L/min)
- Includes double check valves

CODES AND STANDARDS

Meets or Exceeds ASME A112.18.1/CSA B125.1

CEC and CALGreen® Compliant

DESCRIPTION

Personal Shower Set
with Hand Shower

PRODUCT NUMBER

D35160780.XXX

AVAILABLE FINISHES

Polished Chrome
Brushed Nickel
Platinum Nickel

FINISH CODE

100
144
150

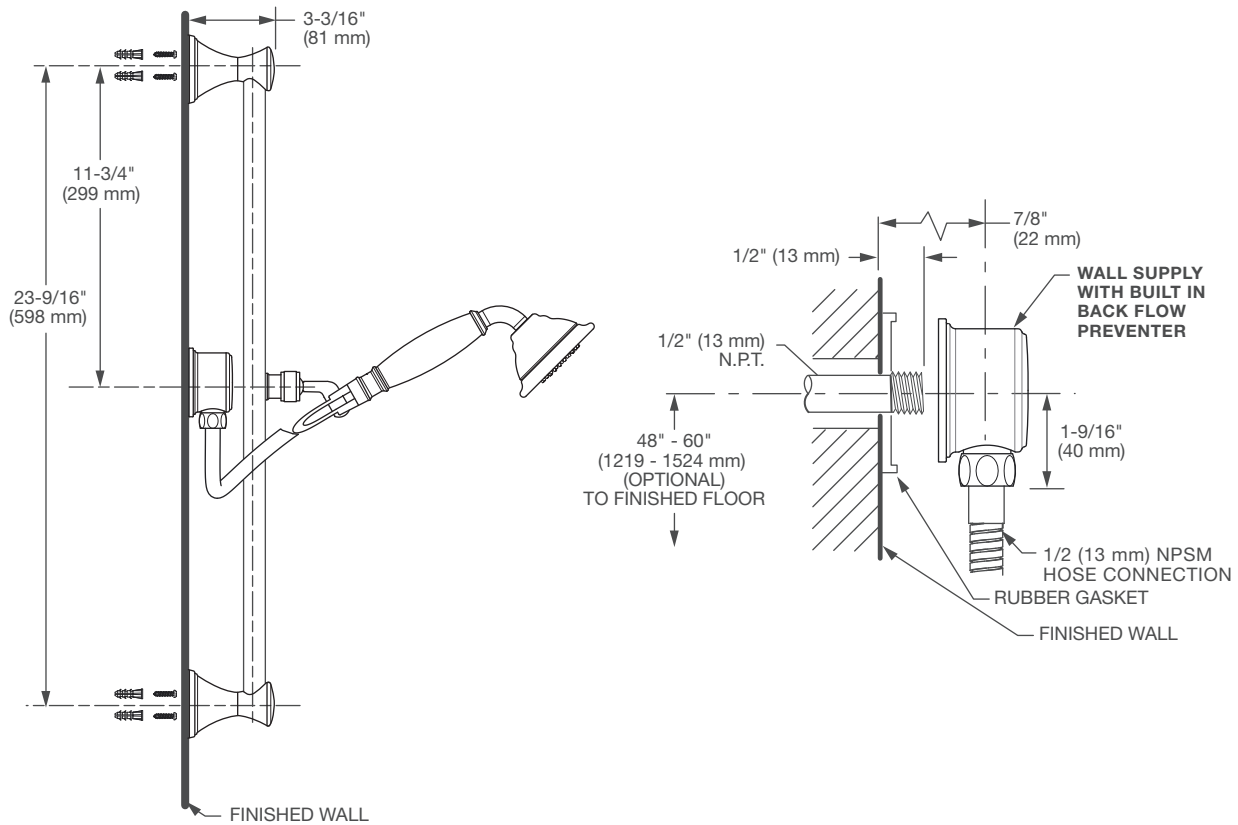
ROUGH-IN DIAGRAM
SHOWN ON NEXT PAGE

CALGreen® is a registered trademark of California Building Standards Commission.



FITZGERALD™

PERSONAL SHOWER SET WITH SLIDE BAR & ELBOW



IMPORTANT: These measurements are subject to change or cancellation.
No responsibility is assumed for use of superseded or voided pages.

PART OF LIXIL