

INSTALLATION INSTRUCTIONS

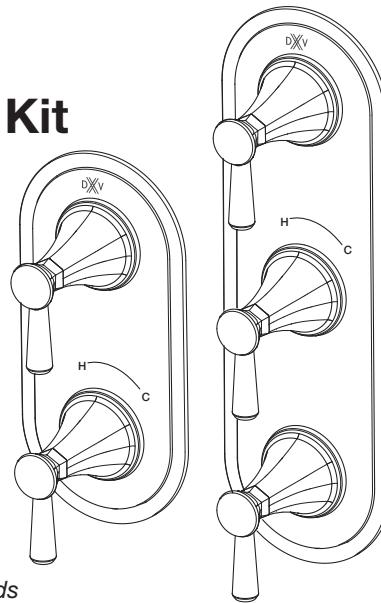


Fitzgerald® Thermostatic Mixing Valve Trim Kit

Model D35160527 — 2 Handles
Model D35160537 — 3 Handles

To be used with
2-Handle Thermostatic Mixing Valve
D35005522.191 / D35005522S.191
D35005523.191 / D35005523S.191
D35005511.191

3-Handle Thermostatic Mixing Valve
D35005533.191 / D35005533S.191
D35005532.191



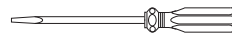
Thank you for selecting DXV. To ensure that your installation proceeds smoothly, please read these instructions carefully before you begin.

RECOMMENDED TOOLS AND MATERIALS

Most of the procedures require the use of common tools and materials, which are available from hardware and plumbing supply stores. It is essential that the tools and materials be on hand before work has begun.

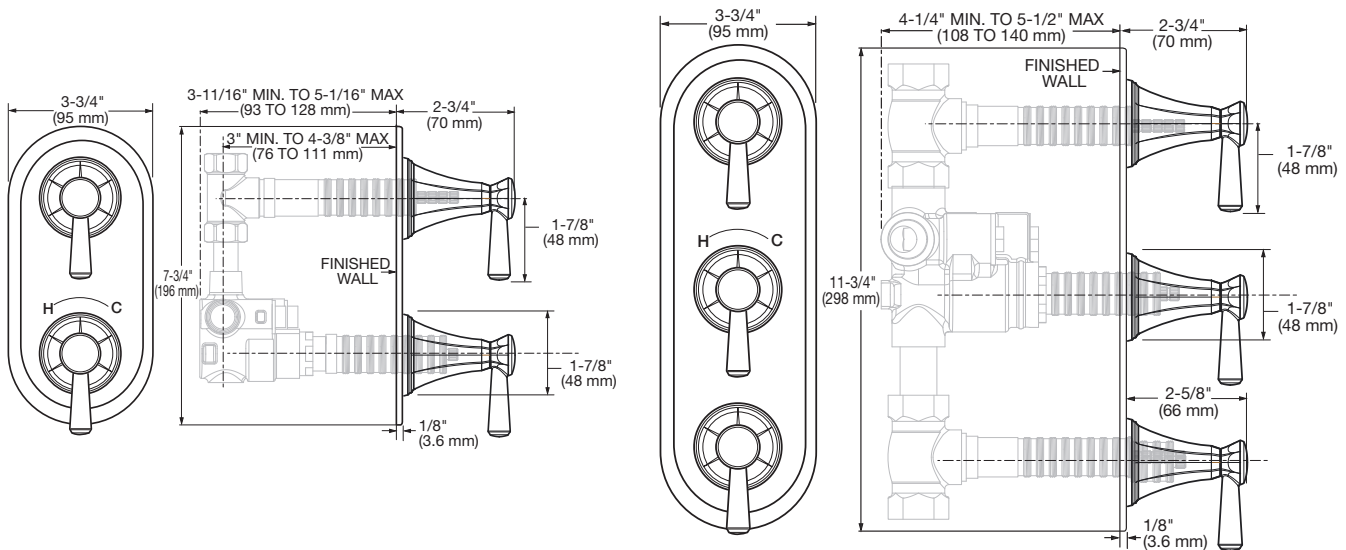


Phillips Screwdriver



Flat Blade Screwdriver

ROUGH-IN DIMENSIONS



In the United States:

DXV
One Centennial Avenue
Piscataway, New Jersey 08855
Attention: Director of Customer Care

For residents of the United States, warranty information may also be obtained by calling the following toll free number: (800) 227-2734
www.DXV.com

In Canada:

DXV
5900 Avebury Road
Mississauga, Ontario
L5R 3M3
Canada

Toll Free: 1-800-387-0369
Local: 905-306-1093
Fax: 1-800-395-1498
www.DXV.ca

In Mexico:

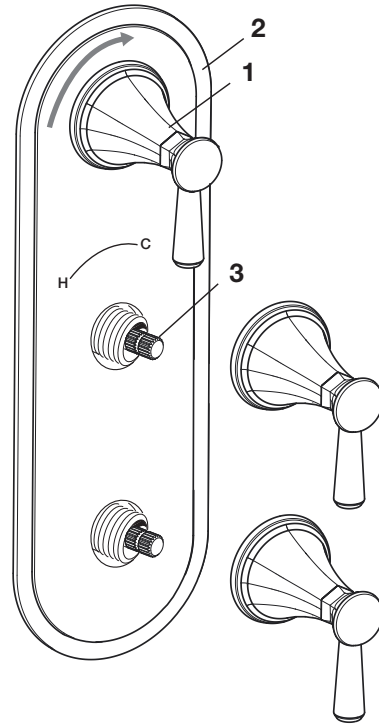
DXV
Via Morelos 330
Col. Santa Clara Coatitla
Ecatepec, Estado de México 55540

Toll Free: 01-800-8391200
www.DXV.mx

SAVE FOR FUTURE USE

1 HANDLE INSTALLATION

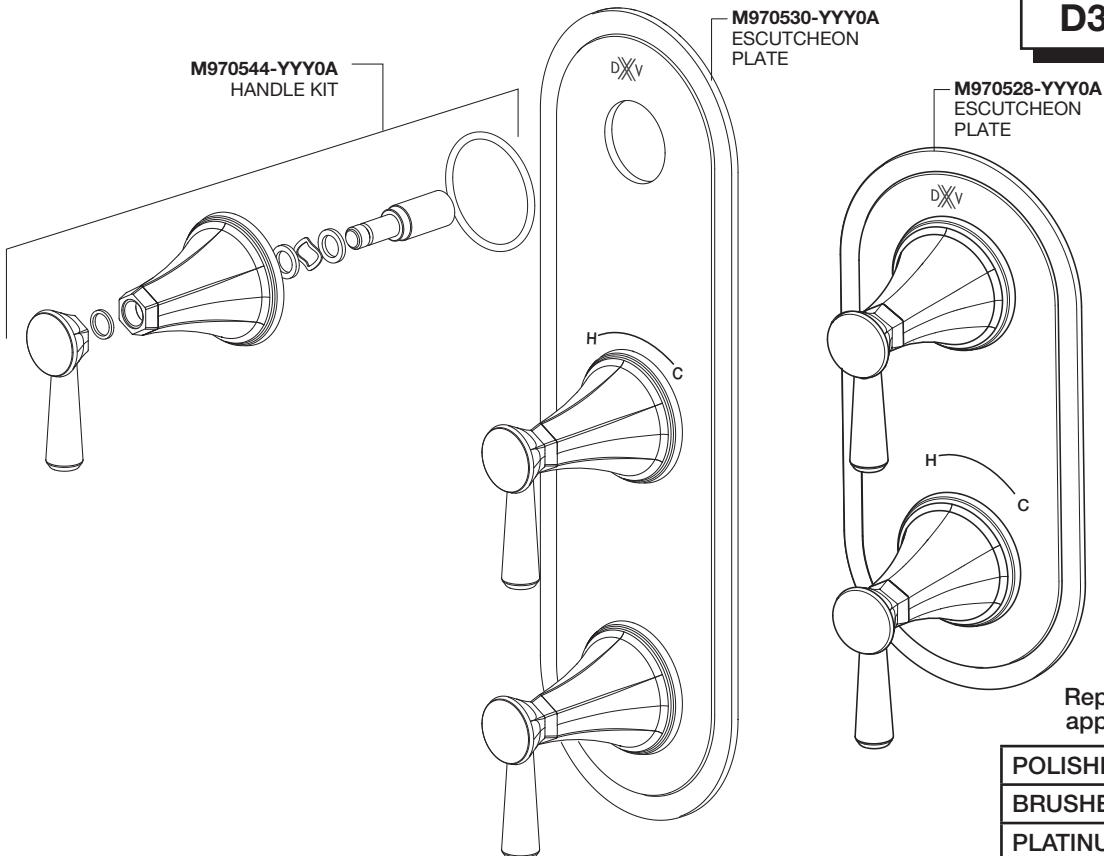
- Push HANDLE (1) onto SPLINE (3).
- **NOTE:** Check that the cartridge is in neutral position.
- Tighten HANDLE (1) by rotating clockwise until flushed against ESCUTCHEON PLATE (2).
- Follow the same steps for other handles.
- **NOTE:** Check that the cartridge is in neutral position.



Fitzgerald® Thermostatic Mixing Valve Trim Kit

MODEL NUMBERS

D35160527
D35160537



Replace the “YYY” with appropriate finish code

POLISHED CHROME	100
BRUSHED NICKEL	144
PLATINUM NICKEL	150