



FITZGERALD™

2-HANDLE THERMOSTATIC VALVE TRIM



- 1/8" Thin profile
- Forged brass escutcheon plate
- Brass handles
- Concealed mounting hardware
- Rough-in valve sold separately

CODES AND STANDARDS

Meets or Exceeds ASME A112.18.1/CSA B125.1

- CEC and CALGreen® Compliant

DESCRIPTION

2-Handle Thermostatic Valve Trim Kit

PRODUCT NUMBER

D35160527.XXX

REQUIRED VALVE OPTIONS

2-Handle Thermostatic Rough Valve with Volume Control	D35005511.191
2-Handle Thermostatic Rough Valve with 2-Way Diverter <i>(Discrete Functions)</i>	<input checked="" type="checkbox"/> D35005522.191
2-Handle Thermostatic Rough Valve with 2-Way Diverter <i>(Shared Functions)</i>	D35005522S.191
2-Handle Thermostatic Rough Valve with 3-Way Diverter <i>(Discrete Functions)</i>	<input checked="" type="checkbox"/> D35005523.191
2-Handle Thermostatic Rough Valve with 3-Way Diverter <i>(Shared Functions)</i>	D35005523S.191

AVAILABLE FINISHES

Polished Chrome	100
Brushed Nickel	144
Platinum Nickel	150

FINISH CODE

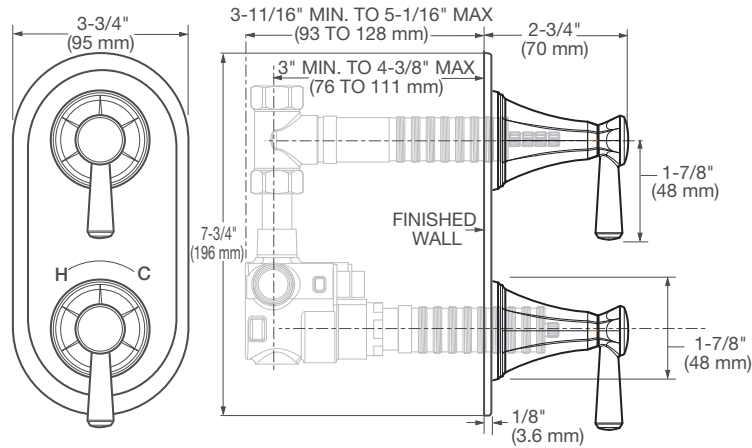
ROUGH-IN DIAGRAM
SHOWN ON NEXT PAGE

CALGreen® is a registered trademark of California Building Standards Commission.



FITZGERALD™

2-HANDLE THERMOSTATIC VALVE TRIM



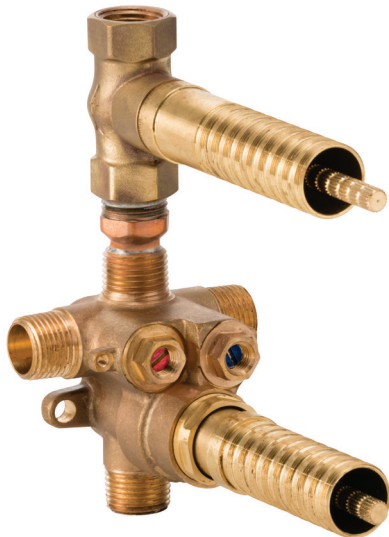
IMPORTANT: These measurements are subject to change or cancellation. No responsibility is assumed for use of superseded or voided pages.

PART OF LIXIL



SUPER SLIM

2-HANDLE THERMOSTATIC ROUGH WITH VOLUME CONTROL



- Ceramic disc valve cartridge
- Forged brass valve body with built-in check stops
- **1 -1/2"** volume control
- 1/2" Wax thermostatic unit permits shuttle valve to move between the hot and cold seats to maintain the preselected constant water temperature
- 1/2" NPT Inlets/Outlets
- Includes Adjustable Hot Limit Safety Stop
- Maximum temperature limit is 120° F

CODES AND STANDARDS

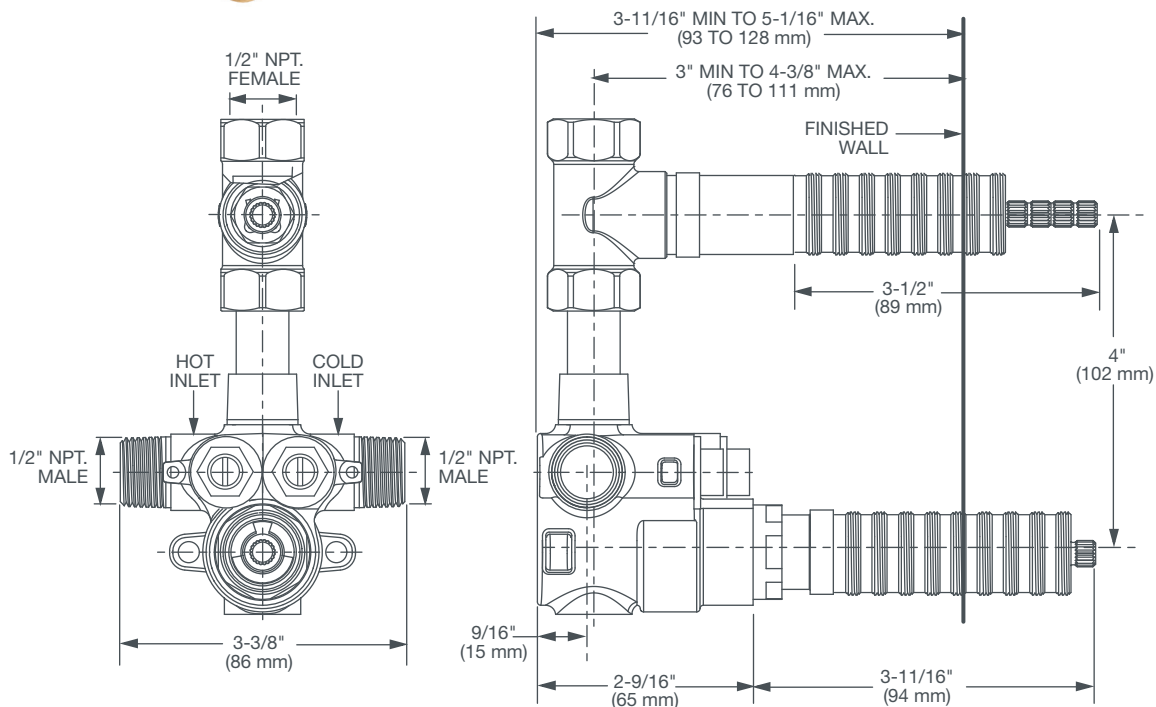
Meets or Exceeds ASME A112.18.1/CSA B125.1/ASSE 1016

DESCRIPTION

2-handle Thermostatic Rough Valve with Volume Control

PRODUCT NUMBER

D35005511.191



IMPORTANT: These measurements are subject to change or cancellation.

No responsibility is assumed for use of superseded or voided pages.

PART OF **LIXIL**

IMPORTANT: These measurements are subject to change or cancellation.

No responsibility is assumed for use of superseded or voided pages.



AMERICAN STANDARD

TRADITIONAL RAIN SHOWERHEAD



- Tiered, sculpted design
- 1/2" NPT
- Brass construction
- Showerhead can pivot
- Easy clean rubber nozzles
- Maximum showerhead flow rate: 2.5 GPM (9.5L/min)

CODES AND STANDARDS

Meets or Exceeds ASME A112.18.1/ CSA B125.1

AVAILABLE FINISHES

Polished Chrome
 Carbon Bronze (for 8" only)
 Brushed Nickel
 Platinum Nickel

FINISH CODE

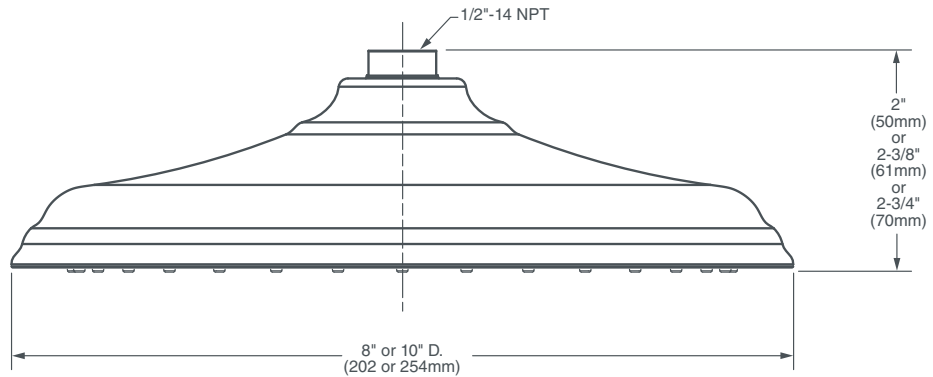
100
 110
 144
 150

DESCRIPTION

8" Traditional Rain Showerhead
 10" Traditional Rain Showerhead

PRODUCT NUMBER

D35700108.XXX
 D35700110.XXX



IMPORTANT: These measurements are subject to change or cancellation.
 No responsibility is assumed for use of superseded or voided pages.



AMERICAN STANDARD

SHEPHERD'S HOOK SHOWER ARM

- 1/2" NPT
- Brass construction
- Compatible with all showerheads



AVAILABLE FINISHES

Polished Chrome
Carbon Bronze
Brushed Nickel
Platinum Nickel
Satin Brass

FINISH CODE

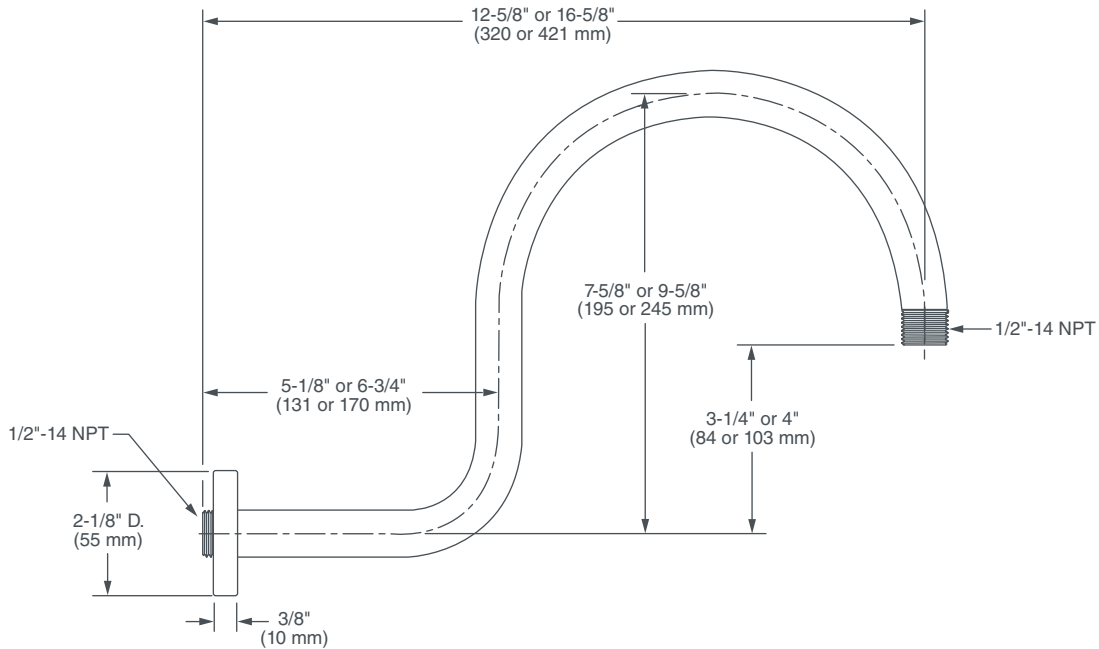
100
110
144
150
427

DESCRIPTION

12" Shower Arm
16" Shower Arm

PRODUCT NUMBER

D35701312.XXX
D35701316.XXX



IMPORTANT: These measurements are subject to change or cancellation.
No responsibility is assumed for use of superseded or voided pages.