



# FITZGERALD™

## 2-HANDLE THERMOSTATIC VALVE TRIM



- 1/8" Thin profile
- Forged brass escutcheon plate
- Brass handles
- Concealed mounting hardware
- Rough-in valve sold separately

### CODES AND STANDARDS

Meets or Exceeds ASME A112.18.1/CSA B125.1

- CEC and CALGreen® Compliant

### DESCRIPTION

2-Handle Thermostatic Valve Trim Kit

### PRODUCT NUMBER

D35160527.XXX

### REQUIRED VALVE OPTIONS

2-Handle Thermostatic Rough Valve with Volume Control	D35005511.191
2-Handle Thermostatic Rough Valve with 2-Way Diverter <i>(Discrete Functions)</i>	<input checked="" type="checkbox"/> D35005522.191
2-Handle Thermostatic Rough Valve with 2-Way Diverter <i>(Shared Functions)</i>	D35005522S.191
2-Handle Thermostatic Rough Valve with 3-Way Diverter <i>(Discrete Functions)</i>	<input checked="" type="checkbox"/> D35005523.191
2-Handle Thermostatic Rough Valve with 3-Way Diverter <i>(Shared Functions)</i>	D35005523S.191

### AVAILABLE FINISHES

Polished Chrome	100
Brushed Nickel	144
Platinum Nickel	150

### FINISH CODE

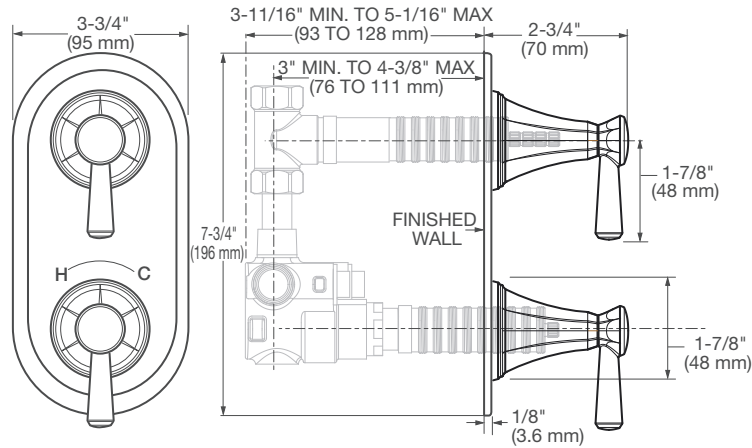
ROUGH-IN DIAGRAM  
SHOWN ON NEXT PAGE

CALGreen® is a registered trademark of California Building Standards Commission.



# FITZGERALD™

## 2-HANDLE THERMOSTATIC VALVE TRIM



**IMPORTANT:** These measurements are subject to change or cancellation. No responsibility is assumed for use of superseded or voided pages.

PART OF LIXIL



# SUPER SLIM

## 2-HANDLE THERMOSTATIC ROUGH WITH 3-WAY DIVERTER



- Ceramic disc valve cartridge
- Forged brass valve body with built-in check stops
- 3-Way Diverter options include discrete or shared functions
- ½" Wax thermostatic unit permits shuttle valve to move between the hot and cold seats to maintain the preselected constant water temperature
- ½" NPT Inlets/Outlets
- Includes Adjustable Hot Limit Safety Stop
- Maximum temperature limit is 120°F

### CODES AND STANDARDS

Meets or Exceeds ASME A112.18.1/CSA B125.1/ASSE 1016

### DESCRIPTION

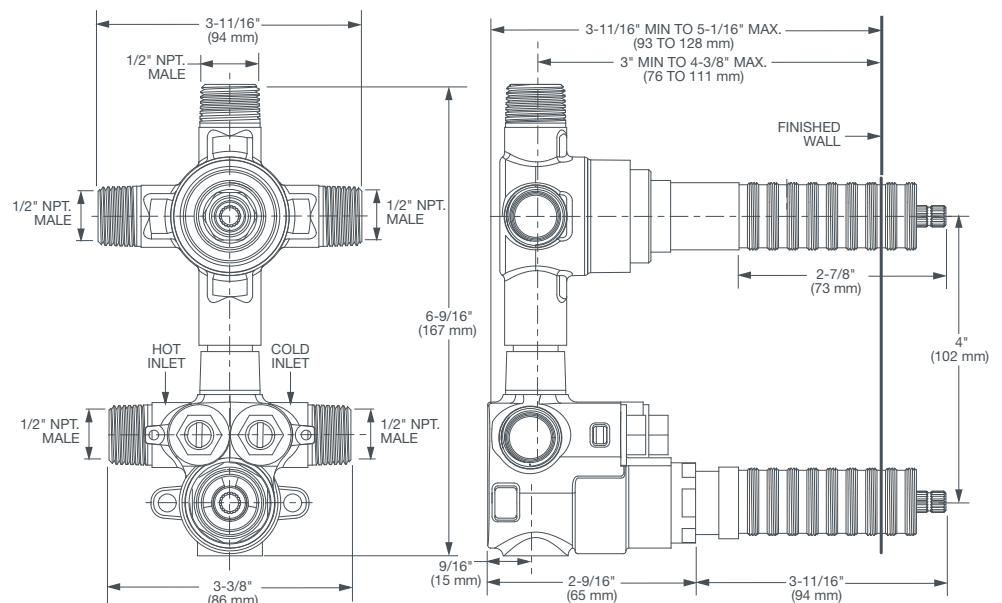
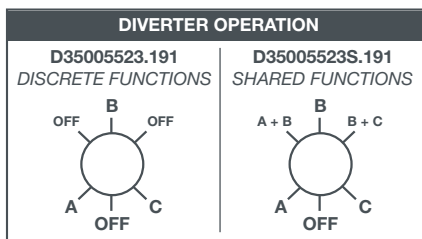
2-Handle Thermostatic Rough Valve with 3-Way Diverter  
(Discrete Functions)

### PRODUCT NUMBER

D35005523.191

2-Handle Thermostatic Rough Valve with 3-Way Diverter  
(Shared Functions)

D35005523S.191



**IMPORTANT:** These measurements are subject to change or cancellation. No responsibility is assumed for use of superseded or voided pages.

CEC and CALGreen Compliant

PART OF **LIXIL**



AMERICAN STANDARD

# TRADITIONAL RAIN SHOWERHEAD



- Tiered, sculpted design
- 1/2" NPT
- Brass construction
- Showerhead can pivot
- Easy clean rubber nozzles
- Maximum showerhead flow rate: 2.5 GPM (9.5L/min)

### CODES AND STANDARDS

Meets or Exceeds ASME A112.18.1/ CSA B125.1

#### AVAILABLE FINISHES

Polished Chrome  
 Carbon Bronze (for 8" only)  
 Brushed Nickel  
 Platinum Nickel

#### FINISH CODE

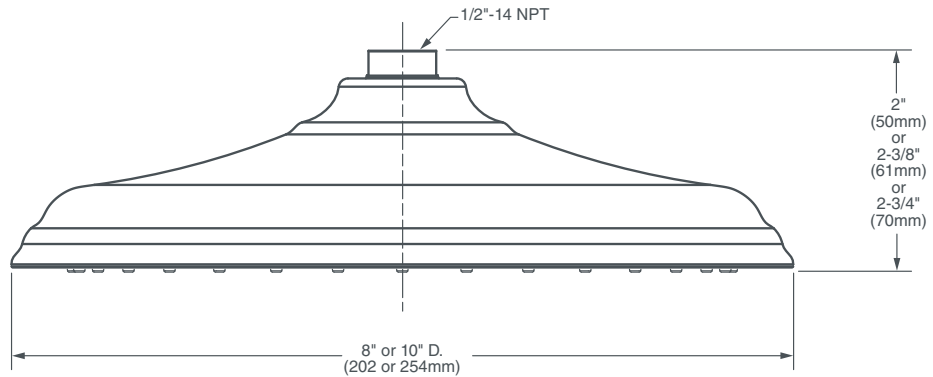
100  
 110  
 144  
 150

#### DESCRIPTION

8" Traditional Rain Showerhead  
 10" Traditional Rain Showerhead

#### PRODUCT NUMBER

D35700108.XXX  
 D35700110.XXX



**IMPORTANT:** These measurements are subject to change or cancellation.  
 No responsibility is assumed for use of superseded or voided pages.



AMERICAN STANDARD

# SHEPHERD'S HOOK SHOWER ARM

- 1/2" NPT
- Brass construction
- Compatible with all showerheads



### AVAILABLE FINISHES

- Polished Chrome
- Carbon Bronze
- Brushed Nickel
- Platinum Nickel
- Satin Brass

### FINISH CODE

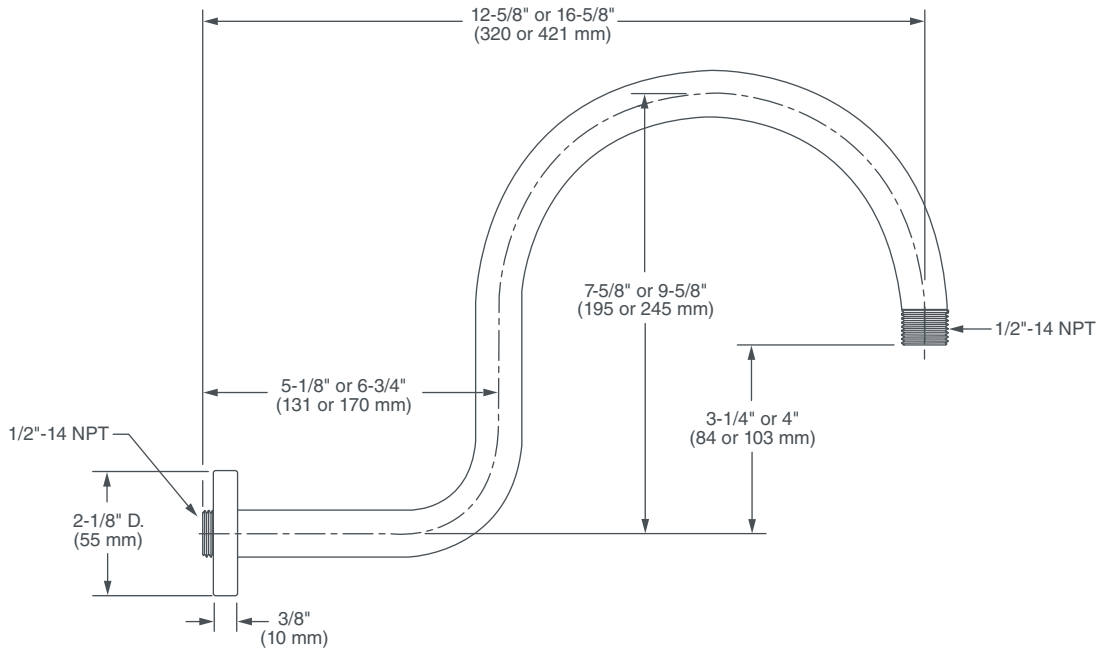
- 100
- 110
- 144
- 150
- 427

### DESCRIPTION

- 12" Shower Arm
- 16" Shower Arm

### PRODUCT NUMBER

- D35701312.XXX
- D35701316.XXX



**IMPORTANT:** These measurements are subject to change or cancellation. No responsibility is assumed for use of superseded or voided pages.



# FITZGERALD™

## PERSONAL SHOWER SET WITH SLIDE BAR & ELBOW



- 5 ft. (1.5 m) decorative metal hose
- Wall elbow
- 24" adjustable slide bar with bracket and metal hose
- Maximum hand shower flow rate: 1.8 gpm (6.8 L/min)
- Includes double check valves

### CODES AND STANDARDS

Meets or Exceeds ASME A112.18.1/CSA B125.1

CEC and CALGreen® Compliant

### DESCRIPTION

Personal Shower Set  
with Hand Shower

### PRODUCT NUMBER

D35160780.XXX

### AVAILABLE FINISHES

Polished Chrome  
Brushed Nickel  
Platinum Nickel

### FINISH CODE

100  
144  
150

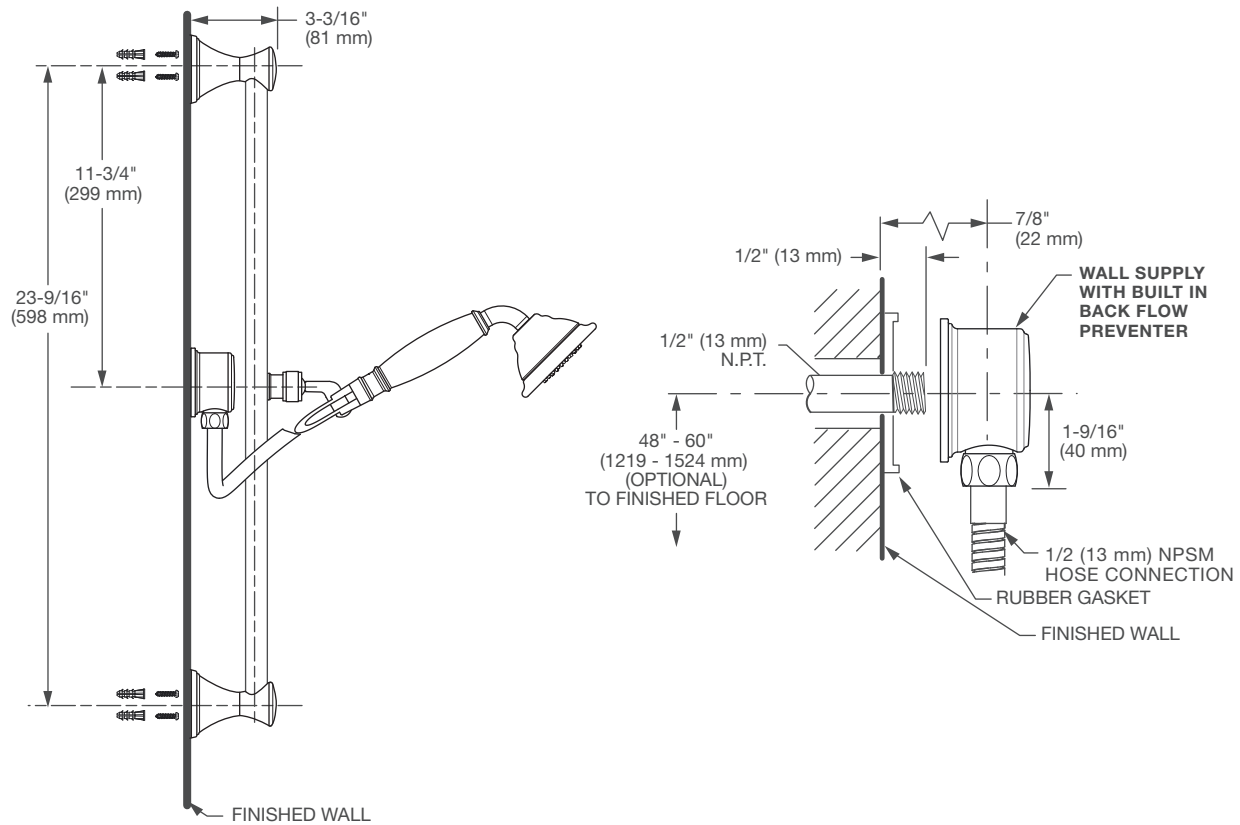
ROUGH-IN DIAGRAM  
SHOWN ON NEXT PAGE

CALGreen® is a registered trademark of  
California Building Standards Commission.



# FITZGERALD™

## PERSONAL SHOWER SET WITH SLIDE BAR & ELBOW



**IMPORTANT:** These measurements are subject to change or cancellation. No responsibility is assumed for use of superseded or voided pages.

PART OF LIXIL



# FITZGERALD™

## WALL TUB SPOUT

- Cast brass
- 8" Spout
- Includes 1/2 NPA adapter for 1/2 or 3/4 installations

### CODES AND STANDARDS

Meets or Exceeds ASME A112.18.1/CSA B125.1



#### AVAILABLE FINISHES

Polished Chrome  
Brushed Nickel  
Platinum Nickel

#### FINISH CODE

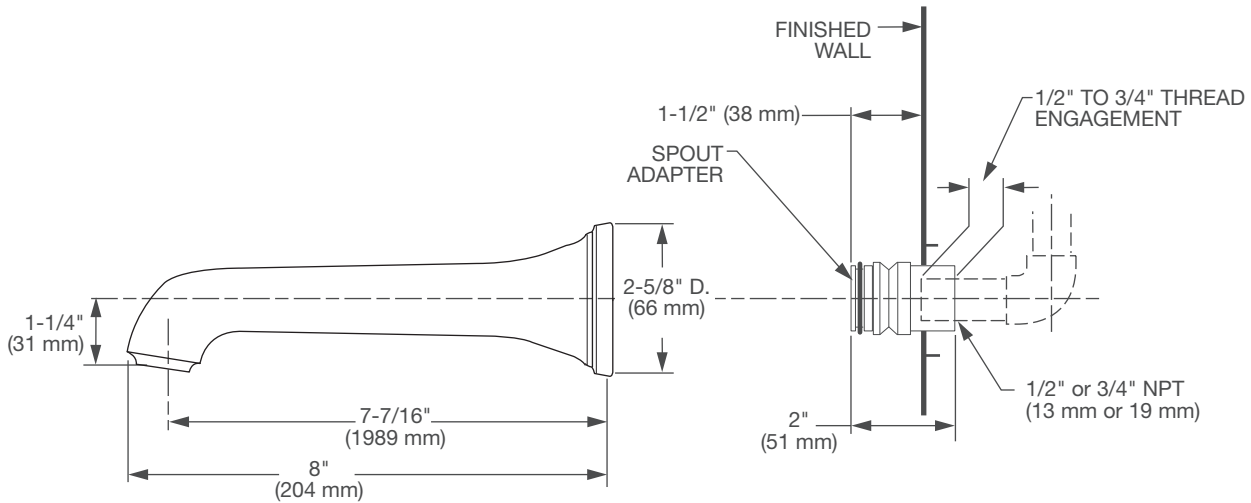
100  
144  
150

#### DESCRIPTION

Wall Tub Spout

#### PRODUCT NUMBER

D35160760.XXX



**IMPORTANT:** These measurements are subject to change or cancellation. No responsibility is assumed for use of superseded or voided pages.

PART OF **LIXIL**