



# DXV BELSHIRE™

## 3-HANDLE THERMOSTATIC VALVE TRIM



- 1/8" Thin profile
- Forged brass escutcheon plate
- Metal handles
- Concealed mounting hardware
- Rough-in valve sold separately

### CODES AND STANDARDS

Meets or Exceeds ASME A112.18.1/CSA B125.1

### DESCRIPTION

3-Handle Thermostatic Valve Trim Kit with Lever Handles (ADA)

### PRODUCT NUMBER

D35170537.XXX

3-Handle Thermostatic Valve Trim Kit with Cross Handles

D35170538.XXX

3-Handle Thermostatic Valve Trim Kit with Cushion Handles

D35170539.XXX

### REQUIRED VALVE OPTIONS

3-Handle Thermostatic Rough Valve with 2 Volume Controls

D35005532.191

3-Handle Thermostatic Rough Valve with 2-Way Diverter  
*(Discrete Functions)*

D35005533.191

3-Handle Thermostatic Rough Valve with 2-Way Diverter  
*(Shared Functions)*

D35005533S.191

### AVAILABLE FINISHES

- Polished Chrome
- Brushed Nickel
- Platinum Nickel
- Satin Brass

### FINISH CODE

- 100
- 144
- 150
- 427



Polished Chrome



Brushed Nickel



Platinum Nickel



Satin Brass

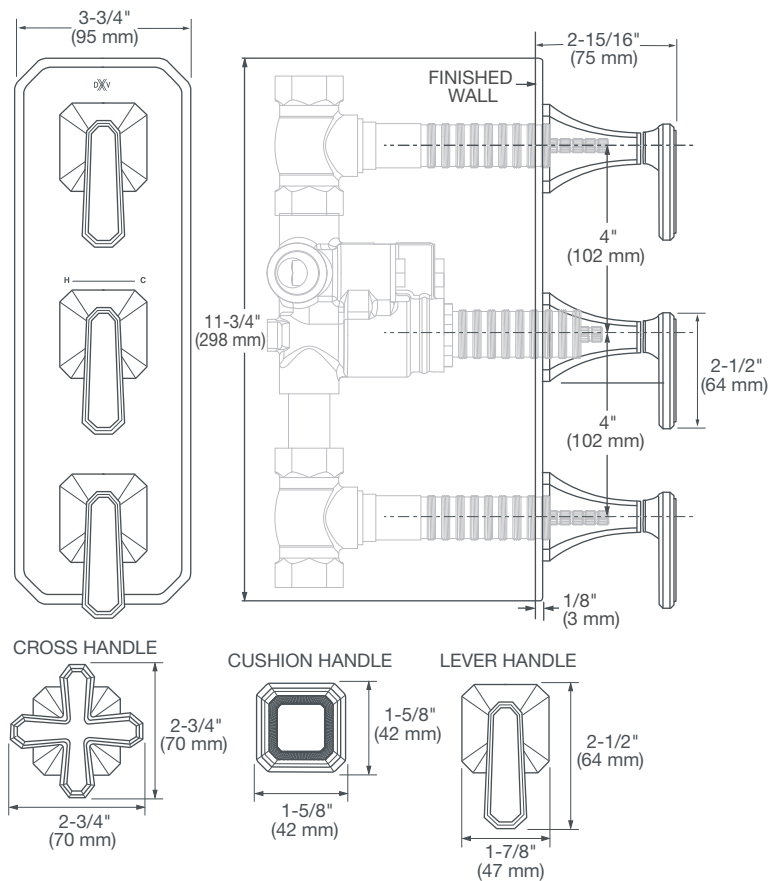
ROUGH-IN DIAGRAM  
SHOWN ON NEXT PAGE





# DXV BELSHIRE™

## 3-HANDLE THERMOSTATIC VALVE TRIM



**IMPORTANT:** These measurements are subject to change or cancellation. No responsibility is assumed for use of superseded or voided pages.

PART OF **LIXIL**



# SUPERSLIM

## 3-HANDLE THERMOSTATIC ROUGH WITH 2-WAY DIVERTER



- Ceramic disc valve cartridge
- Forged brass valve body with built-in check stops
- 2-Way Diverter options include discrete or shared functions
- 3/4" Wax thermostatic unit permits shuttle valve to move between the hot and cold seats to maintain the preselected constant water temperature
- 3/4" NPT Inlets/Outlets
- Includes Adjustable Hot Limit Safety Stop
- Maximum temperature limit is 120°F

### CODES AND STANDARDS

Meets or Exceeds ASME A112.18.1/CSA B125.1  
ASSE 1016

### DESCRIPTION

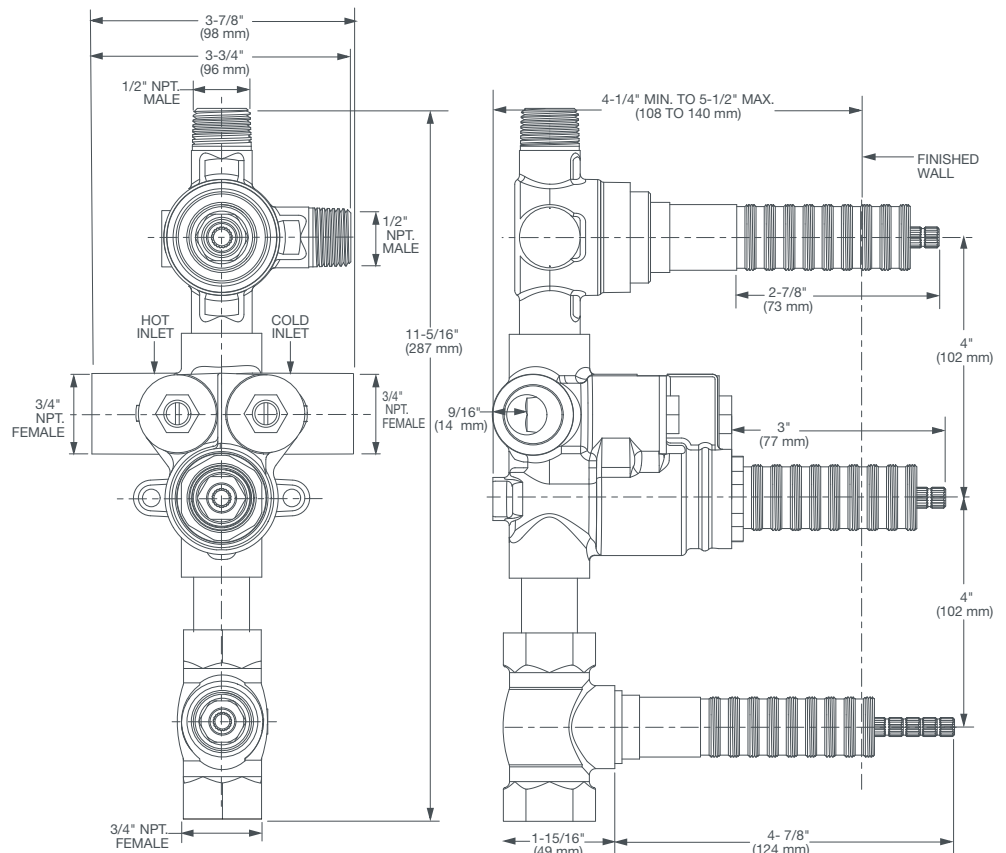
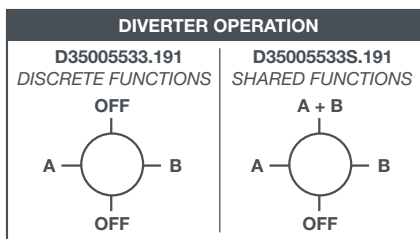
3-Handle Thermostatic Rough Valve with 2-Way Diverter  
(Discrete Functions)

### PRODUCT NUMBER

D35005533.191

3-Handle Thermostatic Rough Valve with 2-Way Diverter  
(Shared Functions)

D35005533S.191



**IMPORTANT:** These measurements are subject to change or cancellation.

No responsibility is assumed for use of superseded or voided pages.

CEC and CALGreen Compliant

PART OF LIXIL



# DXV BELSHIRE™

## 6" SHOWERHEAD



- Faceted showerhead design reflects the aesthetic of the 1920's Golden Era
- Includes shower arm
- Brass construction
- Showerhead can pivot
- 1/2" NPT
- Maximum flow rate: 1.8 gpm (6.8 L/min)

### CODES AND STANDARDS

Meets or Exceeds ASME A112.18.1/CSA B125.1

CEC and CALGreen® Compliant

EPA WaterSense® Certified

### DESCRIPTION

6" Showerhead

### PRODUCT NUMBER

D35170106.XXX

### AVAILABLE FINISHES

Polished Chrome  
 Brushed Nickel  
 Platinum Nickel  
 Satin Brass

### FINISH CODE

100  
 144  
 150  
 427



Polished  
Chrome



Brushed  
Nickel



Platinum  
Nickel



Satin  
Brass

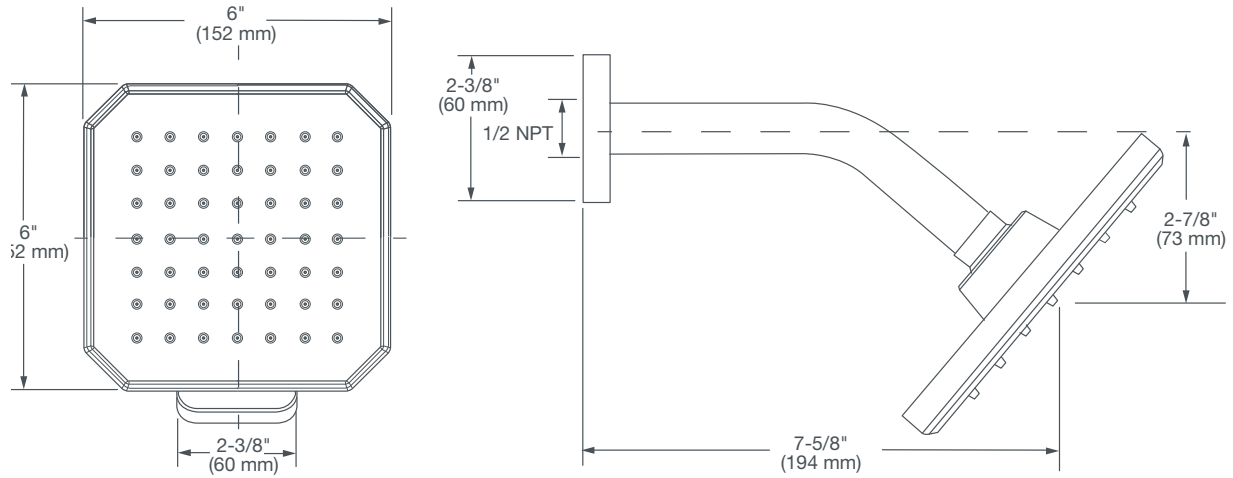
ROUGH-IN DIAGRAM  
 SHOWN ON NEXT PAGE

CALGreen® is a registered trademark of California Building Standards Commission.



# DXV BELSHIRE™

## 6" SHOWERHEAD



**IMPORTANT:** These measurements are subject to change or cancellation. No responsibility is assumed for use of superseded or voided pages.

PART OF **LIXIL**



# DXV BELSHIRE™

## PERSONAL HAND SHOWER WITH ADJUSTABLE WALL MOUNTED BAR



- 5 ft. (1.5 m) decorative metal hose
- Includes single function hand shower
- Wall elbow
- 30" adjustable slide bar with bracket, includes metal hose
- Maximum hand shower flow rate: 1.8 gpm (6.8 L/min)
- Includes double check valves

### CODES AND STANDARDS

Meets or Exceeds ASME A112.18.1/CSA B125.1

CEC and CALGreen® Compliant

### DESCRIPTION

Personal Hand Shower  
with Adjustable Wall  
Mounted Bar

### PRODUCT NUMBER

D35170780.XXX

### AVAILABLE FINISHES

Polished Chrome  
Brushed Nickel  
Platinum Nickel  
Satin Brass

### FINISH CODE

100  
144  
150  
427



Polished  
Chrome



Brushed  
Nickel



Platinum  
Nickel



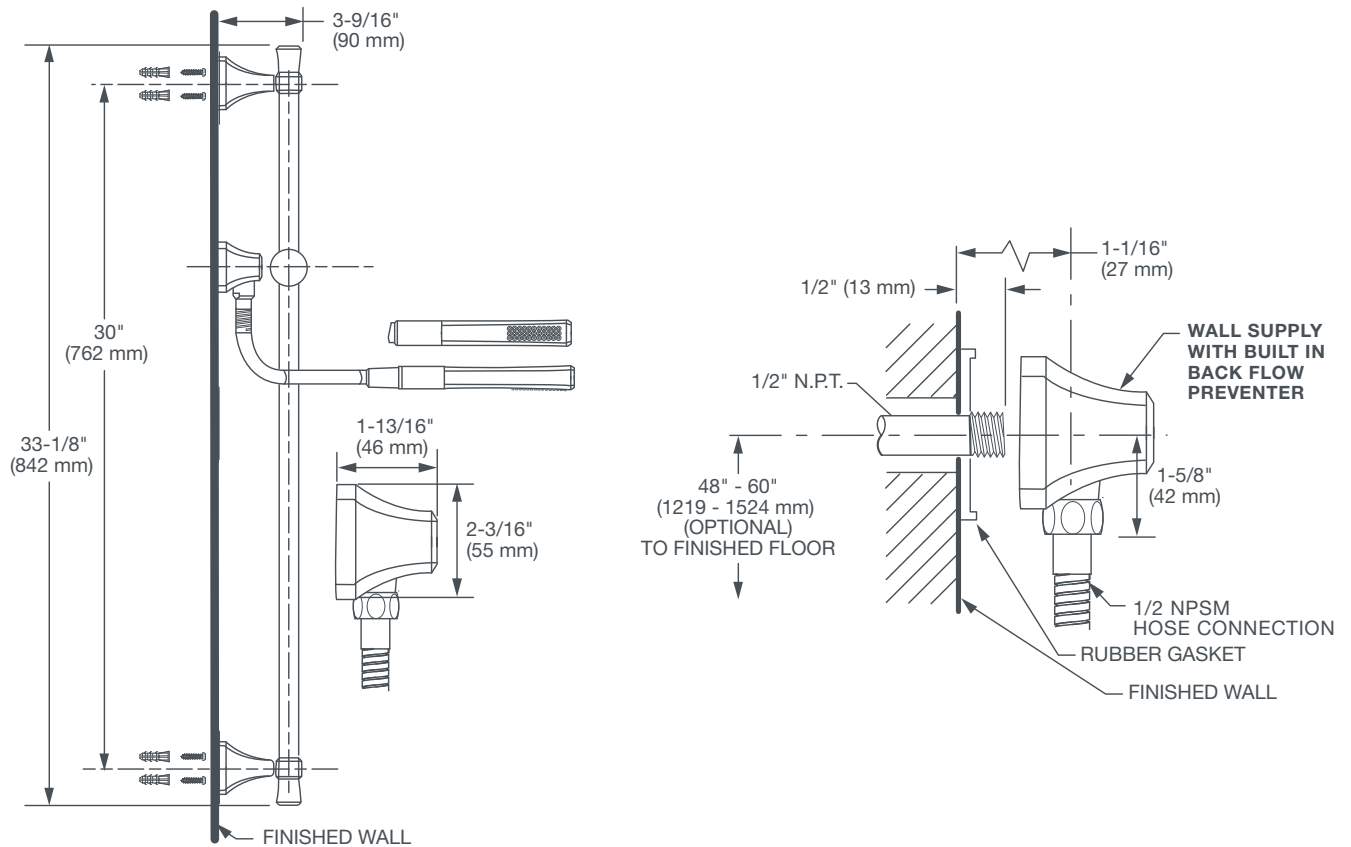
Satin  
Brass

ROUGH-IN DIAGRAM  
SHOWN ON NEXT PAGE

CALGreen® is a registered trademark of California Building Standards Commission.



# DXV BELSHIRE™ PERSONAL SHOWER SET WITH HAND SHOWER



**IMPORTANT:** These measurements are subject to change or cancellation. No responsibility is assumed for use of superseded or voided pages.

PART OF **LIXIL**



# DXV BELSHIRE™

## WALL TUB SPOUT



- Elegant and sophisticated design inspired by the columns, interiors and decorative motifs of the Art-Deco movement

- Cast brass

- Includes universal adapter allows slip-on, sweat and IPS connection for 1/2" installation

### CODES AND STANDARDS

Meets or Exceeds ASME A112.18.1/CSA B125.1

### DESCRIPTION

Wall Tub Spout

### PRODUCT NUMBER

D35170760.XXX

### AVAILABLE FINISHES

Polished Chrome  
 Brushed Nickel  
 Platinum Nickel  
 Satin Brass

### FINISH CODE

100  
 144  
 150  
 427



Polished Chrome



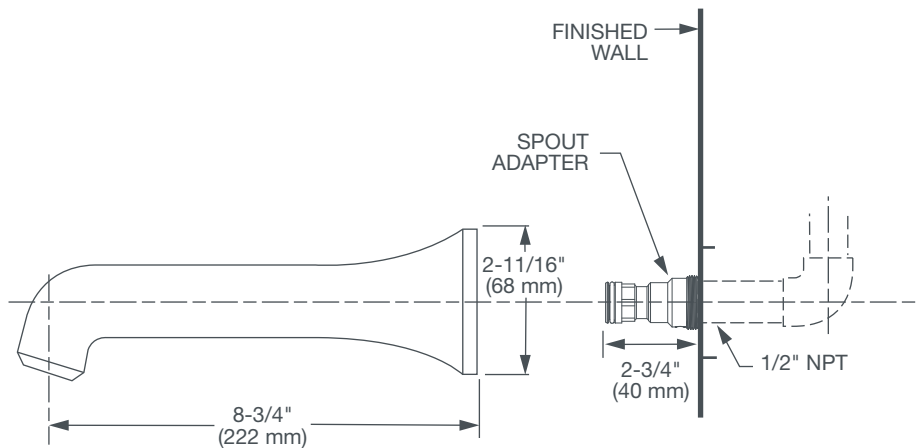
Brushed Nickel



Platinum Nickel



Satin Brass



**IMPORTANT:** These measurements are subject to change or cancellation. No responsibility is assumed for use of superseded or voided pages.

PART OF **LIXIL**