



AMERICAN STANDARD

# ASHBEE™ PRESSURE BALANCE TUB/SHOWER VALVE TRIM WITH DIVERTER



- Cast brass valve with built-in check stops
- Ceramic disc valve cartridge
- Adjustable hot limit safety stop
- Pressure balance cartridge maintains constant output temperature in response to changes in relative hot and cold supply pressures
- Integral diverter
- Concealed mounting hardware
- Available in cross and lever handles

### CODES AND STANDARDS

Meets or Exceeds ASME A112.18.1/CSA B125.1/ASSE 1016

### AVAILABLE FINISHES

- Polished Chrome
- Brushed Nickel
- Platinum Nickel

### FINISH CODE

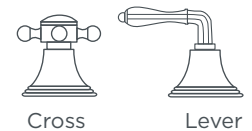
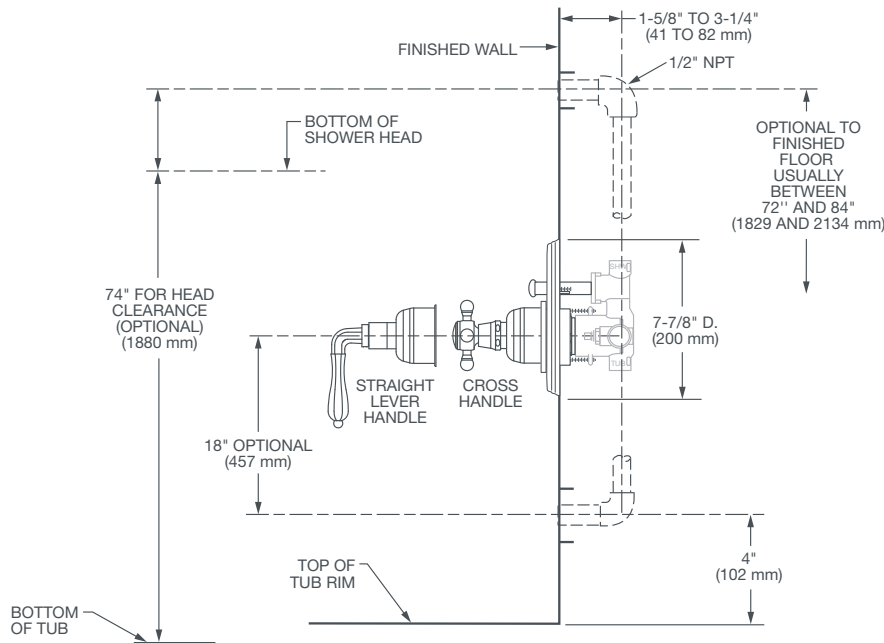
- 100
- 144
- 150

### DESCRIPTION

- Pressure Balance Tub/Shower Trim
- Cross Handle
- Lever Handle (ADA only)
- Tub/Shower Rough Valve (required component)

### PRODUCT NUMBER

- D35101640.XXX
- D35101600.XXX
- D35000600.191



**IMPORTANT:** These measurements are subject to change or cancellation. No responsibility is assumed for use of superseded or voided pages.

PART OF LIXIL



Meets the Americans with Disabilities Act Guidelines and ANSI A117.1 Requirements for the physically challenged.

# ASHBEE® MULTIFUNCTION SHOWERHEAD



- Simple, clean design
- 3 spray functions: full, aerated and massage
- Includes brass tubular arm and flange
- 1/2" NPT
- Easy Clean
- Maximum flow rate: 2.0 gpm (7.6 L/min)
- Low flow rate: 1.8 gpm (6.8 L/min)

### CODES AND STANDARDS

Meets or Exceeds ASME A112.18.1/CSA B125.1

EPA WaterSense® Certified

CEC and CALGreen® Compliant

### AVAILABLE FINISHES

Polished Chrome  
Brushed Nickel  
Platinum Nickel

### FINISH CODE

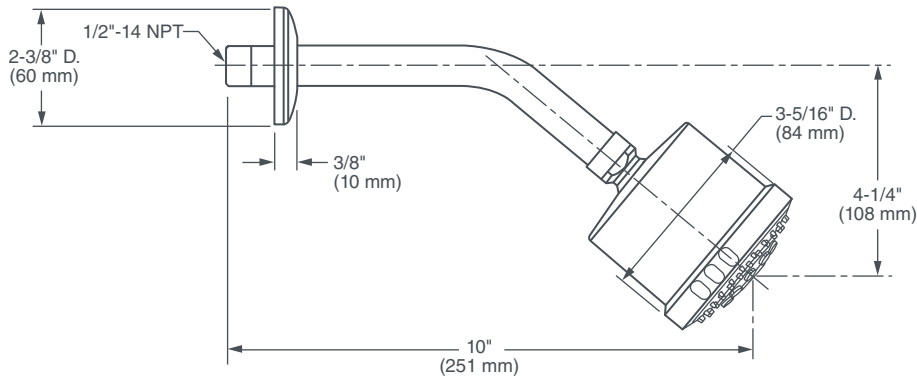
100  
144  
150

### DESCRIPTION

Multifunction Showerhead  
2.0 gpm (7.6 L/min)  
1.8 gpm (6.8 L/min)

### PRODUCT NUMBER

D35101775.XXX  
D3510177C.XXX



**IMPORTANT:** These measurements are subject to change or cancellation. No responsibility is assumed for use of superseded or voided pages.

PART OF **LIXIL**

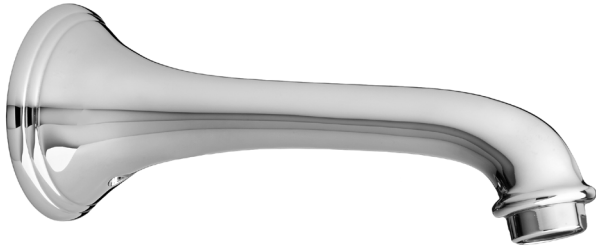
# ASHBEE™

## WALL TUB SPOUT

- Cast brass
- Includes 1/2" NPA adapter for 1/2" or 3/4" installations

### CODES AND STANDARDS

Meets or Exceeds ASME A112.18.1/CSA B125.1



### AVAILABLE FINISHES

Polished Chrome  
 Brushed Nickel  
 Platinum Nickel

### FINISH CODE

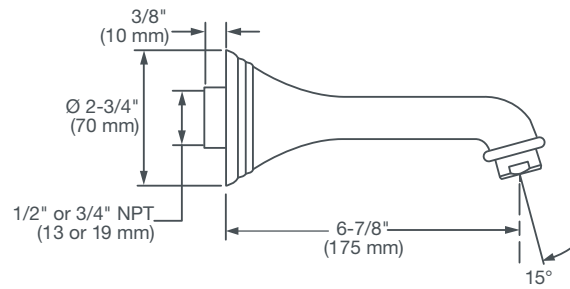
100  
 144  
 150

### DESCRIPTION

Wall Tub Spout

### PRODUCT NUMBER

D35101760.XXX



**IMPORTANT:** These measurements are subject to change or cancellation. No responsibility is assumed for use of superseded or voided pages.