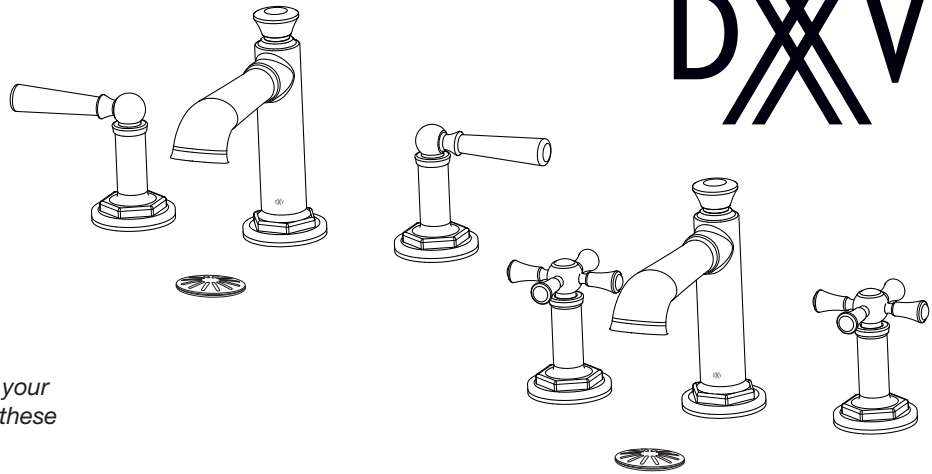


# INSTALLATION INSTRUCTIONS

## DXV Oak Hill™ Widespread Lavatory Faucet

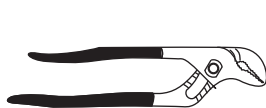
Model D351558XX



Thank you for selecting DXV. To ensure that your installation proceeds smoothly, please read these instructions carefully before you begin.

### RECOMMENDED TOOLS AND MATERIALS

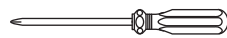
Most of the procedures require the use of common tools and materials, which are available from hardware and plumbing supply stores. It is essential that the tools and materials be on hand before work is begun.



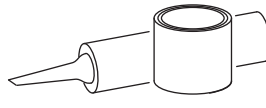
Channel Locks



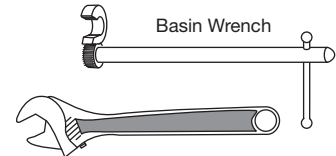
Flat Blade Screwdriver



Phillips Screwdriver



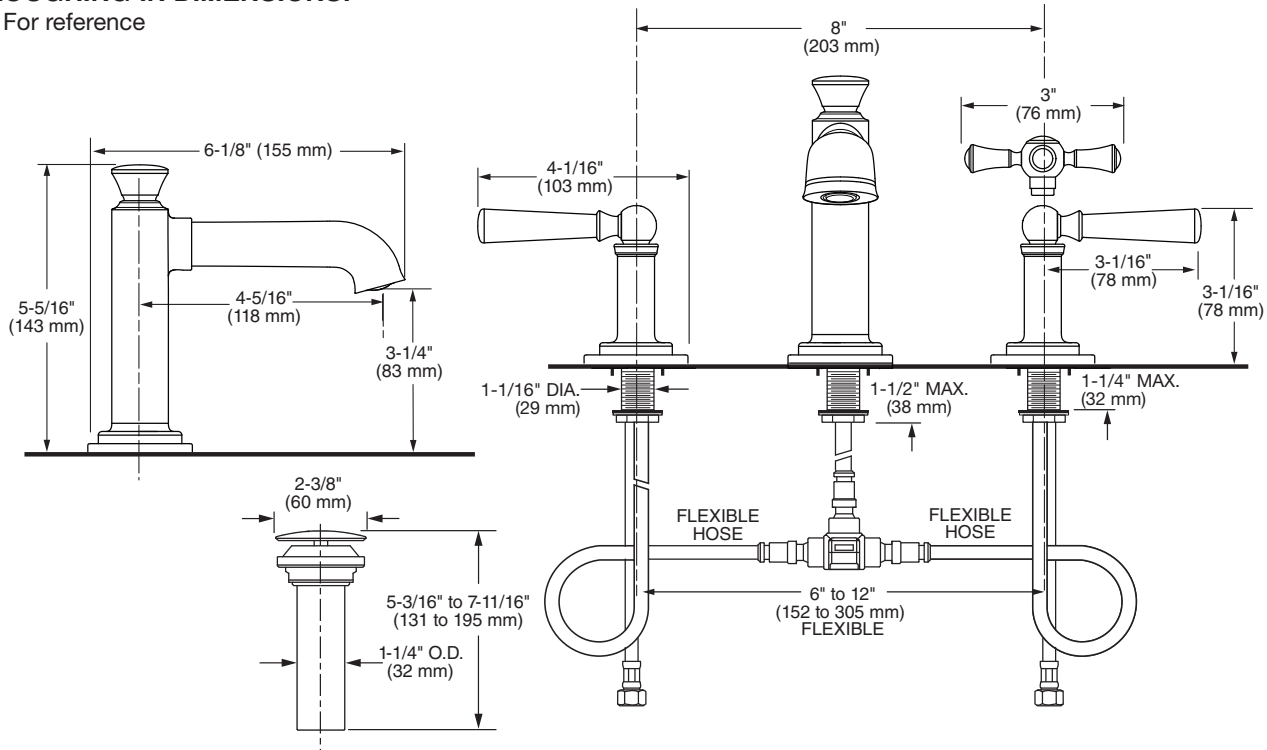
Plumbers' Putty or Caulking



Adjustable Wrench

### ROUGHING-IN DIMENSIONS:

• For reference



#### In the United States:

DXV  
One Centennial Avenue  
Piscataway, New Jersey 08855  
Attention: Director of Customer Care

For residents of the United States, warranty information may also be obtained by calling the following toll free number: (800) 227-2734  
www.DXV.com

#### In Canada:

DXV  
5900 Avebury Road  
Mississauga, Ontario  
L5R 3M3  
Canada

Toll Free: 1-800-387-0369  
Local: 905-306-1093  
Fax: 1-800-395-1498  
www.DXV.ca

#### In Mexico:

DXV  
Via Morelos 330  
Col. Santa Clara Coatlilla  
Ecatepec, Estado de México 55540

Toll Free: 01-800-8391200  
www.DXV.mx

SAVE FOR FUTURE USE

## 1 INSTALL SPOUT

**CAUTION** Turn off hot and cold water supplies before beginning.

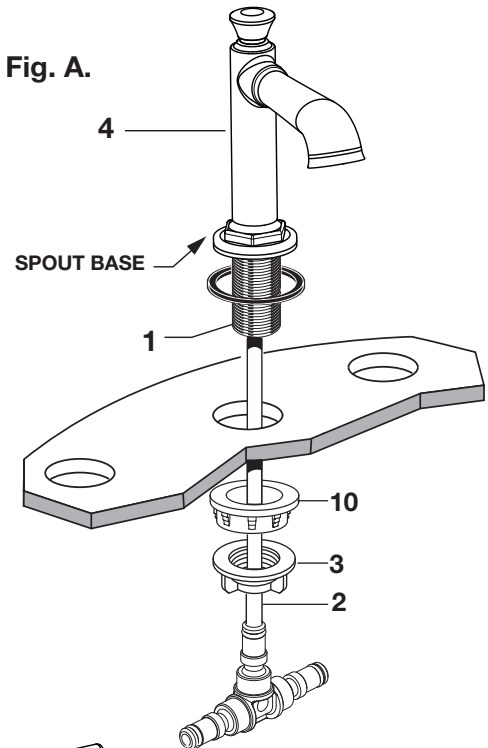
Fig. A.

- Insert SHANK (1) and HOSE (2) through center hole.
- Assemble SPACER (10) and thread LOCKNUT (3) onto SHANK (1) from underside of sink or mounting surface.

**NOTE:** SPACER (10) not needed for deck thickness larger than 3-1/4".

- Align and center SPOUT (4). Tighten LOCKNUT (3).

Fig. A.



## 1A INSTALL VALVE BODIES

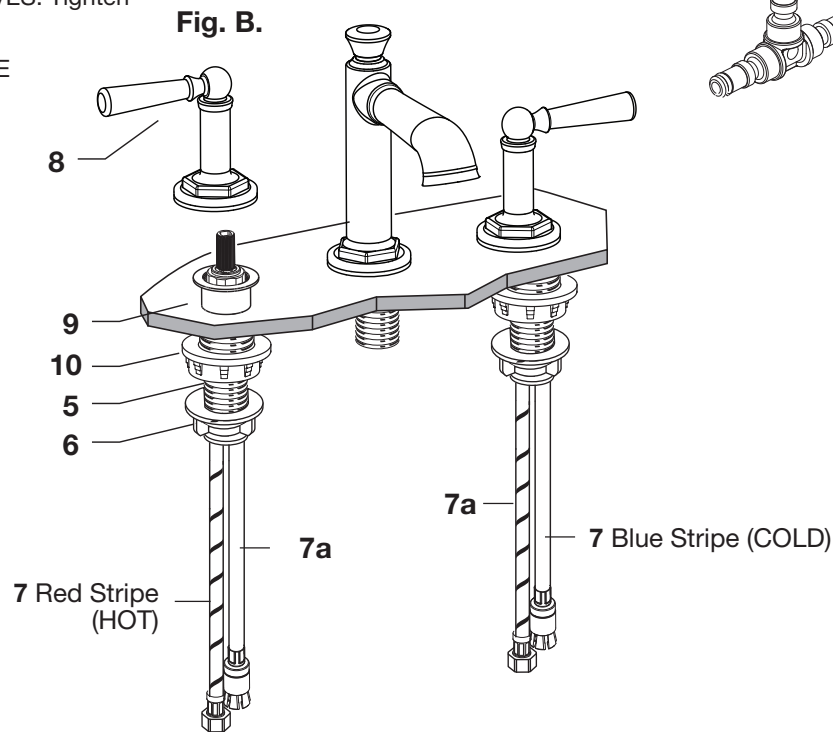
Fig. B.

- Insert Hot and Cold SIDE VALVE HOSES (7), FLEXIBLE SUPPLIES (7a) into mounting holes.
- Assemble SPACER (10) and thread LOCKNUT (6) onto each SIDE VALVE SHANK (5) from underside of sink or mounting surface.

**NOTE:** SPACER (10) not needed for deck thickness larger than 3-1/4".

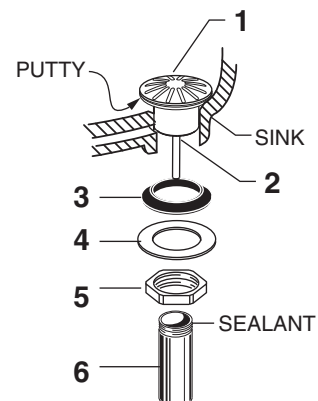
- Align and center SIDE VALVES. Tighten LOCKNUTS (6).

- Thread HANDLE (8) to SIDE DECK ADAPTOR (9).



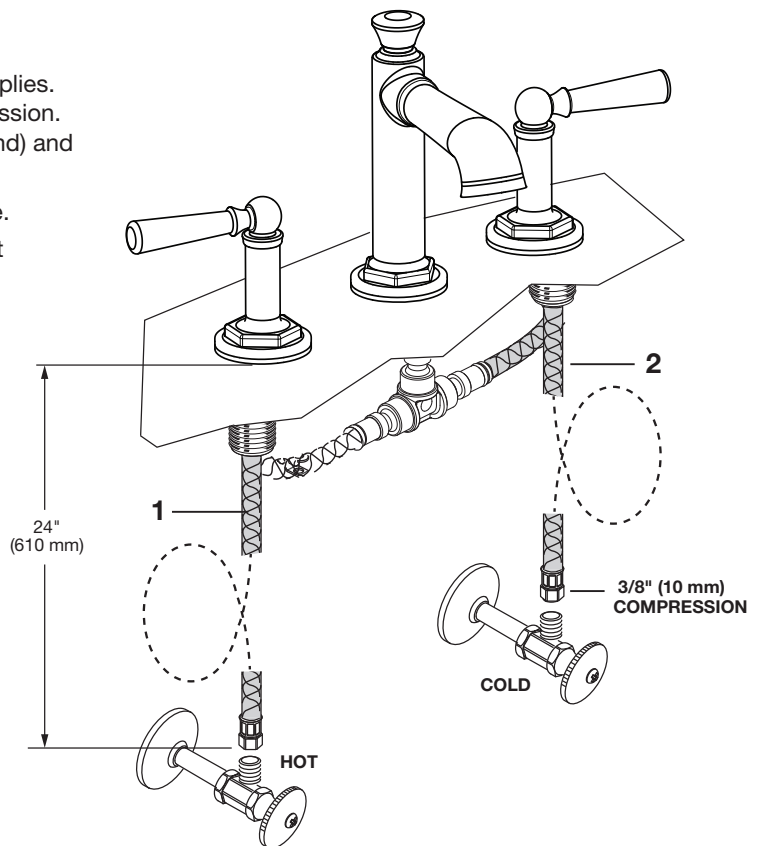
## 2 DRAIN ASSEMBLY

- Apply a bead of PUTTY around underside of DRAIN FLANGE (1) flange. Insert DRAIN PLUG (2) into SINK drain hole.
- Hold DRAIN PLUG (2) to prevent turning and assemble GASKET (3), WASHER (4), and LOCKNUT (5) from underneath sink.
- Apply sealant to threaded end of TAILPIECE and thread into lower end of DRAIN PLUG. Connect other end to trap.



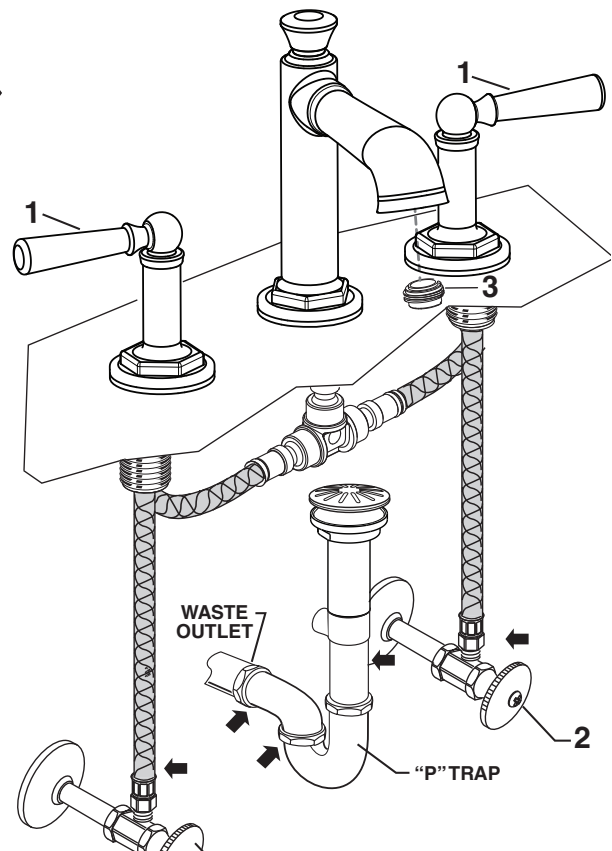
### 3 MAKE WATER SUPPLY AND WASTE CONNECTIONS

- Connect FLEXIBLE SUPPLIES (1, 2) directly to wall supplies. Connection on fitting supplies are 3/8" (10 mm) compression. Connect left SUPPLY (1) to Hot (Marked with a Red Band) and right supply to COLD (2) wall supply.
- Faucet supplies are 24" (610 mm) long from faucet base.
- Note:** If additional supply length is required, installer must purchase additional parts separately.
- Important:** If SUPPLY HOSES (1, 2) are to long, loop as illustrated to avoid kinking.
- Connect 1-1/4" O.D. (32 mm) tailpiece on POP-UP DRAIN to waste outlet.



### 4 TEST INSTALLED FITTING

- Move HANDLES (1) into "off" position.
- Remove AERATOR (3) and clean if necessary.
- Turn on water supplies and check all connections for leaks. ➡

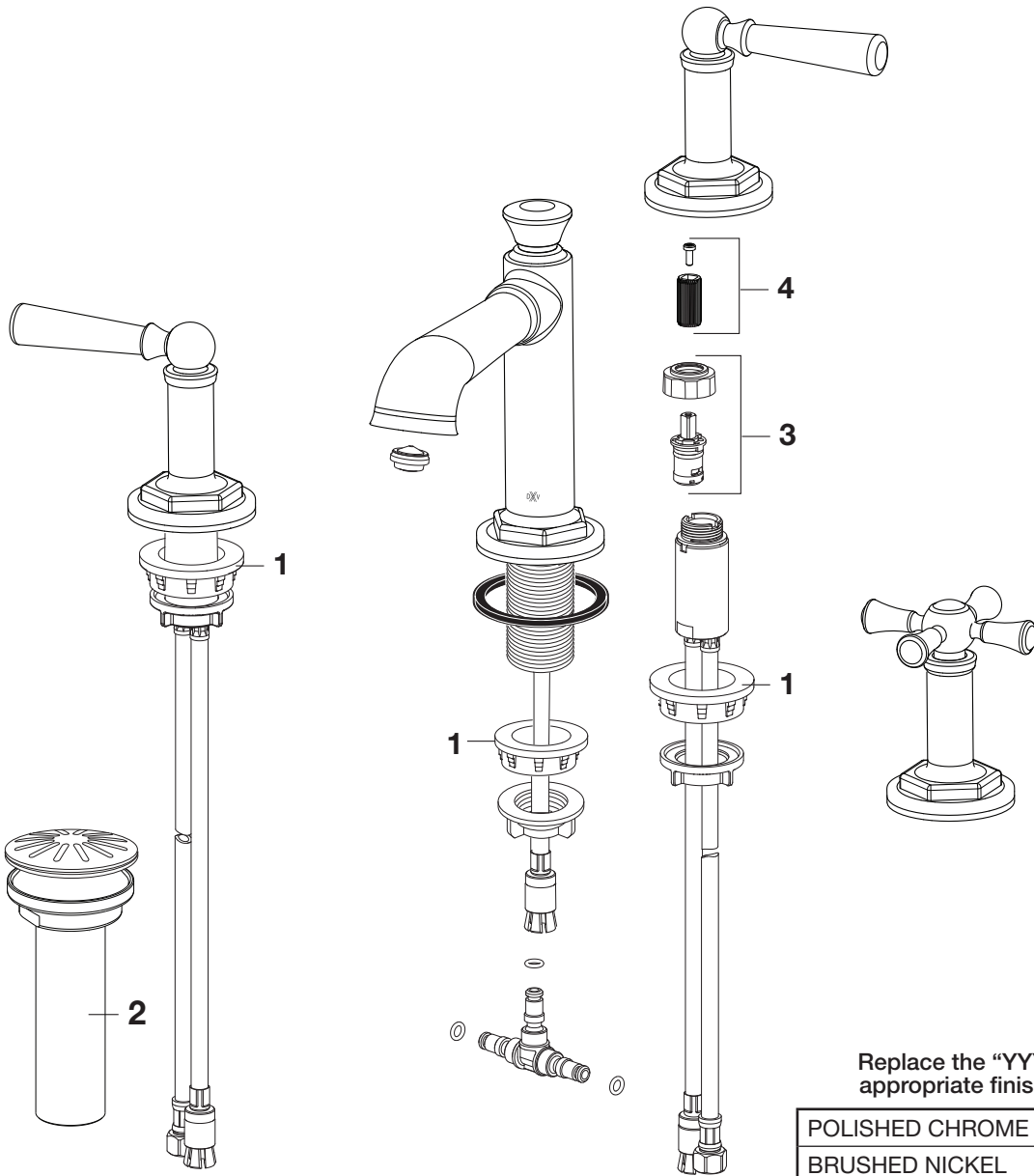




**DXV Oak Hill™**  
**Widespread**  
**Lavatory Faucet**

MODEL NUMBER

**D351558XX**



Replace the "YYY" with appropriate finish code

POLISHED CHROME	100
BRUSHED NICKEL	144
PLATINUM NICKEL	150
SATIN BRASS	427

1	M911116-0070A	SPACER
2	D35155460.YYY	DRAIN ASSEMBLY
3	M964005-0070A	CARTRIDGE KIT
4	M964055-0070A	HANDLE ADAPTER KIT