



# DXV BELSHIRE™

## FREESTANDING SOAKING TUB



**D12040004.415**

### **FEATURES**

---

- Decorative faceted tub design
- Acrylic with fiberglass reinforcement
- 81 gallon (307 L.) capacity
- Integrated drain and overflow
- Sloped lumbar support
- 16" soaking depth
- Leveling feet included
- Polished Nickel drain cap and plug included

### **DIMENSIONS**

---

#### **NOMINAL DIMENSIONS**

66" x 24" x 36" (1675 x 610 x 914 mm)

#### **BATHING DIMENSIONS**

38-9/16" x 16-5/8" x 18-1/8" (980 x 422 x 461 mm)

### **COLORS/FINISHES**

---

Canvas White (415)

### **COMPONENTS**

---

755491-201.0020A Drain Cap & Plug - Polished Chrome (002)

755491-201.0080A Drain Cap & Plug - Polished Nickel (008)

755491-201.2950A Drain Cap & Plug - Brushed Nickel (295)

755491-201.4270A Drain Cap & Plug - Satin Brass (427)

### **COMPLIANCE CERTIFICATIONS**

---

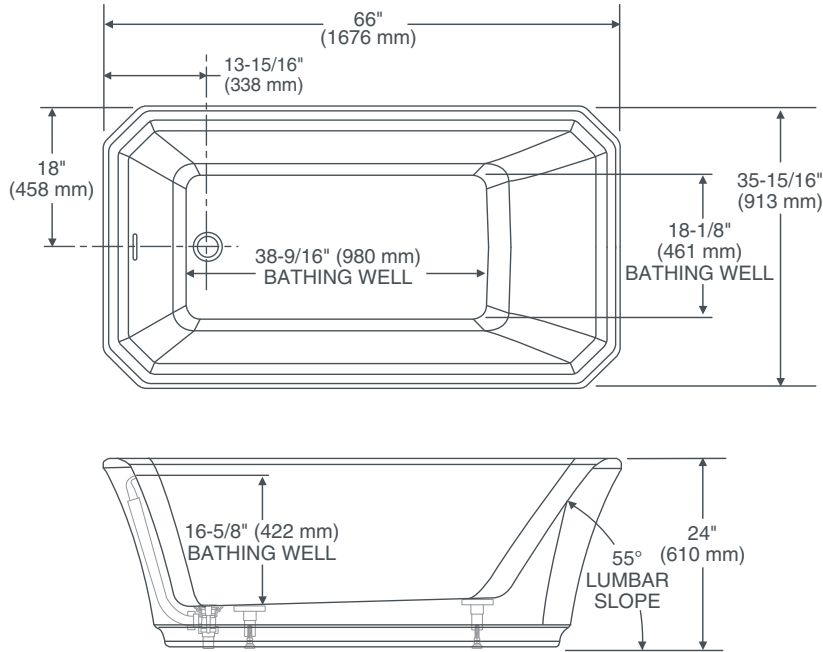
Meets or Exceeds CSA B45.5/IAPMO Z124

ROUGH IN DIAGRAM SHOWN  
ON NEXT PAGE



# DXV BELSHIRE™

## FREESTANDING SOAKING TUB



Freestanding tubs use wall-mounted or freestanding faucets. The waste and overflow assembly is concealed between the walls of the tub, eliminating the need for a decorative exposed drain kit.

	WEIGHT
TUB	121 lbs. (54.9 kg)
WATER	676 lbs. (307 kg)
TUB & WATER	797 lbs. (362 kg)

### NOTES:

Refer to installation instructions supplied with bathing pool for additional information. Fittings not included and must be ordered separately. Provide suitable reinforcement for all supports.

Dimensions of fixtures are nominal and may vary within the range of tolerances established by CSA B45.5/IAPMO Z124. These measurements are subject to change or cancellation. No responsibility is assumed for use of superseded or voided leaflet.