

INSTALLATION INSTRUCTIONS



DXV Modulus™ Wall-Hung Vanity - Left Hand Model D19075036LH Series

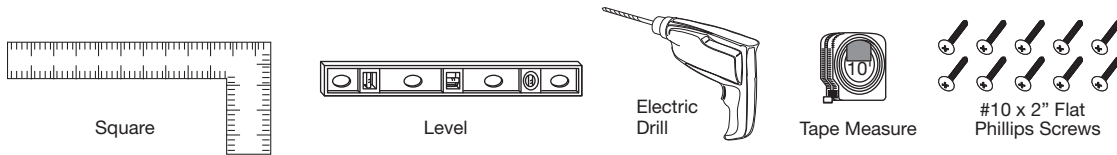
Thank you for selecting DXV. To ensure this product is installed properly, please read these instructions carefully before you begin. (Certain installations may require professional help.) Also be sure your installation conforms to local codes.

To maintain the beauty of the finish, avoid placing the furniture in direct sunlight, as sunlight causes fading. Also avoid extreme changes in temperature by arranging furniture away from radiators, heat and air vents, and air conditioning units. Avoid placing furniture directly under windows.

⚠ CAUTION: PRODUCT IS FRAGILE. TO AVOID BREAKAGE AND POSSIBLE INJURY HANDLE WITH CARE!

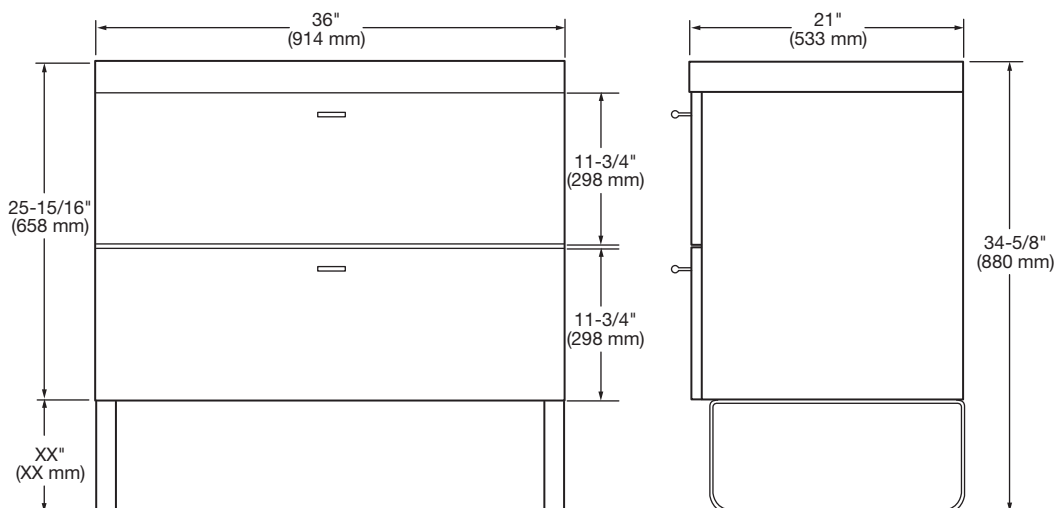
RECOMMENDED TOOLS AND MATERIALS

Most of the procedures require the use of common tools and materials, which are available from hardware and plumbing supply stores. It is essential that the tools and materials be on hand before work has begun.



ROUGHING-IN DIMENSIONS:

- For Reference



PART OF LIXIL

SAVE FOR FUTURE USE

VANITY INSTALLATION

- Unpack unit carefully, taking care not to damage corners, unit is heavy.
- Provide suitable 2x6 reinforcement required for anchoring the vanity to the wall using the vanities stringer.
- Roughing-in supply lines and waste per roughing-in dimensions. **Figure 1.**
NOTE: Vanity is designed for a lavatory/sink with a drain that is offset to the left and not center of the vanity.
- Remove both vanity drawers to aid moving and handling of vanity and to provide room to connect water supplies and drain. To do so, move white tab all the way under drawer rail to one side, then pull the orange tab towards the inside which will release drawer from slide rail.
- Mark wall using the provided wooden stringer where the vanity will be hung.
NOTE: Water supply and drain need to be offset to the left of vanity to clear opening in the top drawer when installed. **Figure 2.**
- Screw the stringer into place using 4, #10 x 2" screws. Carefully lift vanity onto stringer and ensure vanity sits flat and square to surface of wall with no gaps between vanity and wall. Ensure vanity is level.

WATER/DRAIN CENTER LINE (OFFSET TO LEFT OF VANITY)

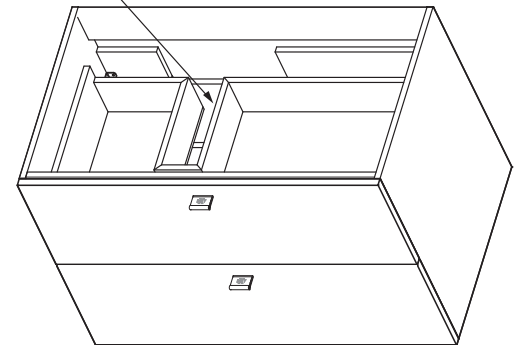


Figure 1.

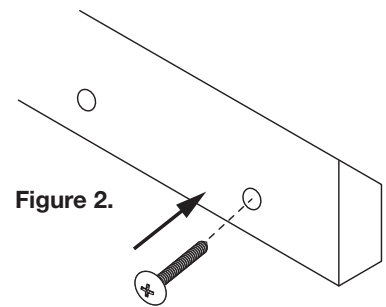


Figure 2.

Vanity Legs Model D19076000 Series

NOTE: Vanity legs are optional and need to be purchased and considered before the actual installation of the vanity to ensure height dimensions are correct for water supply lines and waste drain.

LEG INSTALLATION

- Carefully place vanity on its back side to expose the underside/bottom of the vanity.
- Threaded mounting holes for supplied screws are installed on both sides of the vanity.
- Vanity legs are screwed in place with the supplied screws on each side.
NOTE: Ensure that the outer edges of each leg do not protrude beyond the sides of the vanity once installed.
- Continue to mount vanity as per steps for "Vanity Installation".

In the United States:

DXV
One Centennial Avenue
Piscataway, New Jersey 08855
Attention: Director of Customer Care

For residents of the United States, warranty information may also be obtained by calling the following toll free number: (800) 227-2734
www.DXV.com

In Canada:

DXV
5900 Avebury Road
Mississauga, Ontario
L5R 3M3
Canada

Toll Free: 1-800-387-0369
Local: 905-306-1093
Fax: 1-800-395-1498
www.DXV.ca

In Mexico:

DXV
Vía Morelos 330
Col. Santa Clara Coatitla
Ecatepec, Estado de México 55540

Toll Free: 01-800-8391200
www.DXV.mx