

# ST. GEORGE<sup>®</sup>

## LAVATORY WITH CONSOLE



**D19000708.XXX.XXX**

### FEATURES

- Vitreous china
- 8" faucet spread
- Metal stand with functional side towel bars
- Recessed rear overflow
- P-Trap sold separately

### DIMENSIONS

#### NOMINAL DIMENSIONS

23-13/16" x 19-7/8" x 35" (605 x 505 x 889 mm)

#### BOWL INSIDE DIMENSIONS

19-1/8" (486 mm) wide  
12-7/16" (316 mm) front to back  
5-7/8" (150 mm) depth

### COLORS/FINISHES

D19000708.002.415 Canvas White/Chrome  
D19000708.008.415 Canvas White/Polished Nickel  
D19000708.002.071 Biscuit/Chrome  
D19000708.008.415 Biscuit/Polished Nickel

### COMPONENTS

#### D20150008.XXX Lavatory (3 hole)

Canvas White (415)  
Biscuit (071)

#### D19000024.XXX Console (24")

Polished Chrome (100)  
Polished Nickel (008)

#### D35700020.XXX Traditional Decorative P-Trap

(optional component)  
Polished Chrome (100)  
Carbon Bronze (110)  
Brushed Nickel (144)  
Platinum Nickel (150)  
Satin Brass\* (427)

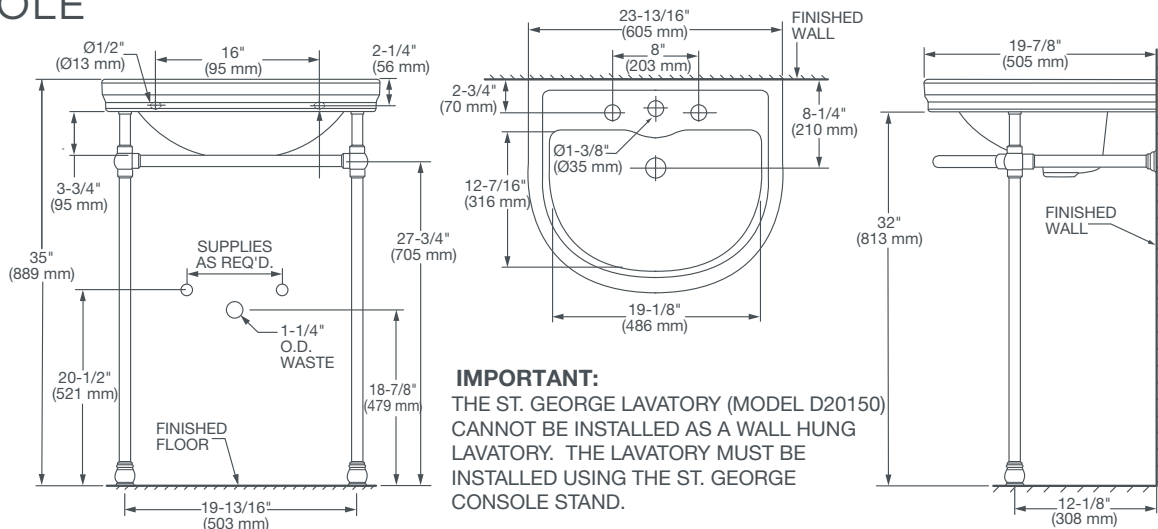
\* Available October 2015

### COMPLIANCE CERTIFICATIONS

Meets or Exceeds ASME A112.19.2/CSA B45.1

ROUGH-IN DIAGRAM, COMPONENTS  
AND REPAIR PARTS SHOWN ON  
NEXT PAGE

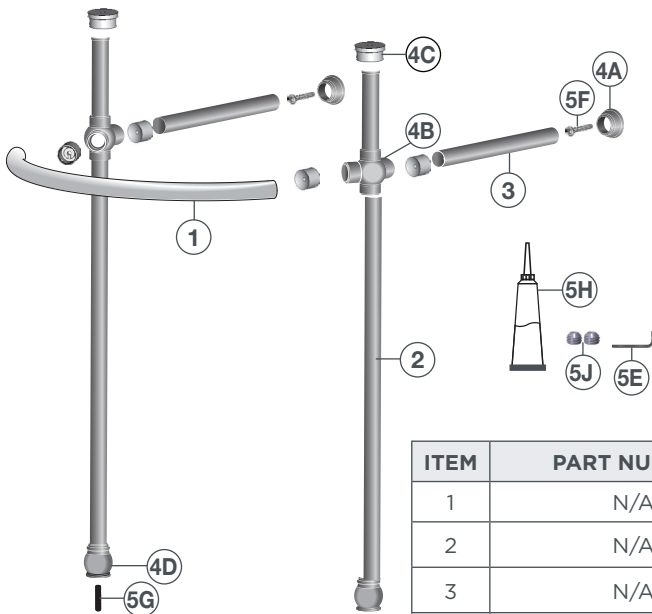
# ST. GEORGE<sup>®</sup> LAVATORY WITH CONSOLE



**NOTES:**

Dimensions shown for location supplies and "P" trap are suggested. Provide suitable reinforcement for all wall supports. Slab/pedestal anchors and mounting features to be furnished by others. Fittings not included with fixture and must be ordered separately. Installation Instructions supplied with lavatory.

Dimensions of fixtures are nominal and may vary within the range of tolerance established by ANSI standards. These measurements are subject to change or cancellation. No responsibility is assumed for use of superseded or voided pages.



ITEM	PART NUMBER	DESCRIPTION
1	N/A	(1) - CURVED TUBE
2	N/A	(1) - LEG — CHROME, NICKEL
3	N/A	(2) - HORIZONTAL SUPPORT TUBES M CHROME, NICKEL
4		DISCREET PARTS 4A (2) - WALL FLANGES 4B (2) - RECEIVERS 4C (2) - CAPS 4D (2) - FOOT FERRULES
5	770199-101.YYY0A	HARDWARE/COMPONENT KIT 5E (1) - ALLEN WRENCH - 3/32" 5F (2) - FLAT HEAD SCREWS - #12 X 2" 5G (2) - STAINLESS STEEL STUDS, 10-32 X 5/8" 5H (1) - TUBE, SILICONE ADHESIVE 5J (12) - STAINLESS STEEL SET SCREWS, (10) - 10-32 X 1/8" (2 - EXTRA SET SCREWS PROVIDED) 5K (1) - PACKET, FLITZ <sup>®</sup> POLISH (NOT SHOWN) 5L (2) - Ø1" O.D. ZINC WASHER/SHIMS (NOT SHOWN)