

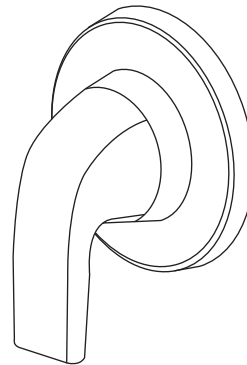
INSTALLATION INSTRUCTIONS



DXV Modulus™ Handle Trim Kit for Straight Wall Valve

Model D35120700

To be used with
D35000710.191 - 1/2" Rough Valve
D35000700.191 - 3/4" Rough Valve



Thank you for selecting DXV. To ensure that your installation proceeds smoothly, please read these instructions carefully before you begin.

RECOMMENDED TOOLS AND MATERIALS

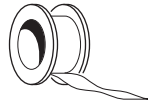
Most of the procedures require the use of common tools and materials, which are available from hardware and plumbing supply stores. It is essential that the tools and materials be on hand before work has begun.



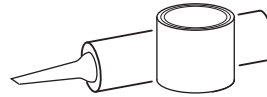
Adjustable Wrench



Channel Locks



Teflon Tape



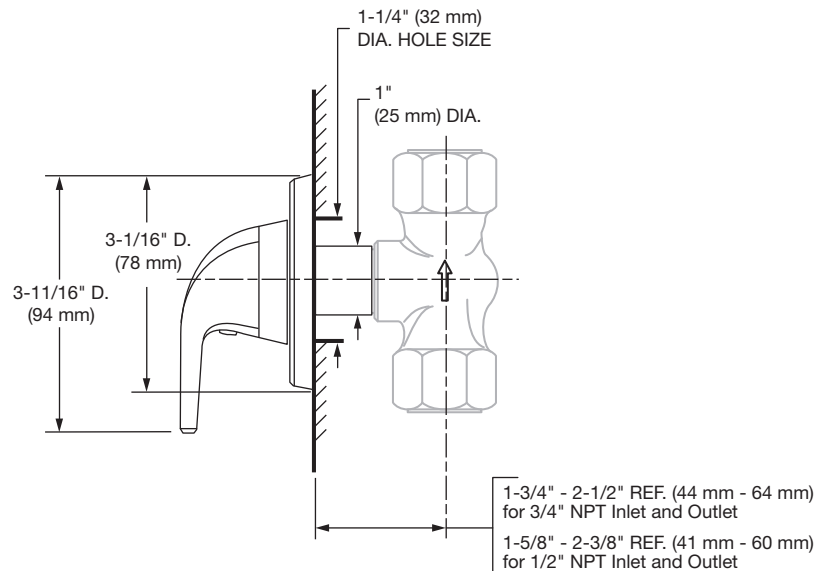
Plumbers' Putty or Caulking



Flat Blade Screwdriver

ROUGHING-IN DIMENSIONS:

- For reference



In the United States:

DXV
One Centennial Avenue
Piscataway, New Jersey 08855
Attention: Director of Customer Care

For residents of the United States, warranty information may also be obtained by calling the following toll free number: (800) 227-2734
www.DXV.com

In Canada:

DXV
5900 Avebury Road
Mississauga, Ontario
L5R 3M3
Canada

Toll Free: 1-800-387-0369
Local: 905-306-1093
Fax: 1-800-395-1498
www.DXV.ca

In Mexico:

DXV
Via Morelos 330
Col. Santa Clara Coatitla
Ecatepec, Estado de México 55540

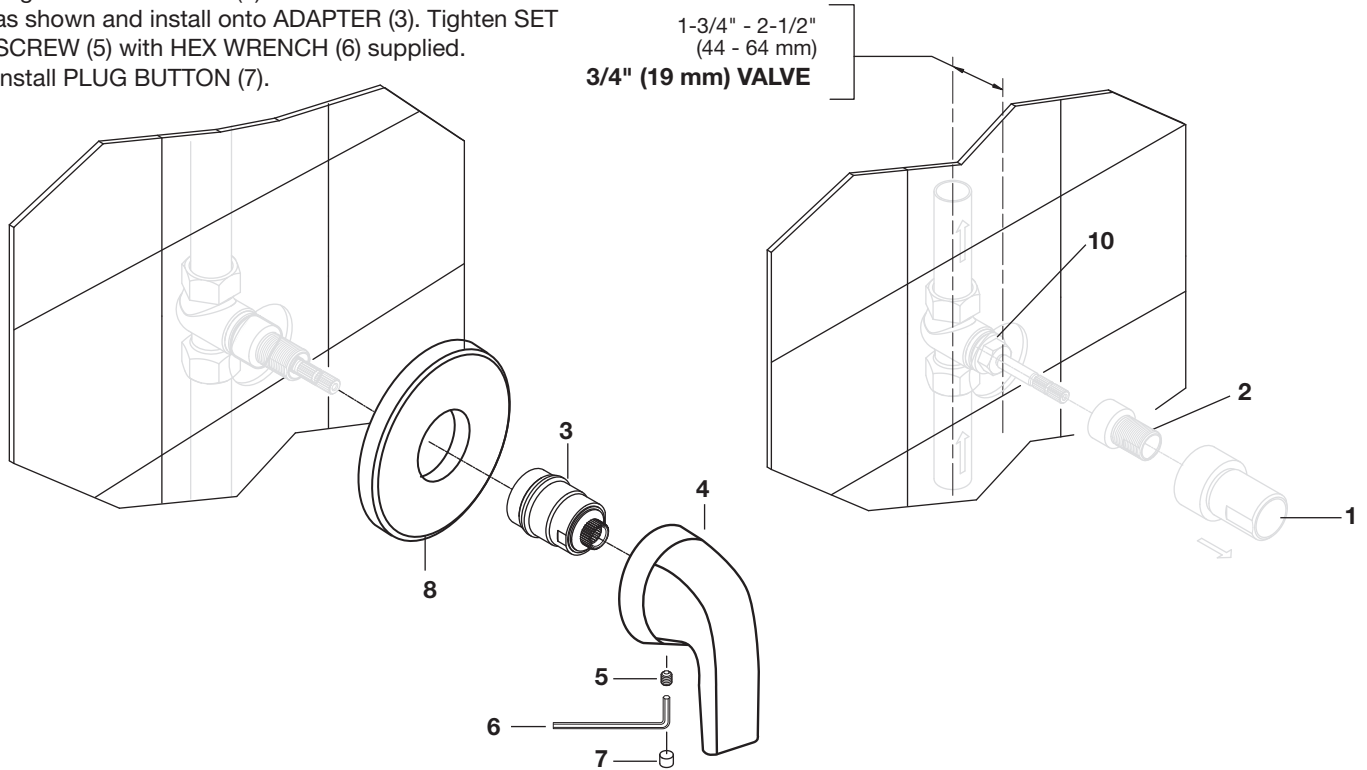
Toll Free: 01-800-8391200
www.DXV.mx

SAVE FOR FUTURE USE

1 INSTALL VALVE TRIM (3/4" VALVES)

CAUTION Turn off hot and cold water supplies before beginning.

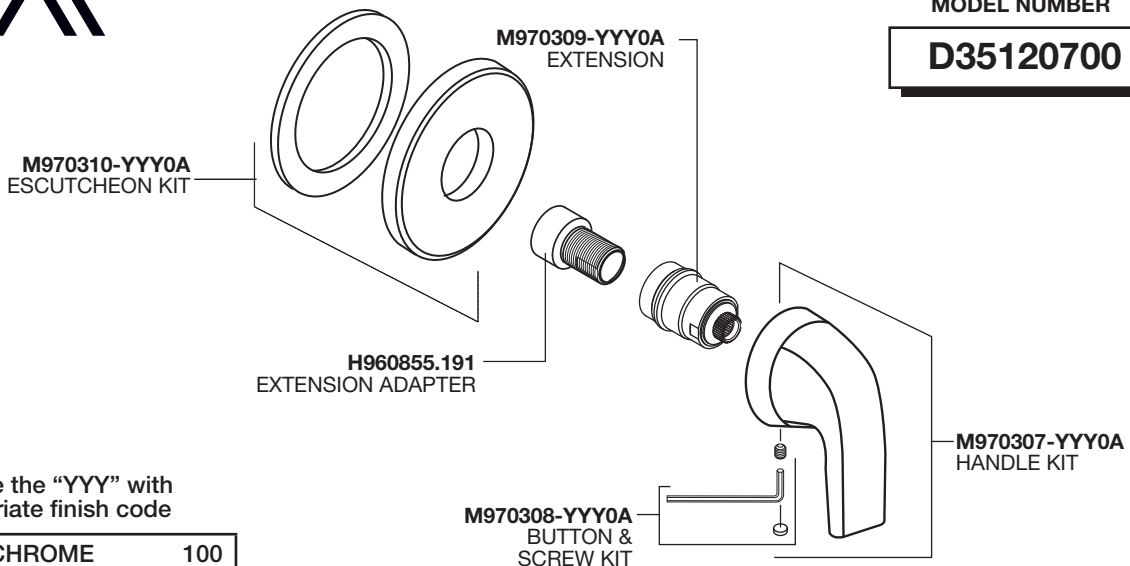
- Twist and pull off PLASTER GUARD (1). (3/4" VALVES)
- Thread ADAPTER (2) onto VALVE (10). Place ESCUTCHEON (8) over ADAPTER (2).
- Thread HANDLE ADAPTER (3) onto ADAPTER (2) until ESCUTCHEON (9) is flush against finished wall. Align LEVER HANDLE (4) as shown and install onto ADAPTER (3). Tighten SET SCREW (5) with HEX WRENCH (6) supplied. Install PLUG BUTTON (7).



DXV Modulus™ Handle Trim Kit for Straight Wall Valves

MODEL NUMBER

D35120700



Replace the "YYY" with appropriate finish code

POLISHED CHROME	100
BRUSHED NICKEL	144
PLATINUM NICKEL	150