

# INSTALLATION INSTRUCTIONS



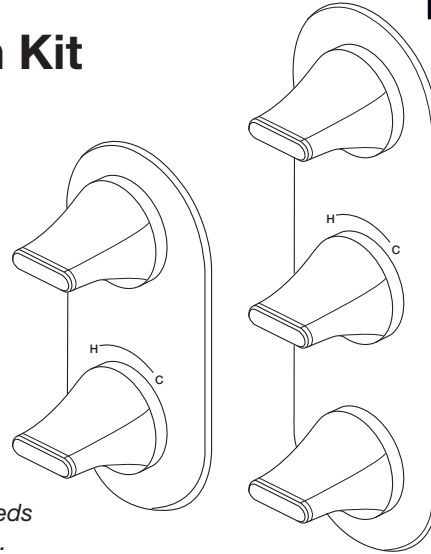
## DXV Modulus™ Thermostatic Mixing Valve Trim Kit

**Model D35120527 — 2 Handles**  
**Model D35120537 — 3 Handles**

To be used with  
**2-Handle Thermostatic Mixing Valve**  
**D35005522.191 / D35005522S.191**  
**D35005523.191 / D35005523S.191**  
**D35005511.191**

**3-Handle Thermostatic Mixing Valve**  
**D35005533.191 / D35005533S.191**  
**D35005532.191**

*Thank you for selecting DXV. To ensure that your installation proceeds smoothly, please read these instructions carefully before you begin.*

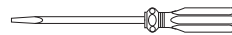


### RECOMMENDED TOOLS AND MATERIALS

Most of the procedures require the use of common tools and materials, which are available from hardware and plumbing supply stores. It is essential that the tools and materials be on hand before work has begun.

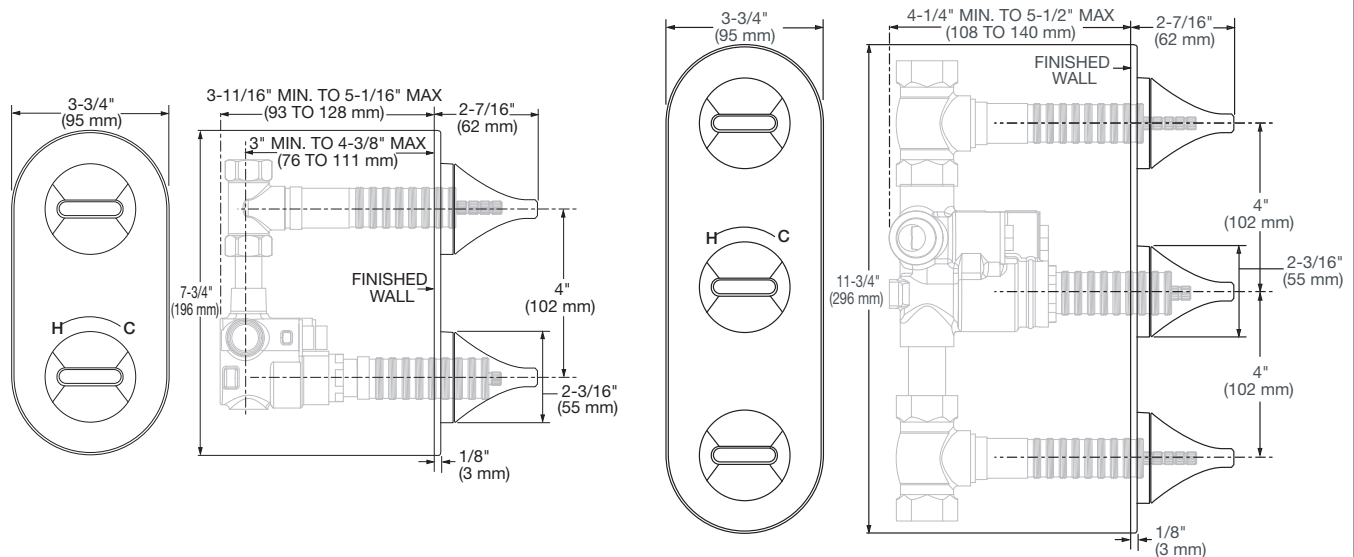


Phillips Screwdriver



Flat Blade Screwdriver

### ROUGH-IN DIMENSIONS



#### In the United States:

DXV  
One Centennial Avenue  
Piscataway, New Jersey 08855  
Attention: Director of Customer Care

For residents of the United States, warranty information may also be obtained by calling the following toll free number: (800) 227-2734  
[www.DXV.com](http://www.DXV.com)

#### In Canada:

DXV  
5900 Avebury Road  
Mississauga, Ontario  
L5R 3M3  
Canada

Toll Free: 1-800-387-0369  
Local: 905-306-1093  
Fax: 1-800-395-1498  
[www.DXV.ca](http://www.DXV.ca)

#### In Mexico:

DXV  
Via Morelos 330  
Col. Santa Clara Coatitla  
Ecatepec, Estado de México 55540

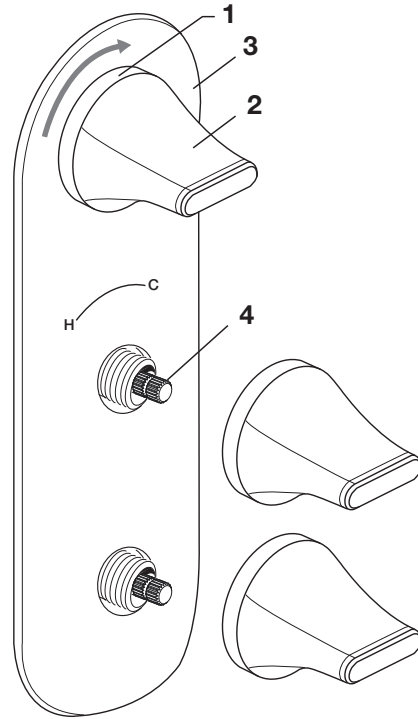
Toll Free: 01-800-8391200  
[www.DXV.mx](http://www.DXV.mx)

SAVE FOR FUTURE USE

# 1 HANDLE INSTALLATION

- Push HANDLE (2) onto SPLINE (4).
- Tighten HANDLE (2) by rotating HANDLE ESCUTCHEON (1) clockwise until flushed against ESCUTCHEON PLATE (3).
- Follow the same steps for other handles.

**NOTE:** Check that the cartridge is in neutral position.



## DXV Modulus™ Thermostatic Mixing Valve Trim Kit

MODEL NUMBERS

**D35120527**  
**D35120537**

Replace the “YYY” with appropriate finish code

POLISHED CHROME	100
BRUSHED NICKEL	144
PLATINUM NICKEL	150

