

INSTALLATION INSTRUCTIONS

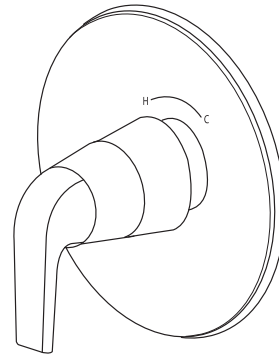


DXV Modulus™ 1/2" (13 mm) & 3/4" (19 mm) Thermostatic Mixing Valve Trim Kit

Model D35120510

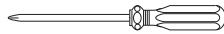
To be used with
D35000510.191 - 1/2" Thermostatic Mixing Valve
D35000530.191 - 3/4" Thermostatic Mixing Valve

Thank you for selecting DXV. To ensure that your installation proceeds smoothly, please read these instructions carefully before you begin.

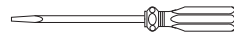


RECOMMENDED TOOLS AND MATERIALS

Most of the procedures require the use of common tools and materials, which are available from hardware and plumbing supply stores. It is essential that the tools and materials be on hand before work has begun.

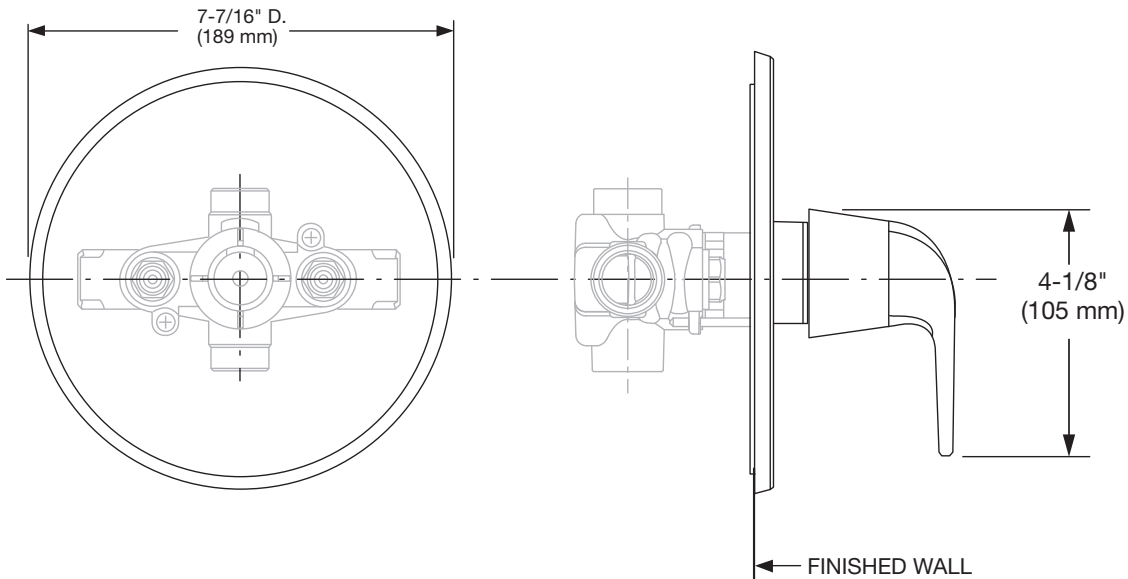


Phillips Screwdriver



Flat Blade Screwdriver

TRIM



SAVE FOR FUTURE USE

In the United States:

DXV
 One Centennial Avenue
 Piscataway, New Jersey 08855
 Attention: Director of Customer Care

For residents of the United States, warranty information may also be obtained by calling the following toll free number: (800) 227-2734
www.DXV.com

In Canada:

DXV
 5900 Avebury Road
 Mississauga, Ontario
 L5R 3M3
 Canada

Toll Free: 1-800-387-0369
 Local: 905-306-1093
 Fax: 1-800-395-1498
www.DXV.ca

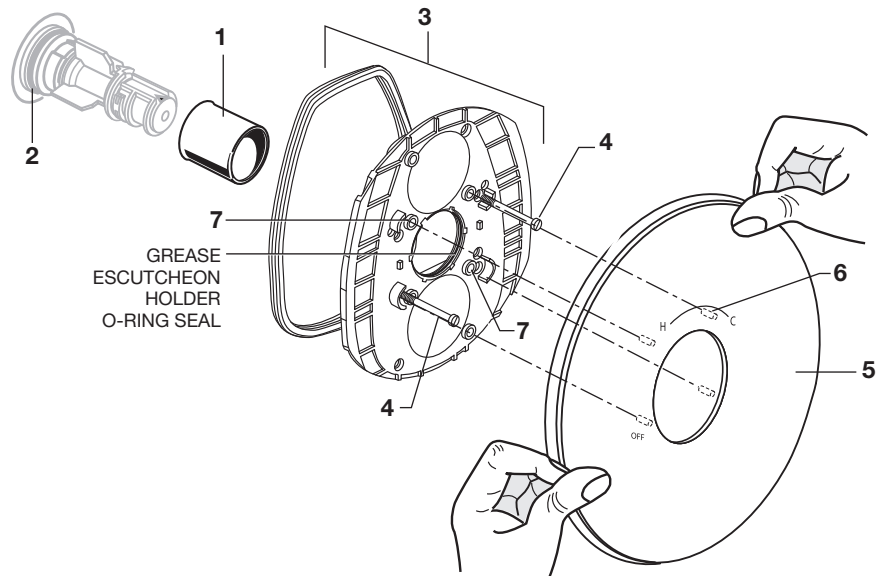
In Mexico:

DXV
 Via Morelos 330
 Col. Santa Clara Coatitla
 Ecatepec, Estado de México 55540

Toll Free: 01-800-8391200
www.DXV.mx

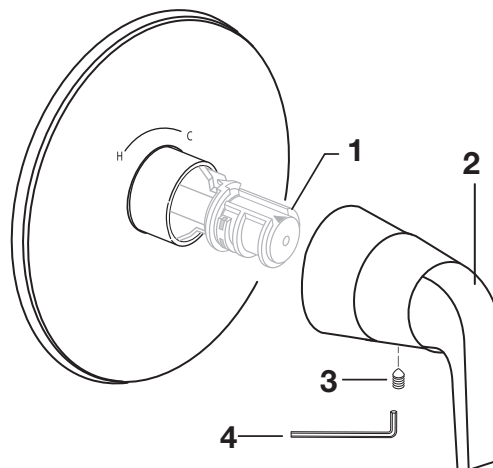
1 TRIM INSTALLATION

- Push CAP (1) over the O-RING SEAL (2).
- Push ESCUTCHEON HOLDER and SEAL (3) with lightly greased O-ring seal over CAP (1) and secure with SCREWS (4).
- Align PINS (6) on back side of ESCUTCHEON (5) with the HOLES (7) in ESCUTCHEON HOLDER (3) and press ESCUTCHEON (5) flush against finished wall.



2 HANDLE INSTALLATION

- Push HANDLE (2) onto KNOB MOUNT (1).
- Tighten SET SCREW (3) with HEX WRENCH (4) to secure HANDLE (2).





DXV Modulus™

1/2" (13 mm) & 3/4" (19 mm)
Thermostatic Mixing
Valve Trim KIT

MODEL NUMBER

D35120510

Replace the "YYY" with
appropriate finish code

POLISHED CHROME	100
BRUSHED NICKEL	144
PLATINUM NICKEL	150

