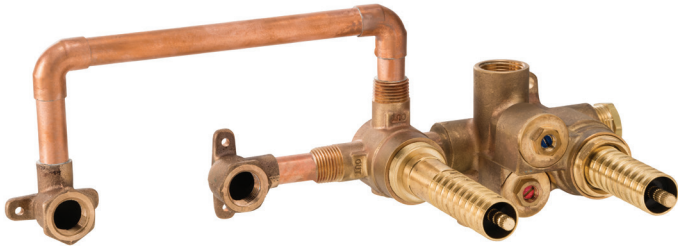


ROUGH

WALL MOUNT TUB FILLER ROUGH VALVE



- Ceramic disc valve cartridge
- Forged brass valve body with built-in check stops
- 2-Way diverter with discrete (non-shared) functions
- 3/4" Wax thermostatic unit permits shuttle valve to move between the hot and cold seats to maintain the preselected constant water temperature
- 3/4" NPT Inlets/1/2" Outlets
- Includes Adjustable Hot Limit Safety Stop
- Maximum temperature limit is 120°F

CODES AND STANDARDS

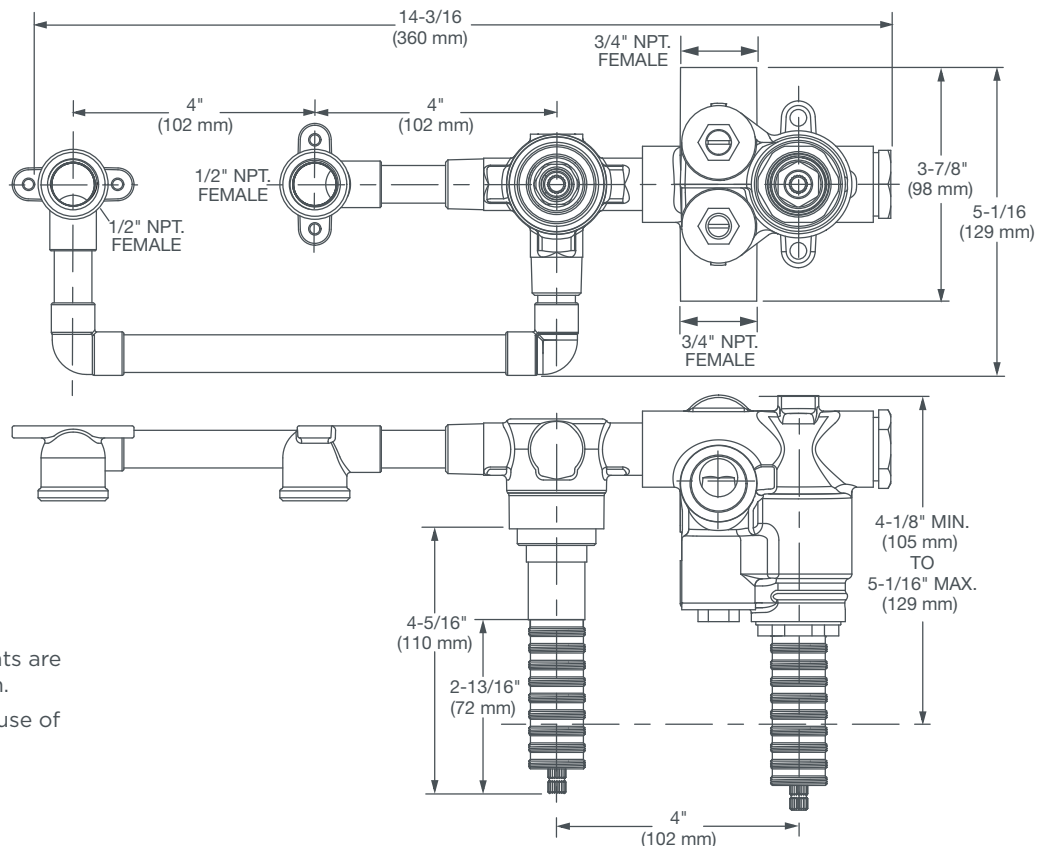
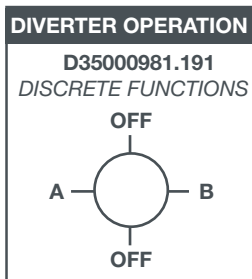
Meets or Exceeds ASME A112.18.1/CSA B125.1/ASSE 1016

DESCRIPTION

Wall Mount Tub Filler
Rough Valve

PRODUCT NUMBER

D35000981.191



IMPORTANT: These measurements are subject to change or cancellation. No responsibility is assumed for use of superseded or voided pages.