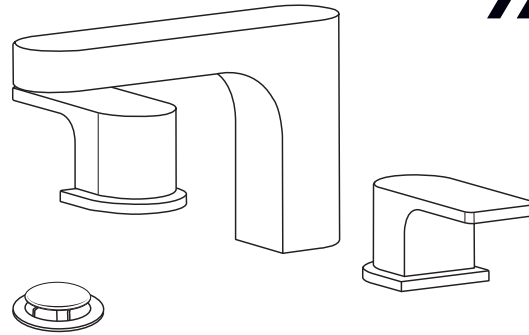


# INSTALLATION INSTRUCTIONS



## Lyndon® Widespread Lavatory Faucet

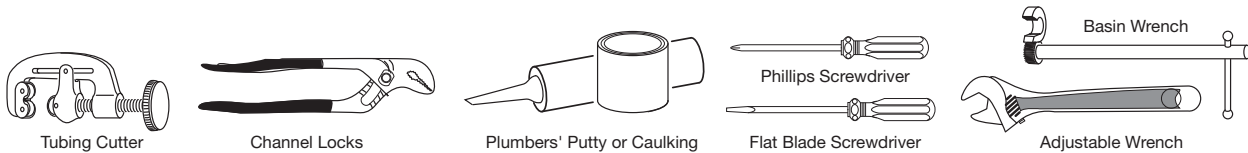
Model D35109800



Thank you for selecting DXV. To ensure that your installation proceeds smoothly, please read these instructions carefully before you begin.

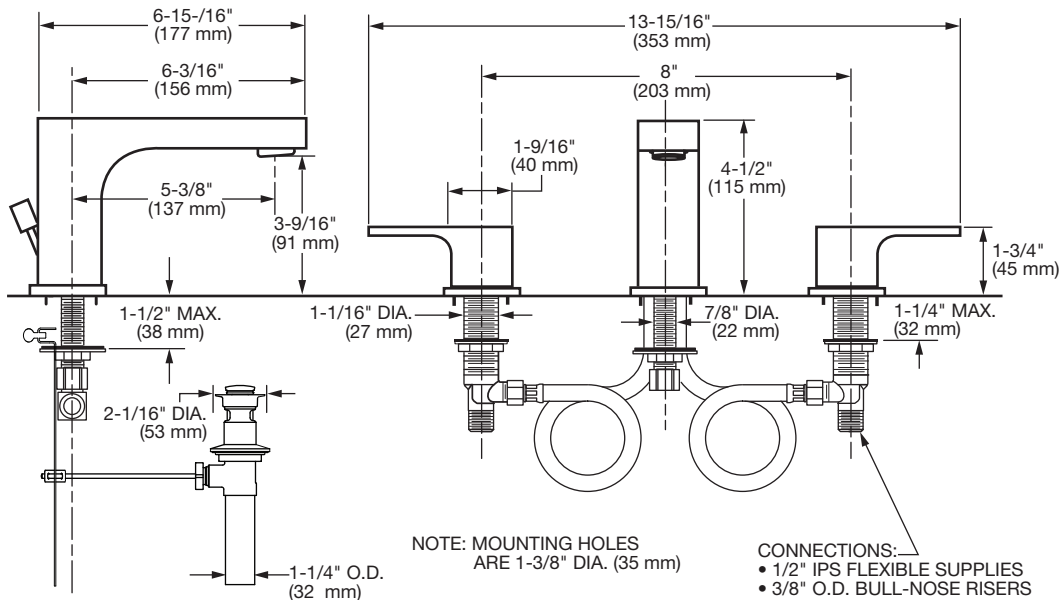
### RECOMMENDED TOOLS AND MATERIALS

Most of the procedures require the use of common tools and materials, which are available from hardware and plumbing supply stores. It is essential that the tools and materials be on hand before work is begun.



### ROUGHING-IN DIMENSIONS:

• For reference



#### In the United States:

DXV  
 One Centennial Avenue  
 Piscataway, New Jersey 08855  
 Attention: Director of Customer Care

For residents of the United States, warranty information may also be obtained by calling the following toll free number: (800) 227-2734  
[www.DXV.com](http://www.DXV.com)

#### In Canada:

DXV  
 5900 Avebury Road  
 Mississauga, Ontario  
 L5R 3M3  
 Canada

Toll Free: 1-800-387-0369  
 Local: 905-306-1093  
 Fax: 1-800-395-1498  
[www.DXV.ca](http://www.DXV.ca)

#### In Mexico:

DXV  
 Via Morelos 330  
 Col. Santa Clara Coatitla  
 Ecatepec, Estado de México 55540

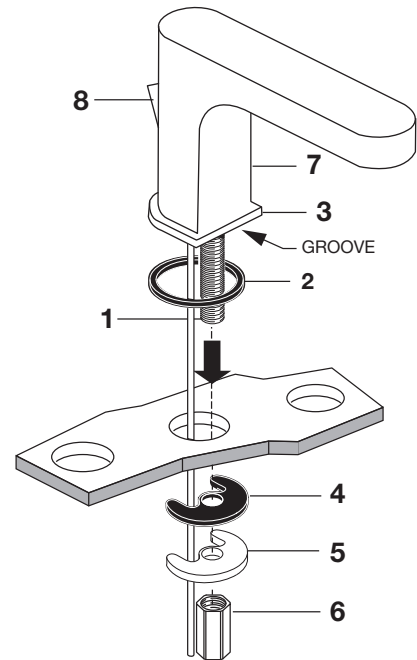
Toll Free: 01-800-8391200  
[www.DXV.mx](http://www.DXV.mx)

SAVE FOR FUTURE USE

## 1 SPOUT ASSEMBLY

**CAUTION** Turn off hot and cold water supplies before beginning.

- Insert SPOUT SHANK (1) through center hole of sink or mounting surface. Make sure RUBBER WASHER (2) is seated into groove in SPOUT ESCUTCHEON BASE (3).
- Assemble RUBBER WASHER (4), BRASS WASHER (5) and LOCKNUT (6) onto threads of SPOUT SHANK (1) from underside of lavatory or mounting surface.
- Align SPOUT (7) and tighten LOCKNUT (6). Insert LIFT ROD (8) through SPOUT (7).

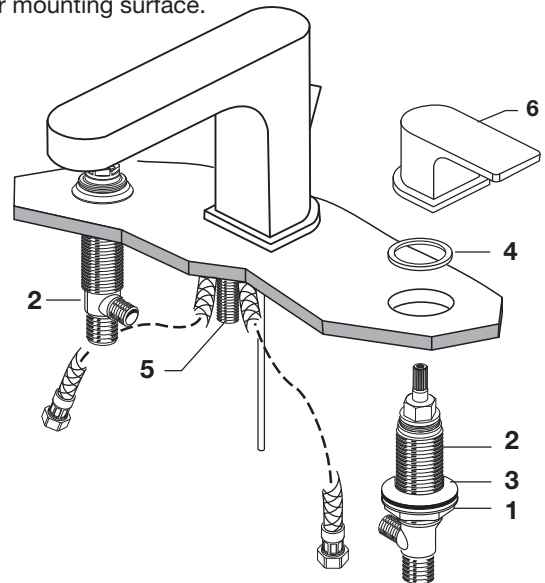
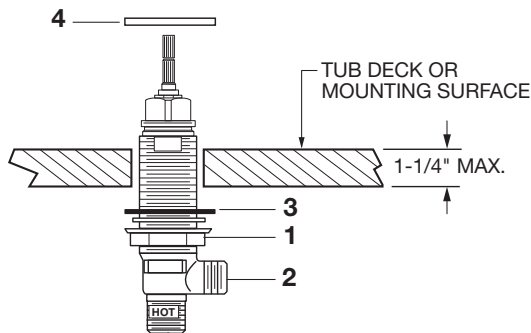


## 2 REMOVE HANDLE ASSEMBLIES FROM VALVE BODIES

- Thread LOCKNUT (1) to bottom of VALVE BODY (2). Make sure RUBBER WASHER (3) is installed. Insert VALVE BODY (2) through mounting hole from underside of lavatory or mounting surface.

**Note: VALVE BODY marked Hot is installed in the left mounting hole, VALVE BODY marked Cold in the right when facing front of fitting. Maximum mounting surface thickness is 1-1/4".**

- From top install SPACER (4) and HANDLE (6) onto VALVE BODY (2). Set VALVE BODIES (2) so that their outlets are facing toward SHANK (5) and then tighten LOCKNUT (1) using wrench or other appropriate wrench to secure VALVE BODIES (2) to mounting surface.



## 3 INSTALL HANDLES AND SUPPLY HOSES

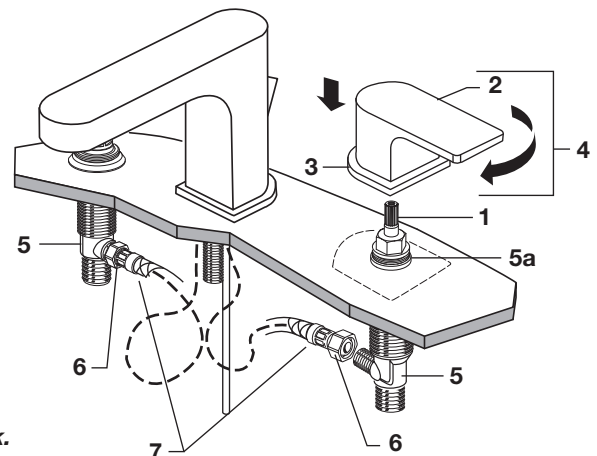
### INSTALL HANDLES

- Turn VALVE STEMS (1) to off position. Align LEVERS (2) as shown or as desired and install HANDLE ASSEMBLY (4) onto VALVE STEM (1).
- Thread HANDLE BASE (3) clock-wise onto VALVE BODY THREADS (5a) until seated tightly against mounting surface and aligned with the dotted line in the illustration.

### INSTALL SUPPLY HOSES

- Thread supply hose COUPLING NUTS (6) onto outlets on VALVE BODIES (5). Tighten with an adjustable wrench making a water tight connection.

**Important: Loop SUPPLY HOSES (7) as illustrated so they do not kink.**



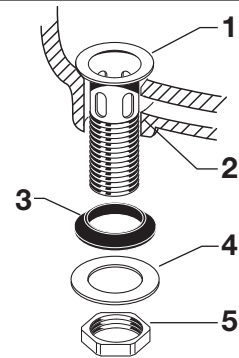
## 4 INSTALL POP-UP DRAIN

- Apply a bead of putty to underside of FLANGE (1).



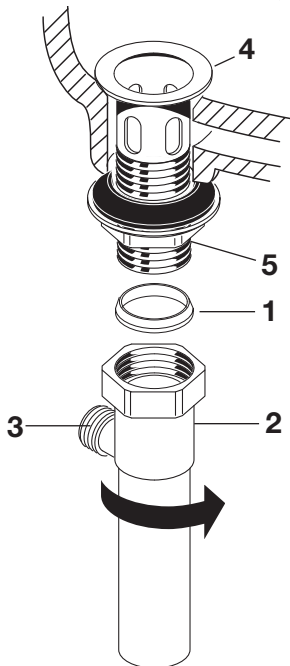
### 4a

- Drop FLANGE (1) into LAVATORY DRAIN (2). From below assemble RUBBER GASKET (3), METAL WASHER (4) and LOCK NUT (5). Do not tighten.



### 4b

- Place SEAL (1) with small end facing up into TAILPIECE (2) and tighten against DRAIN BODY (4). PIVOT ROD (3) opening in TAILPIECE (2) should face the rear of the lavatory. Tighten LOCK NUT (5) with channel locks. Do not over tighten.



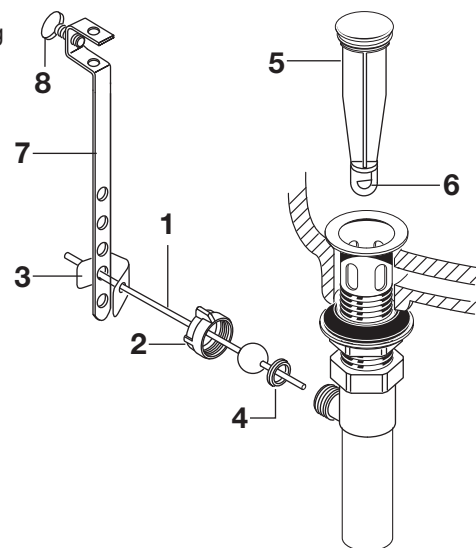
### 4c

- Assemble PIVOT ROD (1), PIVOT NUT (2), CLIP (3) and SEAL (4) as shown. Hand tighten PIVOT NUT (2). Drop STOPPER (5) into drain. (For vandal proof drain rotate stopper so PIVOT ROD (1) goes through EYE (6) of STOPPER (5). Make connection to "P" TRAP.

- Remove one end of CLIP (3) from PIVOT ROD (1) by squeezing ends together while sliding.

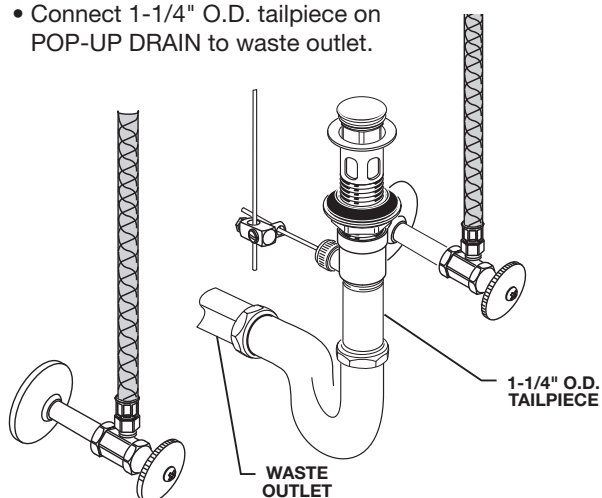
- Insert PIVOT ROD (1) into second or third hole in EXTENSION (7) and reassemble CLIP (3). (EXTENSION (7) may need to be bent.)

- Adjust STOPPER (5) height by repositioning EXTENSION (7) and tightening THUMBSCREW (8).



## 5 CONNECT DRAIN

- Connect 1-1/4" O.D. tailpiece on POP-UP DRAIN to waste outlet.

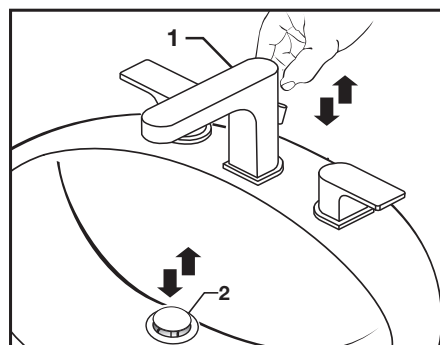


## 6

### CHECK OPERATION OF POP-UP

- Operate LIFT KNOB (1) to verify that STOPPER (2) opens and closes.

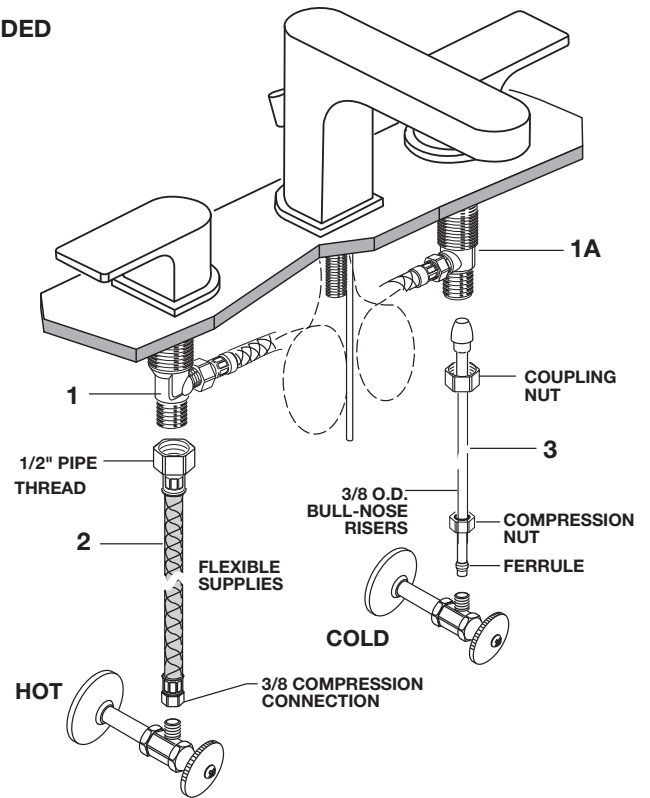
**Note:** If STOPPER (2) does not open and close properly then refer to the "troubleshooting section" of these instructions.



## 6 MAKE WATER SUPPLY AND WASTE CONNECTIONS

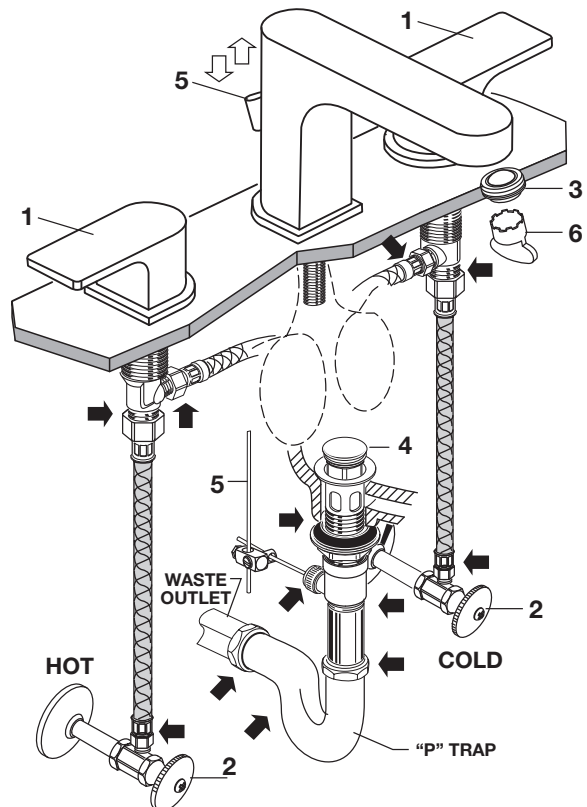
**NOTE: FLEXIBLE SUPPLIES OR BULL-NOSE RISERS NOT INCLUDED AND MUST BE PURCHASED SEPARATELY.**

- Connect water supply to VALVE BODIES (1,1A) with 1/2" IPS FLEXIBLE SUPPLIES (2) or 3/8" O.D. BULL-NOSE RISERS (3). Use adjustable wrench to tighten connections. Do not over tighten. Be careful not to kink copper supply when bending. Use tubing cutter to cut to proper length.
- Connect HOT water supply to inlet of left SHANK and COLD water supply to right SHANK using sealant, appropriate connectors, and COUPLING NUTS.



## 7 TEST INSTALLED FITTING

- With HANDLE (1) in OFF position, turn on WATER SUPPLIES (2) and check all connections for leaks. ➡
- Remove AERATOR (3) using KEY (6).
- Operate HANDLES (1) to flush water lines thoroughly.
- Replace AERATOR (3) and tighten.



## 8 CHECK DRAIN CONNECTIONS

- Operate POP-UP KNOB (5) and fill SINK with water. Check that DRAIN STOPPER (4) makes a good seal and retains water in Sink. If DRAIN STOPPER (4) does not seal properly, please refer to "Troubleshooting Guide" in these instructions.
- Push POP-UP KNOB (5) down and check all drain connections and "P" trap for leaks. ➡ Tighten if necessary.

# DXV

## Lyndon® Widespread Lavatory Faucet

MODEL NUMBERS

**D35109800**

Replace the "YYY" with appropriate finish code

POLISHED CHROME	100
BRUSHED NICKEL	144
PLATINUM NICKEL	150
MATTE BLACK	243

