

INSTALLATION INSTRUCTIONS



DXV Modulus™ Lavatory

21" Model D21040021 Series

36" Model D21045036 Series

55" Model D21060055 Series

36" Model D21050036 Series— Concrete

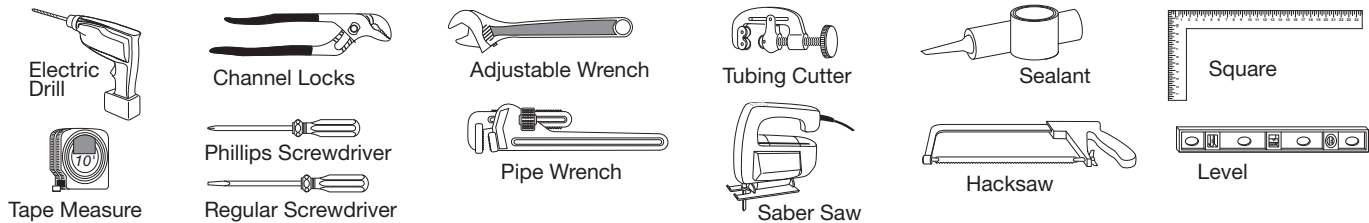
Thank you for selecting DXV. To ensure this product is installed properly, please read these instructions carefully before you begin. (Certain installations may require professional help.) Also be sure your installation conforms to local codes.

⚠ CAUTION: PRODUCT IS FRAGILE. TO AVOID BREAKAGE AND POSSIBLE INJURY HANDLE WITH CARE!

NOTE: Pictures may not exactly define contour of china and components.

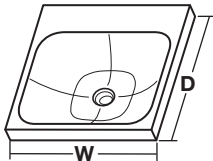
RECOMMENDED TOOLS AND MATERIALS

Most of the procedures require the use of common tools and materials, which are available from hardware and plumbing supply stores. It is essential that the tools and materials be on hand before work has begun.



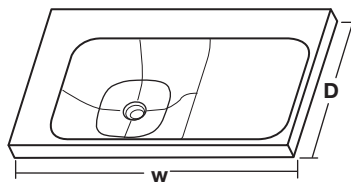
LAVATORY MODELS

21" Model D21040021 Series



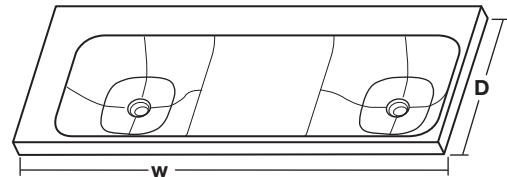
D: 21" (533 mm)
W: 21" (533 mm)

36" Model D21045036 Series



D: 21" (533 mm)
W: 36" (914 mm)

55" Model D21060055 Series



D: 21" (533 mm)
W: 55" (1397 mm)

REPLACEMENT USE

When replacing an original unit be sure to shut off water supply before removing the lavatory or disconnecting water supply lines and drain fittings. Original supplies and shutoff valves should be replaced on installation.

INSTALLATION PROCEDURES

Typical installation includes cabinet support preparation, installation of faucet and pop-up drain, connection of flexible water supply lines, attachment of lavatory to cabinet, sizing and installation of drain and water supplies.

In the United States:

DXV
One Centennial Avenue
Piscataway, New Jersey 08855
Attention: Director of Customer Care

For residents of the United States, warranty information may also be obtained by calling the following toll free number: (800) 227-2734
www.DXV.com

In Canada:

DXV
5900 Avebury Road
Mississauga, Ontario
L5R 3M3
Canada

Toll Free: 1-800-387-0369
Local: 905-306-1093
Fax: 1-800-395-1498
www.DXV.ca

In Mexico:

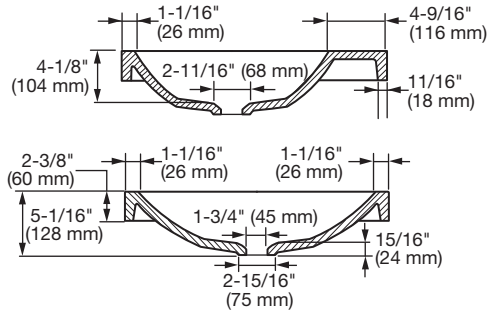
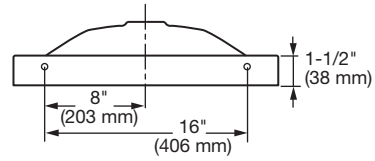
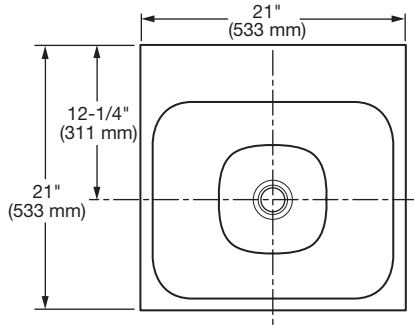
DXV
Via Morelos 330
Col. Santa Clara Coatitla
Ecatepec, Estado de México 55540

Toll Free: 01-800-8391200
www.DXV.mx

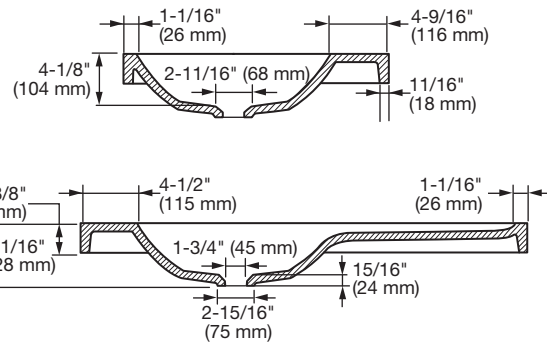
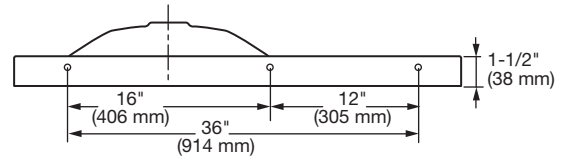
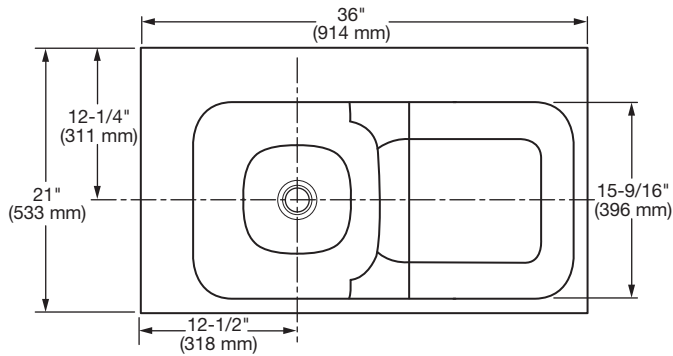
SAVE FOR FUTURE USE

ROUGHING-IN DIMENSIONS:

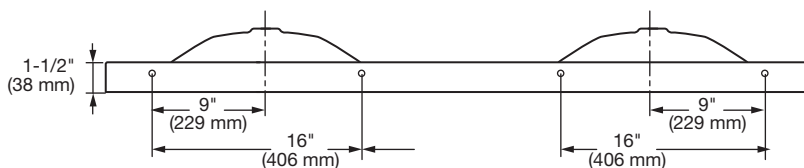
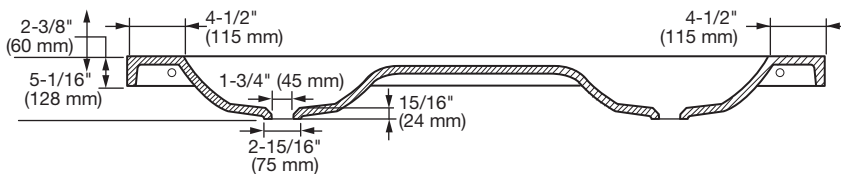
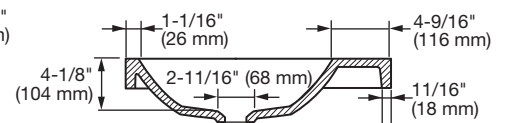
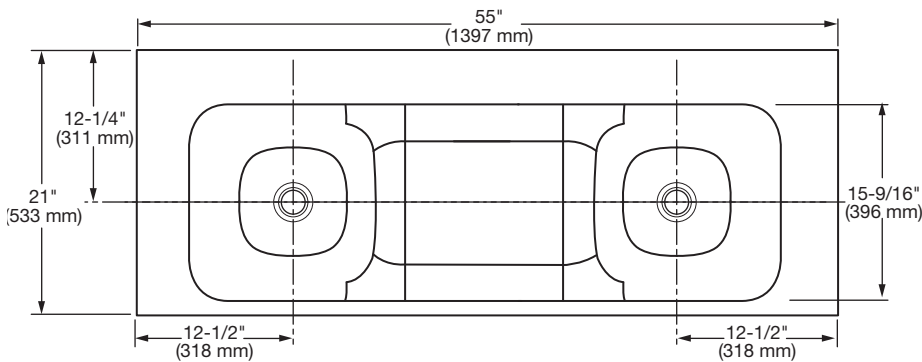
21" Model #D21040021 Series



36" Model #D21045036 Series



55" Model #D21060055 Series



I LAVATORY INSTALLATION (SLAB MOUNTED):

1. Place template on top of slab and against back of wall surface. **Figure A.**
Note: Carefully position the template so the center line of the lavatory drain outlet is directly in line with the center line of P trap in the wall.

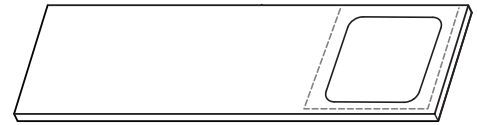


Figure A.

2. Trace a line following the bowl cutout area of the template.
3. Drill a hole approximately 5/8" in diameter on the inner side of the oval, then use a Saber saw to cut along the line.

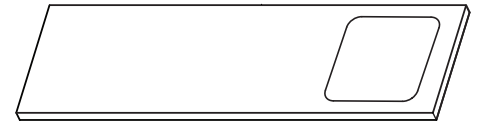


Figure B.

4. Carefully remove all the slab material required to place the bowl section of the lavatory into the slab. **Figure B.**

5. Place lavatory into cut out hole of slab insuring it sits on only the flat surface areas of the lavatory and not any of the contoured bowl sections. Also insure lavatory can fit snug up against the surface of the wall. **Figure C.**

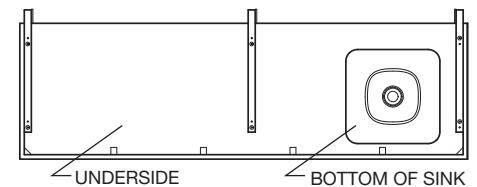


Figure C.

6. Remove the lavatory and place a bead of adhesive on the underside of all four sides of the lavatory and a few dabs of adhesive on the back side of the lavatory that will contact the wall. **Figure D.**

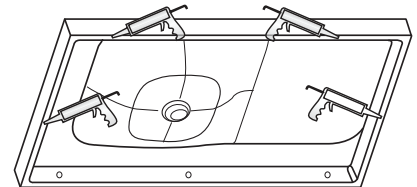


Figure D.

7. Carefully place the lavatory into the opening of the slab insuring the back side securely contacts the wall and press down firmly.

NOTE: Clean off any excess adhesive that comes out immediately after lavatory is properly in place.

8. Follow up with a small bead of silicon caulking around all outer edges of the lavatory to prevent water from weeping under the lavatory. **Figure E.**

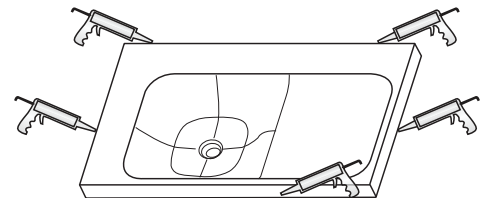


Figure E.

9. Connect the P-Trap drain and water connections to shut off valves. Turn water supply ON. **Figure F.**

NOTE: If water faucet is an "In Wall" installation or installed within the wall above the lavatory, connection of P-Trap drain is only required.

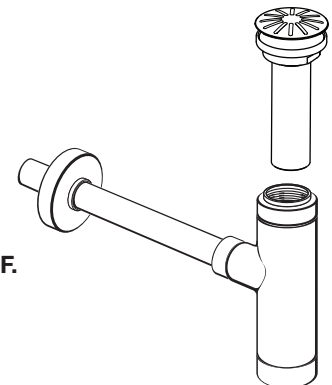


Figure F.

II LAVATORY INSTALLATION (VANITY MOUNTED):

1. Place lavatory on top of vanity and insure lavatory is level. **Figure A.**

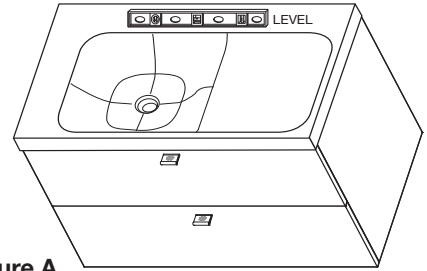


Figure A.

2. Remove top drawer and mark wall where mounting screws will go through the rear of lavatory then remove lavatory. **Figure B.**

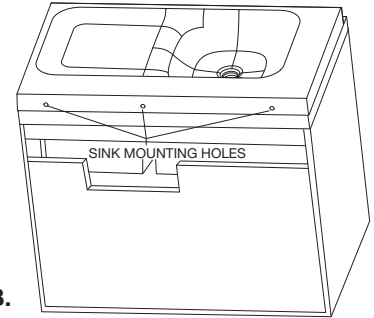


Figure B.

3. Predrill or install plastic anchors into wall where screws will go.

NOTE: Place lavatory back onto vanity and insure rear mounting holes of lavatory line up with mounting holes in the wall.

4. Apply adhesive on all four sides of the vanity and place lavatory on top of vanity. Press lavatory down firmly against the frame of the vanity and install the rear mounting screws. **Figure C.**

NOTE: Clean off any excess adhesive that comes out immediately after lavatory is properly in place.

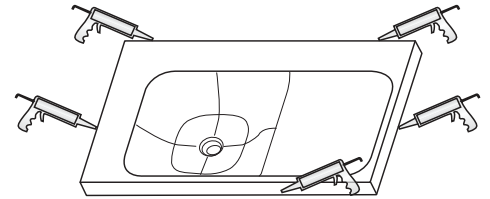


Figure C.

5. Place a small bead of silicone caulking around the rear portion of the lavatory that comes in contact with the wall to prevent water from seeping in. **Figure D.**

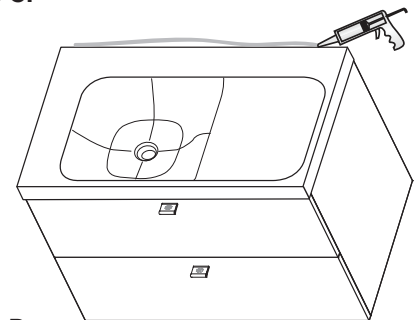


Figure D.

6. Connect the P-Trap drain and water connections to shut off valves insuring they stay clear or between the opening inside the vanity drawer. **Figure E.**

NOTE: If water faucet is an "In Wall" installation or installed within the wall above the lavatory, connection of the P-trap drain is only required.

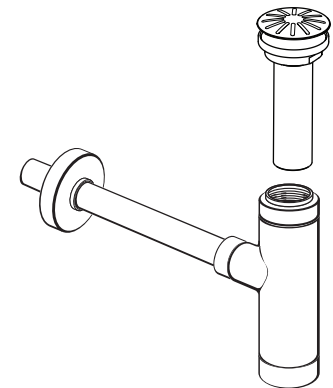


Figure E.