



# DXV MODULUS™

## 36" WALL-MOUNTED DRAWER UNIT



**D19025036.414**

### FEATURES

- Space-saving design offers a clean, streamlined look with logo
- Nubuck leather tab handle included
- Oak veneered Medium-density fiberboard (MDF) material
- Slow-close hardware
- Integrated dividers for enhanced organization and storage
- Includes mounting brackets

### DIMENSIONS

#### NOMINAL DIMENSIONS

36" x 21" x 8-9/16" (914 x 533 x 218 mm)

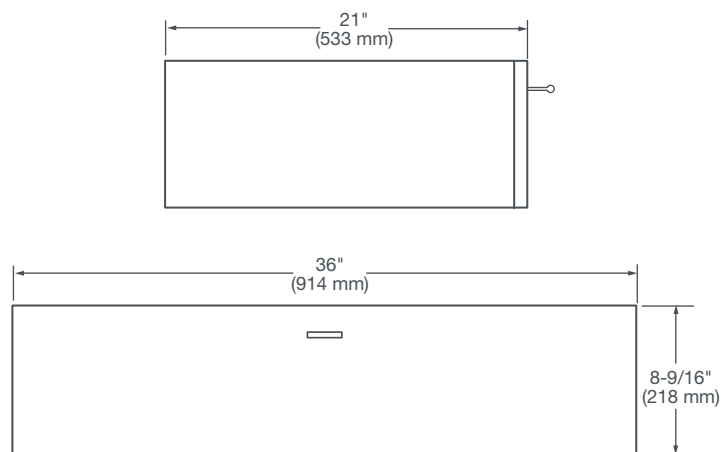
### COLORS/FINISHES

Natural Oak (414), Canvas White (415), Nubuck (437)

### COMPONENTS

770242-201.437 Leather Tab Handle

D1906000.415 Vanity Tray



### NOTES:

Installation Instructions supplied with unit.

### IMPORTANT:

Dimensions of fixtures are nominal and may vary within the range of tolerance established by ANSI standards. These measurements are subject to change or cancellation. No responsibility is assumed for use of superseded or voided pages.

PART OF **LIXIL**