

# INSTALLATION INSTRUCTIONS



## DXV Modulus™ Wall-Hung Drawer Unit

### Model D19025036 Series

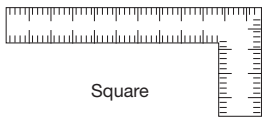
Thank you for selecting DXV. To ensure this product is installed properly, please read these instructions carefully before you begin. (Certain installations may require professional help.) Also be sure your installation conforms to local codes.

To maintain the beauty of the finish, avoid placing the furniture in direct sunlight, as sunlight causes fading. Also avoid extreme changes in temperature by arranging furniture away from radiators, heat and air vents, and air conditioning units. Avoid placing furniture directly under windows.

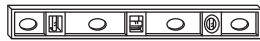
**⚠ CAUTION: PRODUCT IS FRAGILE. TO AVOID BREAKAGE AND POSSIBLE INJURY HANDLE WITH CARE!**

#### RECOMMENDED TOOLS AND MATERIALS

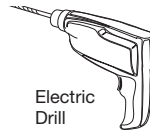
Most of the procedures require the use of common tools and materials, which are available from hardware and plumbing supply stores. It is essential that the tools and materials be on hand before work has begun.



Square



Level



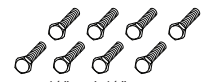
Electric Drill



Tape Measure



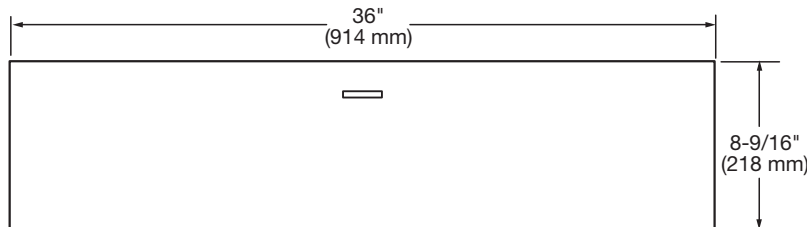
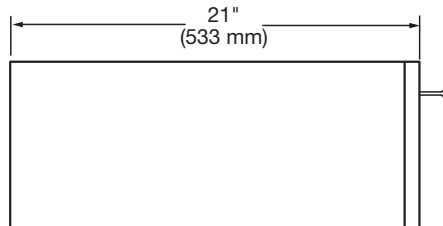
#10 x 2" Flat Phillips Screws



1/4" x 1 1/2" Lag Screw

#### ROUGHING-IN DIMENSIONS:

- For reference



#### In the United States:

DXV  
One Centennial Avenue  
Piscataway, New Jersey 08855  
Attention: Director of Customer Care

For residents of the United States, warranty information may also be obtained by calling the following toll free number: (800) 227-2734  
[www.DXV.com](http://www.DXV.com)

#### In Canada:

DXV  
5900 Avebury Road  
Mississauga, Ontario  
L5R 3M3  
Canada

Toll Free: 1-800-387-0369  
Local: 905-306-1093  
Fax: 1-800-395-1498  
[www.DXV.ca](http://www.DXV.ca)

#### In Mexico:

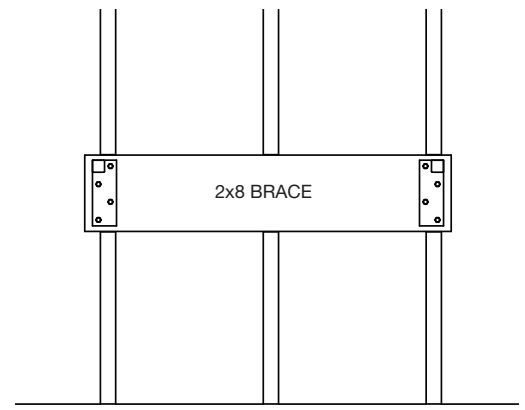
DXV  
Via Morelos 330  
Col. Santa Clara Coatitla  
Ecatepec, Estado de México 55540

Toll Free: 01-800-8391200  
[www.DXV.mx](http://www.DXV.mx)

S A V E F O R F U T U R E U S E

## DRAWER INSTALLATION

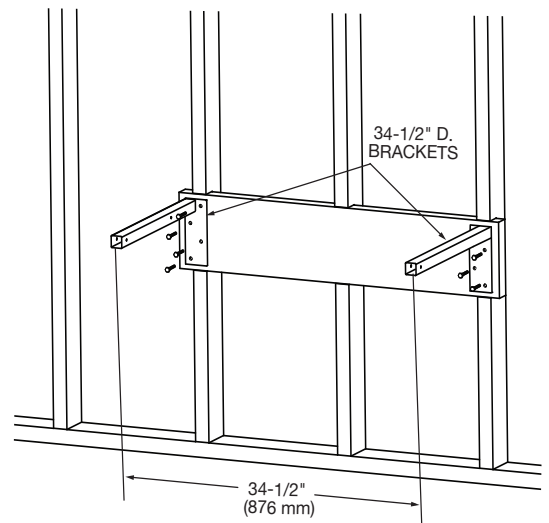
- Studded walls must be exposed for installation of brackets.
- Provide suitable 2x8 horizontal brace at least 36" long, notched and flush to exposed studs where the drawer will be mounted. **Figure 1.**



**Figure 1.**

**NOTE:** Remove bracket mounting screws to remove brackets from drawer.

- Brackets must be spaced at 34-1/2" apart on the 2x8 horizontal brace and level. Mark these hole locations on the 2x8. **Figure 2.**
- Drill 3-32" pilot holes for each of the holes where the 1/4 x 1-1/2" Lag Screws will go.
- Install each bracket using the 1/4 x 1-1/2" Lag Screws ensuring the brackets are level and at the required 34-1/2" distance from each other.



**Figure 2.**

- Finish covering the wall with waterproof drywall.  
**Do not cover the brackets mounting base area.**
- Unpack unit carefully, taking care not to damage the corners, unit is heavy.
- Remove the drawer from the cabinet by rotating the plastic clips underneath the drawer rails, then pull drawer off the rails.
- Place the cabinet section of the drawer into the mounting brackets and ensure the cabinet sits flush against the surface of the wall.
- Drill a 1/8" pilot hole through each of the brackets holes into the wooden cabinet.

### **CAUTION: DO NOT DRILL THROUGH THE SIDE OF THE CABINET!**

- Use a #10 x 1-3/4" wood (preferably MDF) screws to attach the cabinet to the bracket.
- Place the drawer back onto the cabinet rails and latch the plastic clips back into place to secure the drawer to the cabinet rails.