



AMERICAN STANDARD

LYNDON™ WALL MOUNT FAUCET



- Ceramic disc valve cartridge
- Distinct handle design
- Lead Free—faucet contains $\leq 0.25\%$ total lead content by weighted volume
- Maximum flow rate: 1.5 GPM (7.5L/min)

CODES AND STANDARDS

Meets or Exceeds ASME A112.18.1/
CSA B125.1/NSF 61/Section 9

EPA WaterSense® High Efficiency
Lavatory Faucet Specification

Certified Compliant with 0.25% Weighted
Average Lead Content Regulations

AVAILABLE FINISHES

- Polished Chrome
- Brushed Nickel
- Matte Black

FINISH CODE

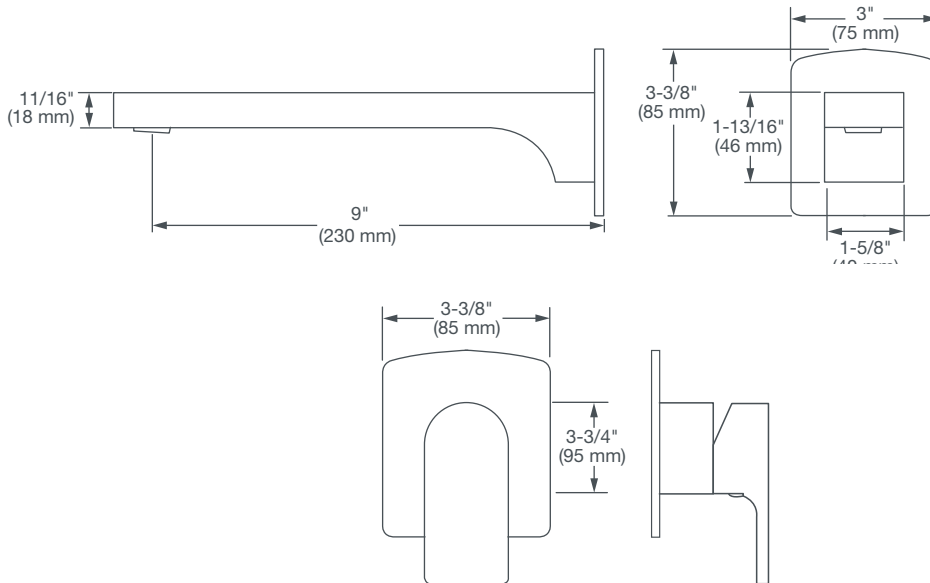
- 100
- 144
- 243

DESCRIPTION

Wall Mount Faucet

PRODUCT NUMBER

D35109400.XXX



IMPORTANT: These measurements are subject to change or cancellation.
No responsibility is assumed for use of superseded or voided pages.